

**PLEASE CHECK WWW.MOLEX.COM FOR LATEST PART INFORMATION**

**Part Number:** [0681451221](#)  
**Status:** **Active**  
**Description:** 2.50mm (.098") Pitch Wire-to-Board Header, 1.02mm (.040") Tab Type, Vertical, 12 Circuits, Gray

**Documents:**

[3D Model](#) [Product Specification PS-68145-002 \(PDF\)](#)  
[Drawing \(PDF\)](#) [RoHS Certificate of Compliance \(PDF\)](#)

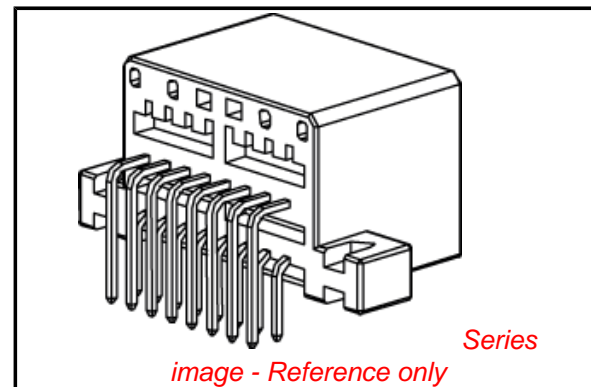
**General**

Product Family	PCB Headers
Series	<a href="#">68145</a>
Application	Wire-to-Board
Product Name	N/A

**Physical**

Breakaway	No
Circuits (Loaded)	12
Circuits (maximum)	12
Color - Resin	Black
Durability (mating cycles max)	50
First Mate / Last Break	No
Glow-Wire Compliant	No
Guide to Mating Part	No
Keying to Mating Part	None
Lock to Mating Part	Yes
Material - Metal	Brass
Material - Plating Mating	Tin
Material - Plating Termination	Tin
Material - Resin	Polyester
Number of Rows	2
Orientation	Vertical
PC Tail Length (in)	0.157 In
PC Tail Length (mm)	4.00 mm
PCB Locator	Yes
PCB Retention	Yes
PCB Thickness Recommended (in)	0.047 In
PCB Thickness Recommended (mm)	1.20 mm
Packaging Type	Tray
Pitch - Mating Interface (in)	0.098 In
Pitch - Mating Interface (mm)	2.50 mm
Pitch - Term. Interface (in)	0.098 In
Pitch - Term. Interface (mm)	2.50 mm
Plating min: Mating (µin)	32
Plating min: Mating (µm)	0.8
Plating min: Termination (µin)	32
Plating min: Termination (µm)	0.8
Polarized to Mating Part	Yes
Polarized to PCB	No
Shrouded	Closed Ends
Stackable	No
Surface Mount Compatible (SMC)	No
Temperature Range - Operating	-30°C to +85°C
Termination Interface: Style	Through Hole

**Electrical**



**EU RoHS**

**ELV and RoHS  
Compliant**  
**REACH SVHC**  
 Not Reviewed  
**Halogen-Free  
Status**

**China RoHS**



**Need more information on product  
environmental compliance?**

Email [productcompliance@molex.com](mailto:productcompliance@molex.com)  
 For a multiple part number RoHS Certificate of Compliance, [click here](#)

Please visit the [Contact Us](#) section for any non-product compliance questions.

**Search Parts in this Series**

[68145Series](#)

**Mates With**

[64002](#) Crimp Housing. [35563](#) Crimp Housing

Current - Maximum per Contact  
Voltage - Maximum

5A  
13V DC (RMS)

**Material Info**

**Reference - Drawing Numbers**

Product Specification  
Sales Drawing

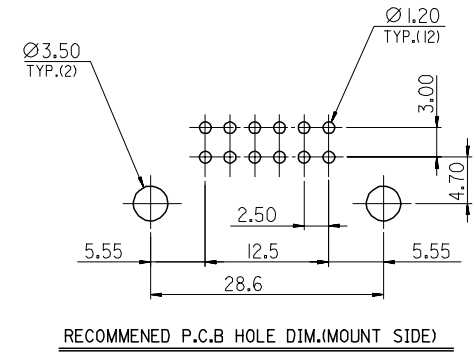
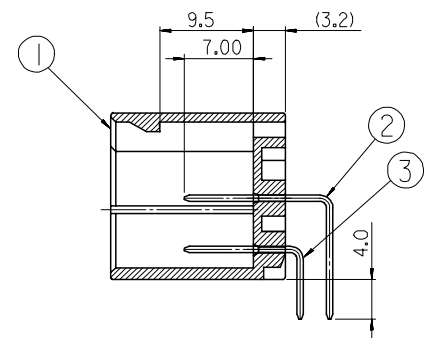
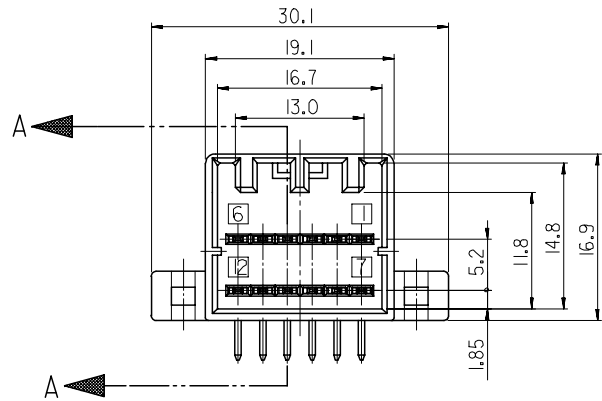
PS-68145-002  
SD-68145-312

This document was generated on 04/07/2010

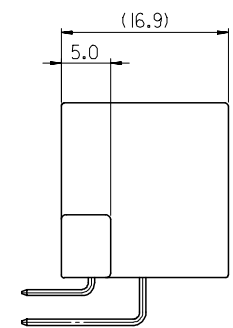
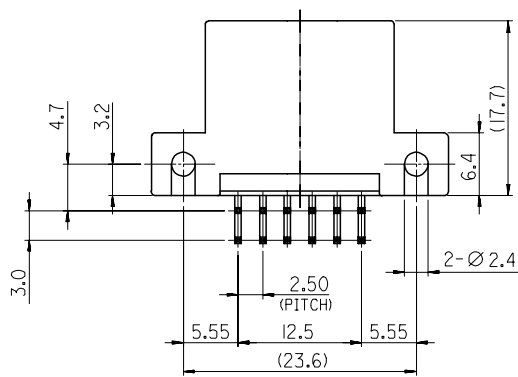
**PLEASE CHECK [WWW.MOLEX.COM](http://WWW.MOLEX.COM) FOR LATEST PART INFORMATION**

DO NOT SCALE DRAWING DIMENSION IN METRIC  
 PROJECT NO.  
 SIMILAR ITEM  
 DWG. NO. SD-68145-312

NO.	PART NO.	COLOR
1	68145-1221	BLACK
2	68145-1225	GRAY
3	68145-1226	WHITE



SECTION A-A



NOTES

1. APPLICABLE FEMALE HOUSING : 64002-121\*

NO.	DESCRIPTION	MATERIAL	REMARK
①	HOUSING	PBT, G/F 15%	UL94HB
②	PIN(L)	BRASS	PRE-TIN PLATED
③	PIN(S)		

ADDED OF PART EC NO. KOR2006-0147 DRWN:EOJKIM 06/06/01 CHK:BC YOON 06/06/01 APPR:SHLCHOI 06/06/01	QUALITY SYMBOLS MAJOR CRITICAL	GENERAL TOLERANCES: (UNLESS SPECIFIED)		SCALE 2:1	DESIGN UNITS <input checked="" type="checkbox"/> mm <input type="checkbox"/> INCH	THIRD ANGLE PROJECTION	DIMENSIONS: <input type="checkbox"/> mm <input type="checkbox"/> INCH <input type="checkbox"/> mm <input checked="" type="checkbox"/> ONLY		SHT	REV	
		4 PLACES	±0.	±.	DRAWN BY & DATE B.C.YOON 02/07/12		TITLE: .040 WIRE TO BOARD CONNECTOR 12P HEADER ASS'Y-R/A(HZT)				
		3 PLACES	±0.	±.	CHECKED BY & DATE Y.SIK.KIM 02/07/12						
		2 PLACES	±0.25	±.	APPROVED BY & DATE C.W.LEE 02/07/12		MOLEX INCORPORATED MATERIAL NO. SEE TABLE DRAWING NO. SD-68145-312 SHEET NO. 1 OF 1				
1 PLACE	±0.30	±.	ANGULAR: ± 1 °		THIS DRAWING CONTAINS INFORMATION THAT IS PROPRIETARY TO MOLEX INCORPORATED AND SHOULD NOT BE USED WITHOUT WRITTEN PERMISSION.						
B REV	DESCRIPTION	DRAFT WHERE APPLICABLE MUST REMAIN WITHIN DIMENSIONS		THIS DRAWING CONTAINS INFORMATION THAT IS PROPRIETARY TO MOLEX INCORPORATED AND SHOULD NOT BE USED WITHOUT WRITTEN PERMISSION.							SIZE B