

**PLEASE CHECK WWW.MOLEX.COM FOR LATEST PART INFORMATION**

**Part Number:** [0885234500](#)  
**Status:** **Active**  
**Overview:** [fiber optic product families](#)  
**Description:** SC/APC-to-SC/APC, Singlemode, 9/125µm/G652, Simplex, 3.00mm (.118"), Standard Fiber Optic Cable Assembly, 1.0m (3.28' )

**Documents:**

[Drawing \(PDF\)](#) [RoHS Certificate of Compliance \(PDF\)](#)

**General**

Product Family	Fiber Optic Assemblies
Series	<a href="#">88523</a>
Connector to Connector	SC/APC-to-SC/APC
Mode	Singlemode
Overview	<a href="#">fiber optic product families</a>
Product Name	SC

**Physical**

Cable Length	1.0m (3.28' )
Cable Size	3.00mm (.118")
Fiber (Core/Cladding)	9/125µm/G652
Single Ended	No
Wire/Cable Type	Simplex

**Material Info**

**Reference - Drawing Numbers**

Sales Drawing	SD-88523-058
---------------	--------------

**EU RoHS**

**ELV and RoHS  
Compliant**  
**REACH SVHC  
Not Reviewed**  
**Halogen-Free  
Status  
Not Reviewed**

**China RoHS**



**Need more information on product environmental compliance?**

Email [productcompliance@molex.com](mailto:productcompliance@molex.com)  
 For a multiple part number RoHS Certificate of Compliance, [click here](#)

Please visit the [Contact Us](#) section for any non-product compliance questions.

**Search Parts in this Series**  
[88523Series](#)

E

D

C

B

A

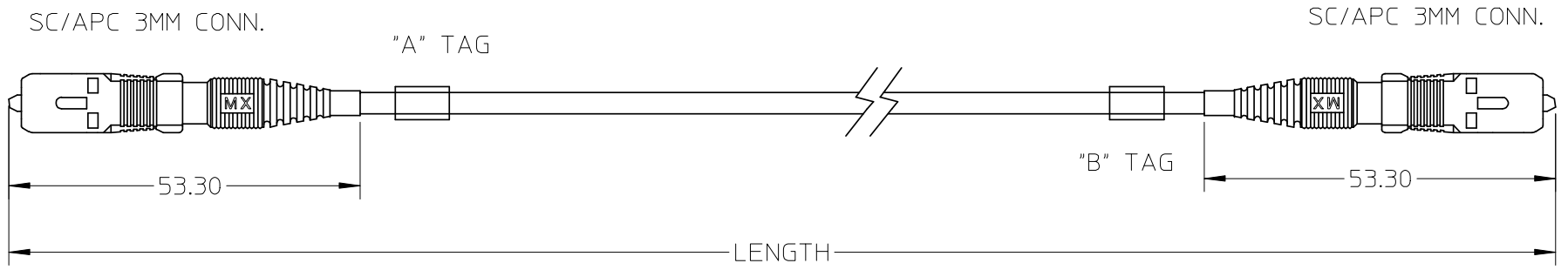
E

D

C

B

A



885234598	SC/APC-SC/APC SIM SM 3MM 1.5M	1500(+150/-0)
885234514	SC/APC-SC/APC SIM SM 3MM 15M	15000(+200/-0)
885234511	SC/APC-SC/APC SIM SM 3MM 12M	12000(+200/-0)
885234509	SC/APC-SC/APC SIM SM 3MM 10M	10000(+200/-0)
885234507	SC/APC-SC/APC SIM SM 3MM 8M	8000(+200/-0)
885234506	SC/APC-SC/APC SIM SM 3MM 7M	7000(+200/-0)
885234504	SC/APC-SC/APC SIM SM 3MM 5M	5000(+200/-0)
885234503	SC/APC-SC/APC SIM SM 3MM 6M	6000(+200/-0)
885234502	SC/APC-SC/APC SIM SM 3MM 3M	3000(+200/-0)
885234501	SC/APC-SC/APC SIM SM 3MM 2M	2000(+200/-0)
885234500	SC/APC-SC/APC SIM SM 3MM 1M	1000(+100/-0)
MX P/N	DESCRIPTION	LENGTH

NOTES:  
 1. DUST CAPS ARE NOT SHOWN  
 2. PER CHANNEL @ 1310nm  
 IL<=0.4dB, RL>60dB

ENTER DESCRIPTION EC NO: DG2008-0155 DRWN:XPCHEN CHKD: APPR: JOWANG	2008/06/13	DESCRIPTION
	2008/06/13	
	2008/06/16	
	REV	

QUALITY SYMBOLS
▽=0
▽=0

GENERAL TOLERANCES (UNLESS SPECIFIED)	DIMENSION STYLE	
	MM ONLY	
	mm	INCH
	4 PLACES	± --- ± ---
	3 PLACES	± --- ± ---
	2 PLACES	± --- ± ---
	1 PLACE	± --- ± ---
	ANGULAR ± --- °	
DRAFT WHERE APPLICABLE MUST REMAIN WITHIN DIMENSIONS		

DRAWN BY	DATE
XP	2008/06/11
CHECKED BY	DATE
LISA	2008/06/11
APPROVED BY	DATE
JOHNNY	2008/06/11
MATERIAL NO.	
SEE TABLE	
SIZE	
A 4	

SCALE	DESIGN UNITS	THIRD ANGLE PROJECTION
---	METRIC	
TITLE		
SC/APC-SC/APC SIM SM 3MM		
MOLEX INCORPORATED		
DOCUMENT NO.	SHEET NO.	
SD-88523-058	1 OF 1	
THIS DRAWING CONTAINS INFORMATION THAT IS PROPRIETARY TO MOLEX INCORPORATED AND SHOULD NOT BE USED WITHOUT WRITTEN PERMISSION		