

**PLEASE CHECK WWW.MOLEX.COM FOR LATEST PART INFORMATION**

**Part Number:** [0885279300](#)  
**Status:** **Active**  
**Overview:** [fiber optic product families](#)  
**Description:** ST-to-ST, Multimode, 50/125µm, Simplex, 3.00mm (.118"), Standard Fiber Optic Cable Assembly, 2.0m (6.56' )

**Documents:**

[Drawing \(PDF\)](#) [RoHS Certificate of Compliance \(PDF\)](#)

**General**

Product Family	Fiber Optic Assemblies
Series	<a href="#">88527</a>
Connector to Connector	ST-to-ST
Mode	Multimode
Obsolete Date	2003/01/01
Overview	<a href="#">fiber optic product families</a>
Product Name	ST

**Physical**

Cable Length	2.0m (6.56' )
Cable Size	3.00mm (.118")
Fiber (Core/Cladding)	50/125µm
Single Ended	No
Wire/Cable Type	Simplex

**Material Info**

**Reference - Drawing Numbers**

Sales Drawing	SD-88527-088
---------------	--------------

**EU RoHS**

**ELV and RoHS**

**Compliant**

**REACH SVHC**

**Not Reviewed**

**Halogen-Free**

**Status**

**Not Reviewed**

**China RoHS**



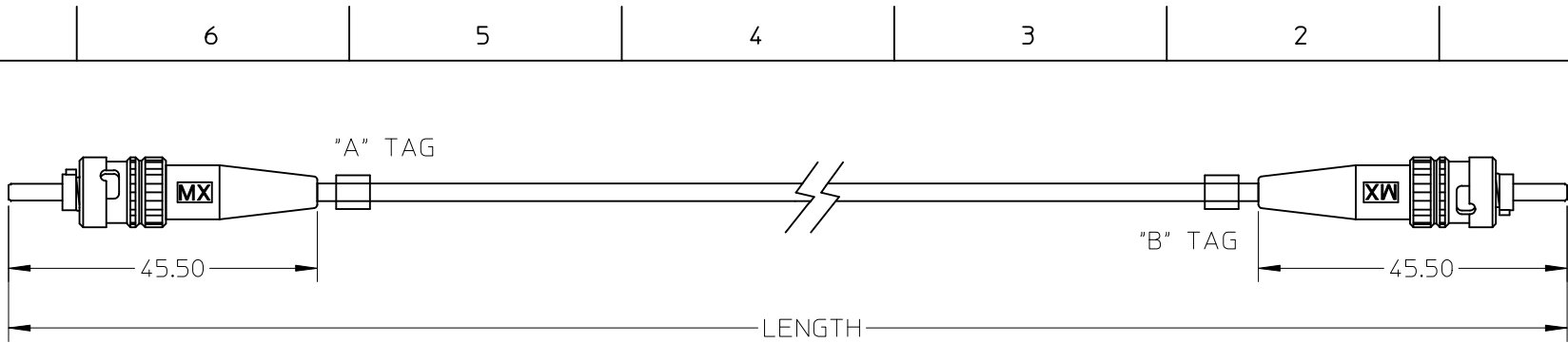
**Need more information on product environmental compliance?**

Email [productcompliance@molex.com](mailto:productcompliance@molex.com)  
 For a multiple part number RoHS Certificate of Compliance, [click here](#)

Please visit the [Contact Us](#) section for any non-product compliance questions.

**Search Parts in this Series**

[88527Series](#)



885279310	ST-ST SIM MM 50/125 3MM 5M	5000(+200/-0)
885279309	ST-ST SIM MM 50/125 3MM 1M	1000(+100/-0)
885279308	ST-ST SIM MM 50/125 3MM 18M	18000(+200/-0)
885279307	ST-ST SIM MM 50/125 3MM 15M	15000(+200/-0)
885279306	ST-ST SIM MM 50/125 3MM 13M	13000(+200/-0)
885279305	ST-ST SIM MM 50/125 3MM 12M	12000(+200/-0)
885279304	ST-ST SIM MM 50/125 3MM 10M	10000(+200/-0)
885279303	ST-ST SIM MM 50/125 3MM 9M	9000(+200/-0)
885279302	ST-ST SIM MM 50/125 3MM 8M	8000(+200/-0)
885279301	ST-ST SIM MM 50/125 3MM 3M	3000(+200/-0)
885279300	ST-ST SIM MM 50/125 3MM 2M	2000(+200/-0)
MX P/N	DESCRIPTION	LENGTH

NOTES:

1. DUST CAPS ARE NOT SHOWN
2. PER CHANNEL @ 850nm  
IL<=0.50dB

<b>ENTER DESCRIPTION</b> EC NO: DG2009-0079 DRWN: XPCHEN CHKD: APPR: JOWANG	<b>QUALITY SYMBOLS</b> =0 =0	<b>GENERAL TOLERANCES (UNLESS SPECIFIED)</b>		<b>DIMENSION STYLE</b> <b>MM ONLY</b>		<b>SCALE</b> ---	<b>DESIGN UNITS</b> <b>METRIC</b>	<b>THIRD ANGLE PROJECTION</b>	
			mm	INCH	<b>DRAWN BY</b> XP	<b>DATE</b> 2008/11/04	<b>TITLE</b> ST-ST SIM MM 50 3MM		
		4 PLACES	±---	±---	<b>CHECKED BY</b> LISA	<b>DATE</b> 2008/11/04			
		3 PLACES	±---	±---	<b>APPROVED BY</b> JOHNNY	<b>DATE</b> 2008/11/04			
			<b>ANGULAR</b> ±----°		<b>MATERIAL NO.</b> <b>ENTER PART</b>	<b>DOCUMENT NO.</b> SD-88527-088	<b>SHEET NO.</b> 1 OF 00		
<b>B</b>	<b>REV</b>	<b>DRAFT WHERE APPLICABLE MUST REMAIN WITHIN DIMENSIONS</b>		<b>SIZE</b> 	<b>THIS DRAWING CONTAINS INFORMATION THAT IS PROPRIETARY TO MOLEX INCORPORATED AND SHOULD NOT BE USED WITHOUT WRITTEN PERMISSION</b>				