

PLEASE CHECK WWW.MOLEX.COM FOR LATEST PART INFORMATION

Part Number: [0908031001](#)
Status: **Active**
Overview: [battery connectors](#)
Description: 4.50mm (.177") Pitch Battery Connector, Through Hole, 4 Circuits

Documents:

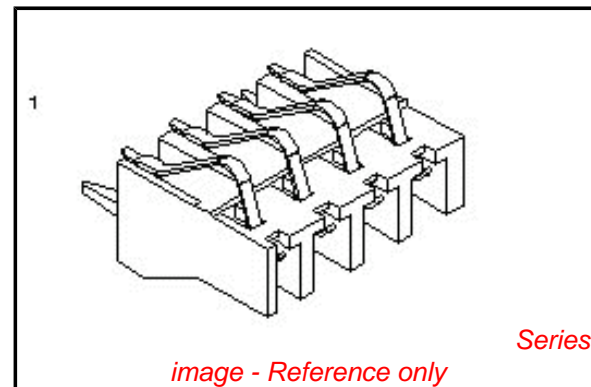
[3D Model](#) [Product Specification PS-90803-1001 \(PDF\)](#)
[Drawing \(PDF\)](#) [RoHS Certificate of Compliance \(PDF\)](#)

General

Product Family	PCB Headers
Series	90803
Application	Board-to-Board
Overview	battery connectors
Product Name	Battery Connector, Compression Connector, One Piece

Physical

Breakaway	No
Circuits (Loaded)	4
Circuits (maximum)	4
Color - Resin	Black
Durability (mating cycles max)	5,000
First Mate / Last Break	No
Glow-Wire Compliant	No
Guide to Mating Part	No
Keying to Mating Part	None
Lock to Mating Part	None
Mated Height (in)	0.591 In
Mated Height (mm)	15.00 mm
Material - Metal	Phosphor Bronze
Material - Plating Mating	Gold
Material - Plating Termination	Tin
Material - Resin	High Temperature Thermoplastic
Number of Rows	1
Orientation	Right Angle
PC Tail Length (in)	0.098 In
PC Tail Length (mm)	2.50 mm
PCB Locator	Yes
PCB Retention	Yes
PCB Thickness Recommended (in)	0.062 In
PCB Thickness Recommended (mm)	1.60 mm
Packaging Type	Tube
Pitch - Mating Interface (in)	0.177 In
Pitch - Mating Interface (mm)	4.50 mm
Plating min: Mating (µin)	5
Plating min: Mating (µm)	0.125
Plating min: Termination (µin)	120
Plating min: Termination (µm)	3
Polarized to Mating Part	No
Polarized to PCB	Yes
Shrouded	No
Stackable	No
Surface Mount Compatible (SMC)	Yes
Temperature Range - Operating	-40°C to +105°C
Termination Interface: Style	Through Hole



EU RoHS

**ELV and RoHS
Compliant**
**REACH SVHC
Contains SVHC: No**
**Halogen-Free
Status**

China RoHS



**Need more information on product
environmental compliance?**

Email productcompliance@molex.com
For a multiple part number RoHS Certificate of Compliance, [click here](#)

Please visit the [Contact Us](#) section for any non-product compliance questions.

Search Parts in this Series
90803Series

Electrical

Current - Maximum per Contact	2A
Voltage - Maximum	15V DC

Solder Process Data

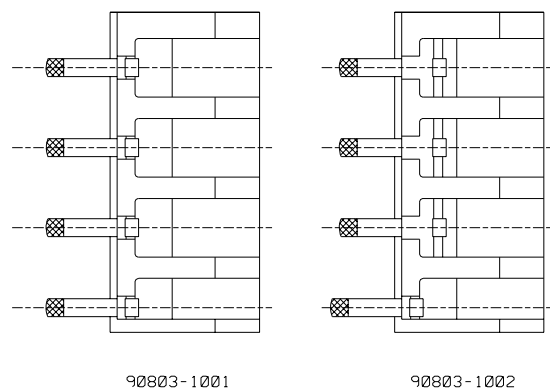
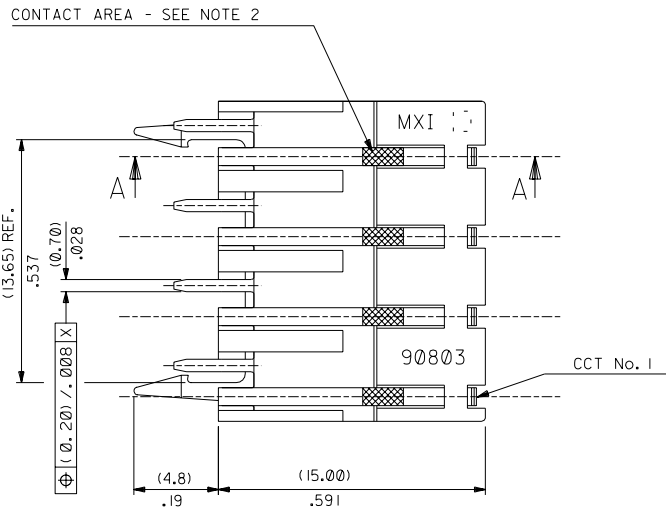
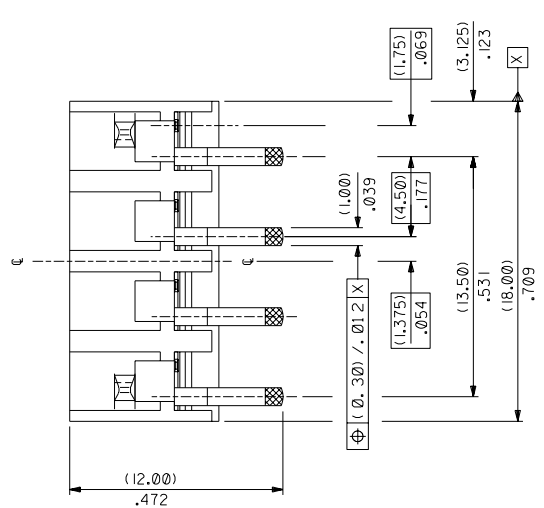
Duration at Max. Process Temperature (seconds)	3
Lead-free Process Capability	Wave Capable (TH only)
Max. Cycles at Max. Process Temperature	1
Process Temperature max. C	260

Material Info**Reference - Drawing Numbers**

Product Specification	PS-90803-1001
Sales Drawing	SDA-90803

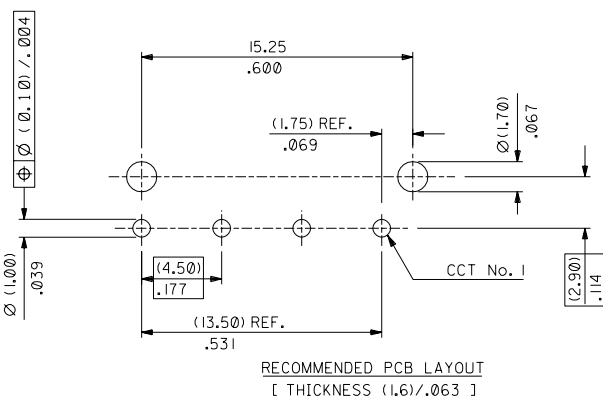
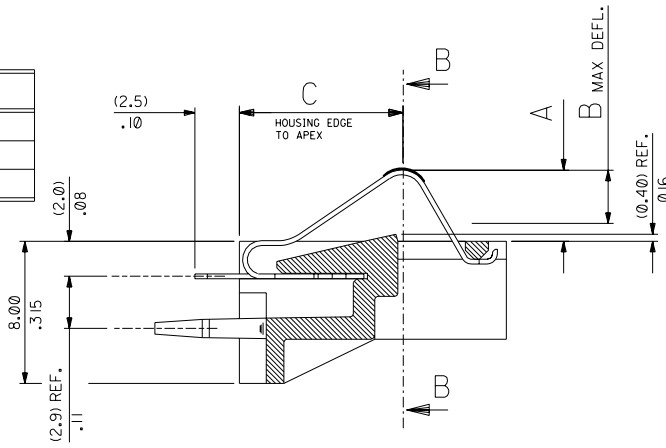
This document was generated on 05/26/2010

PLEASE CHECK WWW.MOLEX.COM FOR LATEST PART INFORMATION

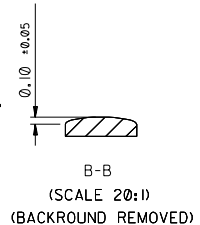


PART NUMBER:	CCT TYPE:	A DIM.	B DIM.	C DIM.
90803-1001	STANDARD	(4.0) / .16	(3.0) / .12	(9.2) / .36
90803-1002	LATE-MATE	(3.5) / .14	(2.5) / .10	(9.5) / .37

PART NUMBER:	CCTS.	LATE-MATE CCT:	QTY PER TUBE
90803-1001	4	NONE	27
90803-1002	4	2, 3, 4	27



- NOTES:**
- HOUSING: GLASS FILLED NYLON 46, RATED UL 94V-0 COLOUR - BLACK
 - TERMINAL: (0.27) / .011 MIN. REF. THICK COPPER ALLOY (PHOS-BRONZE) PLATING: (0.125) / .5 INCH MIN. GOLD FLASH ON (1.0) / .4 INCH MIN. PALLADIUM NICKEL, WITH (1.75) / .7 INCH MIN NICKEL UNDERPLATE, (3-5) / .120-200 INCH TIN IN SOLDER TAIL AREA WITH (1.27) / .5 INCH MIN NICKEL OVERALL
 - PRODUCTS ARE TO BE SUPPLIED IN TUBES



90803-1001 DRAWN FOR CLARITY

REMOVE LEAD FROM PLATING EC NO. E2804-0574 DRWN: DCARTON 11/2/03 CHK: APPR:	DESCRIPTION MAJOR CRITICAL C=	QUALITY SYMBOLS	GENERAL TOLERANCES: (UNLESS SPECIFIED) mm INCH	SCALE 5:1 DRAWN BY & DATE BGB 93/03/12	DESIGN UNITS <input checked="" type="checkbox"/> mm <input type="checkbox"/> INCH	THIRD ANGLE PROJECTION	DIMENSIONS: <input checked="" type="checkbox"/> mm <input type="checkbox"/> INCH <input type="checkbox"/> mm <input type="checkbox"/> INCH	SHT REV REVISE ON CAD ONLY
		4 PLACES ±0. ±. 3 PLACES ±0. ±. 2 PLACES ±0.10 ±. 1 PLACE ±0.20 ±.	CHECKED BY & DATE BGB 93/03/12 APPROVED BY & DATE BGB 93/03/12	TITLE: BATTERY CONNECTOR ASSEMBLY (4.50) / .177 CENTRES	MOLEX INCORPORATED	CAD FILENAME MATERIAL NO. SEE CHART DRAWING NO. SDA-90803 SHEET NO. 1 OF 1		
DRAFT WHERE APPLICABLE MUST REMAIN WITHIN DIMENSIONS		THIS DRAWING CONTAINS INFORMATION THAT IS PROPRIETARY TO MOLEX INCORPORATED AND SHOULD NOT BE USED WITHOUT WRITTEN PERMISSION.			SIZE C			