

PLEASE CHECK WWW.MOLEX.COM FOR LATEST PART INFORMATION

Part Number: [0955012401](#)
Status: **Active**
Overview: [modular_plugs_jacks](#)
Description: Modular Jacks, Low Profile, Trough Hole, 4 Positions, 4 loaded, Tube

Documents:

| | |
|-------------------------------------------------|------------------------------------------------------|
| 3D Model | Product Specification PS-95501 (PDF) |
| Drawing (PDF) | RoHS Certificate of Compliance (PDF) |
| Application Specification (PDF) | |

Agency Certification

UL E107635

General

| | |
|---------------------------|-------------------------------------|
| Product Family | Modular Jacks/Plugs |
| Series | 95501 |
| Component Type | PCB Jack |
| Magnetic | No |
| Overview | modular_plugs_jacks |
| Performance Category | 3 |
| Power over Ethernet (PoE) | N/A |
| Product Name | RJ11 |

Physical

| | |
|--------------------------------|--------------------------------|
| Boot Color | N/A |
| Color - Resin | Black |
| Durability (mating cycles max) | 500 |
| Flammability | 94V-0 |
| Inverted / Top Latch | No |
| Lightpipes/LEDs | None |
| Material - Metal | Phosphor Bronze |
| Material - Plating Mating | Gold |
| Material - Plating Termination | Tin |
| Material - Resin | High Temperature Thermoplastic |
| Orientation | Right Angle (Side Entry) |
| PCB Locator | Yes |
| PCB Retention | Yes |
| PCB Thickness Recommended (in) | 0.063 In |
| PCB Thickness Recommended (mm) | 1.60 mm |
| Packaging Type | Tube |
| Pitch - Mating Interface (in) | 0.040 In |
| Pitch - Mating Interface (mm) | 1.02 mm |
| Pitch - Term. Interface (in) | 0.050 In |
| Pitch - Term. Interface (mm) | 1.27 mm |
| Plating min: Mating (µin) | 50.8 |
| Plating min: Mating (µm) | 1.27 |
| Plating min: Termination (µin) | 76 |
| Plating min: Termination (µm) | 1.9 |
| Ports | 1 |
| Positions / Loaded Contacts | 4/4 |
| Surface Mount Compatible (SMC) | Yes |
| Temperature Range - Operating | -40°C to +80°C |
| Termination Interface: Style | Through Hole |
| Waterproof / Dustproof | No |
| Wire/Cable Type | N/A |

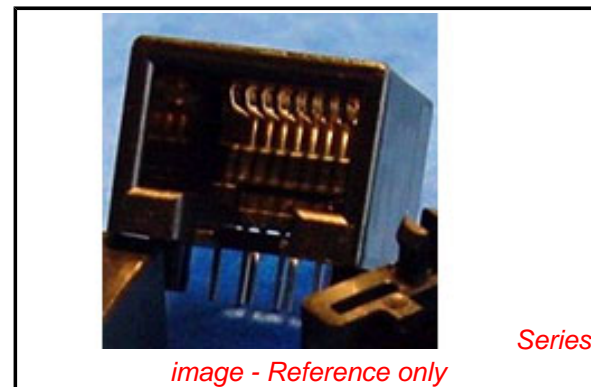


image - Reference only

EU RoHS

**ELV and RoHS
Compliant**
**REACH SVHC
Contains SVHC: No**
**Halogen-Free
Status**

China RoHS



**Need more information on product
environmental compliance?**

Email productcompliance@molex.com
 For a multiple part number RoHS Certificate of
 Compliance, [click here](#)

Please visit the [Contact Us](#) section for any
 non-product compliance questions.

Search Parts in this Series

[95501Series](#)

Mates With

FCC 68 Plugs

Use With

90075

Electrical

| | |
|-------------------------------|---------|
| Current - Maximum per Contact | 1.5A |
| Shielded | No |
| Voltage - Maximum | 125V DC |

Solder Process Data

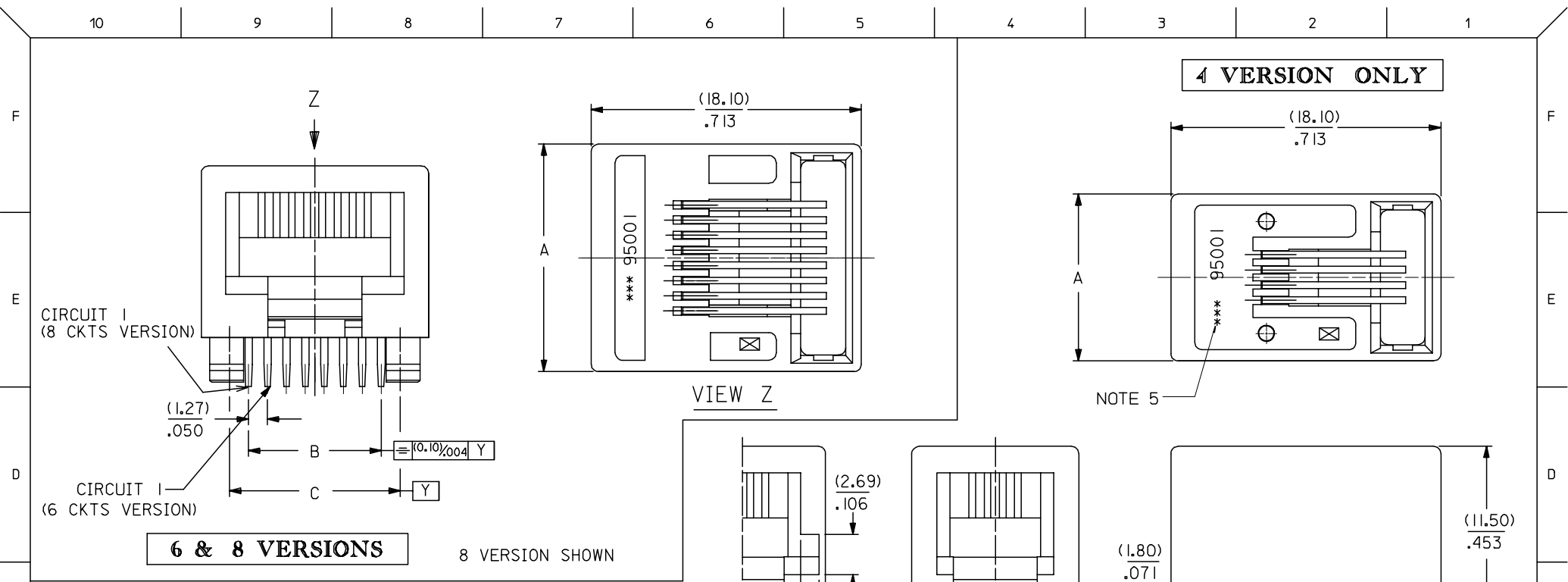
| | |
|------------------------------------------------|------------------------|
| Duration at Max. Process Temperature (seconds) | 45 |
| Lead-free Process Capability | Wave Capable (TH only) |
| Max. Cycles at Max. Process Temperature | 1 |
| Process Temperature max. C | 260 |

Material Info**Reference - Drawing Numbers**

| | |
|-------------------------|--------------|
| Packaging Specification | PK-95001 |
| Product Specification | PS-95501 |
| Sales Drawing | SD-95501-001 |

This document was generated on 06/07/2010

PLEASE CHECK WWW.MOLEX.COM FOR LATEST PART INFORMATION



6 & 8 VERSIONS

8 VERSION SHOWN

NOTES :

- 1- MATERIAL:**
 -HOUSING: LCP GLASS FILLED UL 94V-0, COLOUR BLACK.
 -TERMINAL: PHOSPHOR BRONZE .
PLATING 2:
 POST PLATE (0.00127)/.000050 MIN GOLD IN CONTACT AREA
 (0.00190)/.000075 MIN PURE TIN IN TAIL AREA
 BOTH OVER (0.00127)/.000050 MIN NICKEL OVERALL.
2- JACK FOR MATING WITH F.C.C. 68 PLUGS 90075 MOLEX SERIES.
3- PRODUCT SPECIFICATION PS-9550I.
4- PACKAGING SPECIFICATION PK-9500I: STANDARD PACKAGING SHEET 1.
 SPECIAL PACKAGING SHEET 2. TUBE PACKAGING SHEET 3.
5- MANUFACTURING I.D. CAN BE EITHER MXF, MG OR MXI.
6- RECOMMENDED PCB THICKNESS: 1.6mm

MODIFIED NOTES:
 EC NO: E2008-076 2007/10/05
 DRWN:DBYRNES 2007/10/05
 CHKD: 2007/10/05
 APPR:EOMAHONY 2007/10/05

| QUALITY SYMBOLS | GENERAL TOLERANCES (UNLESS SPECIFIED) | |
|-----------------|---------------------------------------|-------|
| | mm | INCH |
| ▽=0 | 4 PLACES ±--- | ±--- |
| ▽=0 | 3 PLACES ±--- | ±.006 |
| | 2 PLACES ±0.15 | ±.010 |
| | 1 PLACE ±0.25 | ±--- |
| | ANGULAR ±---° | |

| DIMENSION STYLE | | SCALE | DESIGN UNITS | THIRD ANGLE PROJECTION |
|-----------------|--------------|-------------------------|--------------|------------------------|
| MM/IN | | 4:1 | METRIC | |
| DRAWN BY | DATE | TITLE | | |
| DBYRNES | 2006/08/02 | R/A LOW PROFILE | | |
| CHECKED BY | DATE | PC JACK 4,6,8 CKTS SIZE | | |
| EOMAHONY | 2006/08/12 | THROUGH HOLE VERSION | | |
| APPROVED BY | DATE | MOLEX INCORPORATED | | |
| EOMAHONY | 2006/08/12 | | | |
| MATERIAL NO. | DOCUMENT NO. | SHEET NO. | | |
| | SD-95501-001 | 1 OF 5 | | |

SEE CHART SHEETS 4.56&8

DRAFT WHERE APPLICABLE MUST REMAIN WITHIN DIMENSIONS

THIS DRAWING CONTAINS INFORMATION THAT IS PROPRIETARY TO MOLEX INCORPORATED AND SHOULD NOT BE USED WITHOUT WRITTEN PERMISSION

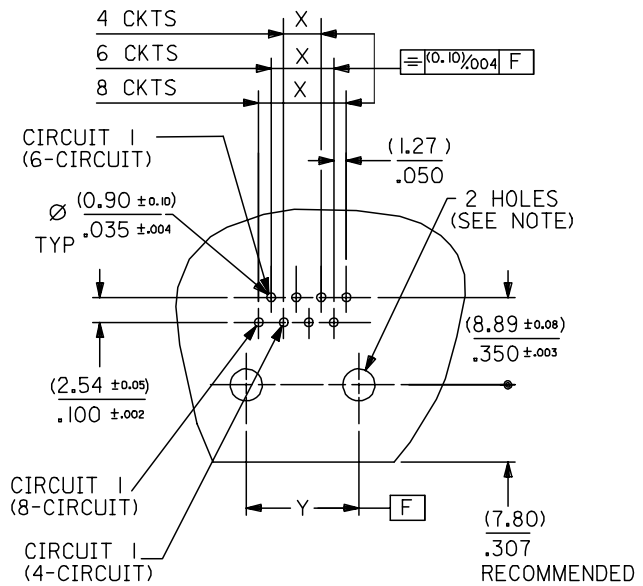
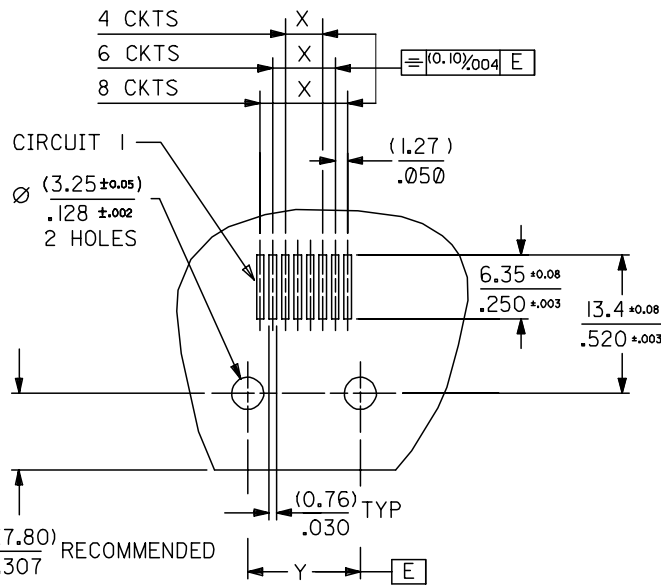
| DIM. | TYPE | | POS. 4 | | POS. 6 | | POS. 8 | |
|------|----------------|----------------|----------------|----------------|---------|---------|---------|---------|
| | 4 CKTS. | 6 CKTS. | 4 CKTS. | 6 CKTS. | 4 CKTS. | 6 CKTS. | 4 CKTS. | 6 CKTS. |
| A | (11.18) / .440 | (13.21) / .520 | (13.21) / .520 | (15.24) / .600 | | | | |
| C | (7.62) / .300 | (10.16) / .400 | (10.16) / .400 | (11.43) / .450 | | | | |
| B | (3.81) / .150 | (3.81) / .150 | (6.35) / .250 | (8.89) / .350 | | | | |

| TYPE \ DIM. | POS. 4 | POS. 6 | | POS. 8 |
|-------------------------|---------------|----------------|----------------|----------------|
| | 4 CKTS. | 4 CKTS. | 6 CKTS. | 8 CKTS. |
| Y $\pm 0.05 / \pm 0.02$ | (7.62) / .300 | (10.16) / .400 | (10.16) / .400 | (11.43) / .450 |
| X $\pm 0.05 / + 0.02$ | (3.81) / .150 | (3.81) / .150 | (6.35) / .250 | (8.89) / .350 |

P.C.B. MOUNTING PATTERNS - SEE FROM COMPONENT SIDE

FOR SMT JACK TYPE (SURFACE MOUNT)

FOR STANDARD JACK TYPE (THROUGH HOLE)



NOTE:
FOR CONVECTION SOLDERING: DIA 3.25 \pm 0.05 / .128 \pm .002
FOR WAVE SOLDERING: DIA 3.20 \pm 0.10 / .126 \pm .004

| REV | DESCRIPTION |
|-----|---------------------------|
| B | MODIFIED TABLE |
| | EC NO: E2008-0176 |
| | DRWN: DBYRNES 2007/10/05 |
| | CHKD: 2007/10/05 |
| | APPR: EOMAHONY 2007/10/05 |

| QUALITY SYMBOLS |
|-----------------|
| $\nabla = 0$ |
| $\triangle = 0$ |

| GENERAL TOLERANCES (UNLESS SPECIFIED) | |
|------------------------------------------------------|------------|
| mm | INCH |
| 4 PLACES \pm --- | \pm --- |
| 3 PLACES \pm --- | \pm .006 |
| 2 PLACES \pm 0.15 | \pm .010 |
| 1 PLACE \pm 0.25 | \pm --- |
| ANGULAR \pm ---° | |
| DRAFT WHERE APPLICABLE MUST REMAIN WITHIN DIMENSIONS | |

| DIMENSION STYLE | |
|------------------------|------------|
| MM/IN | |
| DRAWN BY | DATE |
| DBYRNES | 2006/08/02 |
| CHECKED BY | DATE |
| EOMAHONY | 2006/08/12 |
| APPROVED BY | DATE |
| EOMAHONY | 2006/08/12 |
| MATERIAL NO. | |
| SEE CHART SHEETS 4,5&6 | |

| SCALE | DESIGN UNITS | THIRD ANGLE PROJECTION | |
|-------------------------------------------------------------------------------------------------------------------------------|--------------|------------------------|--|
| 2:1 | METRIC | | |
| TITLE | | | |
| R/A LOW PROFILE JACK PC JACK 4,6,8 CKT SIZE SMT AND STANDARD VERSION | | | |
| MOLEX INCORPORATED | | | |
| DOCUMENT NO. | | SHEET NO. | |
| SD-95501-001 | | 3 OF 5 | |
| THIS DRAWING CONTAINS INFORMATION THAT IS PROPRIETARY TO MOLEX INCORPORATED AND SHOULD NOT BE USED WITHOUT WRITTEN PERMISSION | | | |

SPECIAL PACKAGING TUBE, SEE PACKAGING SPEC PK95001 SHEET 3

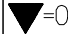
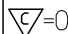
PART NO FOR JACK ASSEMBLY
THROUGH HOLE VERSION

PART NO FOR JACK ASSEMBLY
SMT VERSION

| HOUSING SIZE | LOADED CONTACTS | PLATING | LCP GLASS FILED 94V0, COLOR BLACK. | | | | | | | |
|--------------|-----------------|---------|------------------------------------|--------|------------|--------|--------|--------|--|--|
| | | | NO KEY | TOOLED | KEY | TOOLED | TOOLED | TOOLED | | |
| | | | NOT RIBBED | | NOT RIBBED | | | | | |
| 4 | 4 | 2 | 95501-2401 | X | | | | | | |
| 6 | 4 | 2 | 95501-2601 | X | | | | | | |
| 6 | 6 | 2 | 95501-2611 | X | | | | | | |
| 8 | 8 | 2 | 95501-2821 | X | | | | | | |

| PLATING | LCP GLASS FILLED 94V0 COLOUR BLACK | | | | | |
|---------|------------------------------------|--------|------------|--------|------------|--------|
| | NO KEY | TOOLED | KEY | TOOLED | NO KEY | TOOLED |
| | NOT RIBBED | | NOT RIBBED | | NOT RIBBED | |
| 2 | 95501-6449 | X | | | | |
| 2 | 95501-6649 | X | | | | |
| 2 | 95501-6669 | X | | | | |
| 2 | 95501-6889 | X | 95501-6890 | X | | |

REMOVED GREY OPTIONS
 EC NO: E2007-0513
 DRWN: DBYRNES 2007/01/08
 CHKD: 2007/01/08
 APPR: EOMAHONY 2007/01/09

QUALITY SYMBOLS
 =0
 =0

GENERAL TOLERANCES (UNLESS SPECIFIED)

| | mm | INCH |
|----------|--------|-------|
| 4 PLACES | ± --- | ± --- |
| 3 PLACES | ± --- | ± --- |
| 2 PLACES | ± --- | ± --- |
| 1 PLACE | ± --- | ± --- |
| ANGULAR | ± ---° | |

DRAFT WHERE APPLICABLE
MUST REMAIN WITHIN DIMENSIONS

DIMENSION STYLE
MM ONLY

| DRAWN BY | DATE |
|-------------|------------|
| DBYRNES | 2006/08/02 |
| CHECKED BY | DATE |
| EOMAHONY | 2006/08/12 |
| APPROVED BY | DATE |
| EOMAHONY | 2006/08/12 |

MATERIAL NO. SEE CHART

SCALE ---
 DESIGN UNITS METRIC
 THIRD ANGLE PROJECTION

TITLE
 LOW PROFILE R/A JACK
 STANDARD AND SMT VERSION
 TUBE PACKAGING

MOLEX MOLEX INCORPORATED

DOCUMENT NO. SD-95501-001
 SHEET NO. 5 OF 5

THIS DRAWING CONTAINS INFORMATION THAT IS PROPRIETARY TO MOLEX INCORPORATED AND SHOULD NOT BE USED WITHOUT WRITTEN PERMISSION