

PLEASE CHECK WWW.MOLEX.COM FOR LATEST PART INFORMATION

Part Number: [0955012441](#)
Status: **Active**
Overview: [modular_plugs_jacks](#)
Description: Modular Jacks, Low Profile, Trough Hole, 4 Positions, 4 loaded

Documents:

3D Model	Product Specification PS-95501 (PDF)
Drawing (PDF)	RoHS Certificate of Compliance (PDF)
Application Specification (PDF)	

Agency Certification

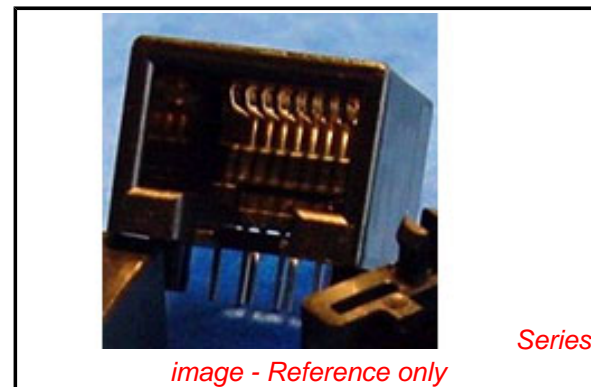
UL E107635

General

Product Family	Modular Jacks/Plugs
Series	95501
Component Type	PCB Jack
Magnetic	No
Overview	modular_plugs_jacks
Performance Category	3
Power over Ethernet (PoE)	N/A
Product Name	RJ11

Physical

Boot Color	N/A
Color - Resin	Black
Durability (mating cycles max)	500
Flammability	94V-0
Inverted / Top Latch	No
Lightpipes/LEDs	None
Material - Metal	Phosphor Bronze
Material - Plating Mating	Gold
Material - Plating Termination	Tin
Material - Resin	High Temperature Thermoplastic
Orientation	Right Angle (Side Entry)
PCB Locator	Yes
PCB Retention	Yes
PCB Thickness Recommended (in)	0.063 In
PCB Thickness Recommended (mm)	1.60 mm
Packaging Type	Tray
Pitch - Mating Interface (in)	0.040 In
Pitch - Mating Interface (mm)	1.02 mm
Pitch - Term. Interface (in)	0.050 In
Pitch - Term. Interface (mm)	1.27 mm
Plating min: Mating (µin)	50.8
Plating min: Mating (µm)	1.27
Plating min: Termination (µin)	76
Plating min: Termination (µm)	1.9
Ports	1
Positions / Loaded Contacts	4/4
Surface Mount Compatible (SMC)	Yes
Temperature Range - Operating	-40°C to +80°C
Termination Interface: Style	Through Hole
Waterproof / Dustproof	No
Wire/Cable Type	N/A



EU RoHS

**ELV and RoHS
Compliant**
**REACH SVHC
Contains SVHC: No**
**Halogen-Free
Status
Halogen-Free**

China RoHS



**Need more information on product
environmental compliance?**

Email productcompliance@molex.com
 For a multiple part number RoHS Certificate of
 Compliance, [click here](#)

Please visit the [Contact Us](#) section for any
 non-product compliance questions.

Search Parts in this Series

[95501Series](#)

Mates With

FCC 68 Plugs

Use With

90075

Electrical

Current - Maximum per Contact	1.5A
Shielded	No
Voltage - Maximum	125V DC

Solder Process Data

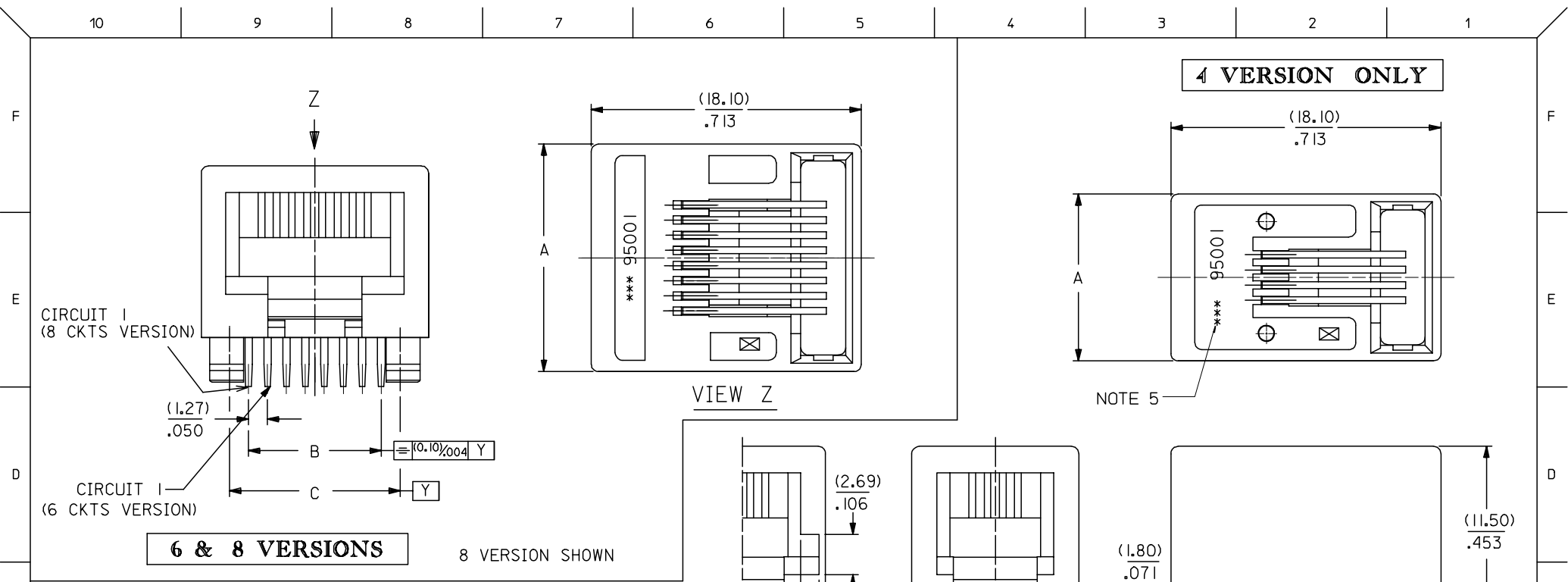
Duration at Max. Process Temperature (seconds)	5
Lead-free Process Capability	Wave Capable (TH only)
Max. Cycles at Max. Process Temperature	1
Process Temperature max. C	260

Material Info**Reference - Drawing Numbers**

Packaging Specification	PK-95001
Product Specification	PS-95501
Sales Drawing	SD-95501-001

This document was generated on 06/07/2010

PLEASE CHECK WWW.MOLEX.COM FOR LATEST PART INFORMATION



6 & 8 VERSIONS

8 VERSION SHOWN

NOTES :

- 1- MATERIAL:
 -HOUSING: LCP GLASS FILLED UL 94V-0, COLOUR BLACK.
 -TERMINAL: PHOSPHOR BRONZE .
 PLATING 2:
 POST PLATE (0.00127)/.000050 MIN GOLD IN CONTACT AREA
 (0.00190)/.000075 MIN PURE TIN IN TAIL AREA
 BOTH OVER (0.00127)/.000050 MIN NICKEL OVERALL.
 2- JACK FOR MATING WITH F.C.C. 68 PLUGS 90075 MOLEX SERIES.
 3- PRODUCT SPECIFICATION PS-9550I.
 4- PACKAGING SPECIFICATION PK-9500I: STANDARD PACKAGING SHEET 1.
 SPECIAL PACKAGING SHEET 2. TUBE PACKAGING SHEET 3.
 5- MANUFACTURING I.D. CAN BE EITHER MXF, MG OR MXI.
 6- RECOMMENDED PCB THICKNESS: 1.6mm

DIM.	TYPE	POS. 4		POS. 6		POS. 8	
		4 CKTS.	4 CKTS.	4 CKTS.	6 CKTS.	4 CKTS.	8 CKTS.
A		(11.18) / .440	(13.21) / .520	(13.21) / .520	(15.24) / .600		
C		(7.62) / .300	(10.16) / .400	(10.16) / .400	(11.43) / .450		
B		(3.81) / .150	(3.81) / .150	(6.35) / .250	(8.89) / .350		

MODIFIED NOTES.
 EC NO: E2008-076
 2007/10/05
 DRWN:DBYRNES
 2007/10/05
 CHKD:
 2007/10/05
 APPR:EOMAHONY
 2007/10/05

QUALITY SYMBOLS
 ▽=0
 ▽=0

GENERAL TOLERANCES (UNLESS SPECIFIED)

	mm	INCH
4 PLACES	± ---	± ---
3 PLACES	± ---	± .006
2 PLACES	± 0.15	± .010
1 PLACE	± 0.25	± ---
ANGULAR ± ---°		

DRAFT WHERE APPLICABLE
 MUST REMAIN WITHIN DIMENSIONS

DIMENSION STYLE
 MM/IN

DRAWN BY DATE
 DBYRNES 2006/08/02

CHECKED BY DATE
 EOMAHONY 2006/08/12

APPROVED BY DATE
 EOMAHONY 2006/08/12

MATERIAL NO.
 SEE CHART SHEETS 4.56&8

SCALE
 4:1

DESIGN UNITS
 METRIC

THIRD ANGLE PROJECTION

TITLE
 R/A LOW PROFILE
 PC JACK 4,6,8 CKTS SIZE
 THROUGH HOLE VERSION

MOLEX INCORPORATED

DOCUMENT NO.
 SD-95501-001

SHEET NO.
 1 OF 5

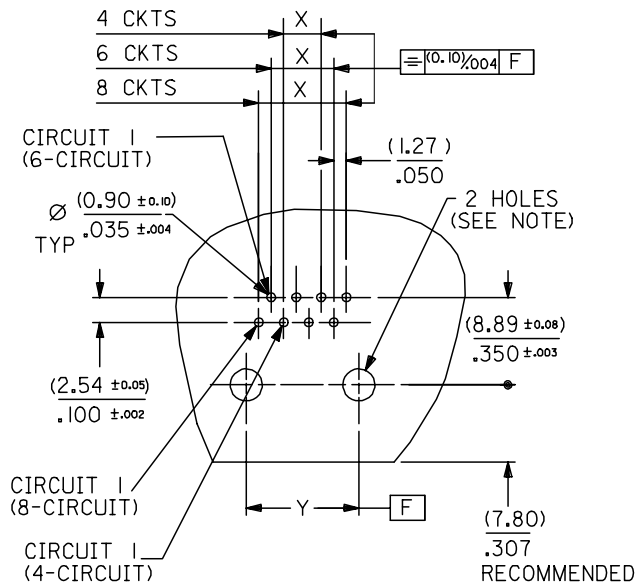
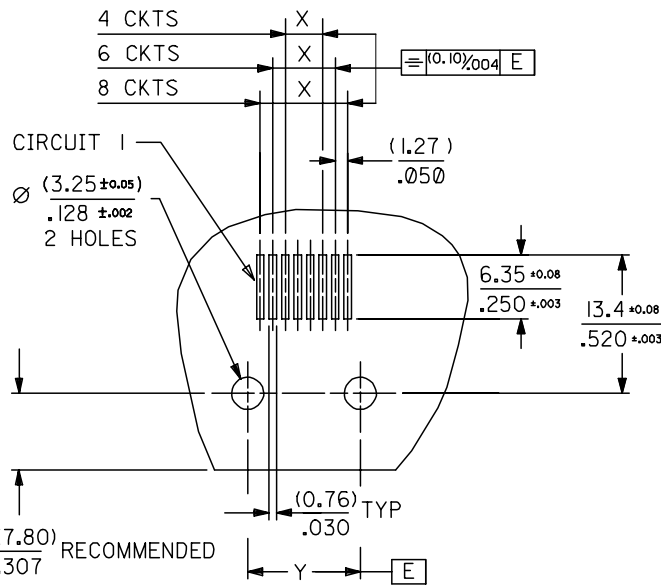
THIS DRAWING CONTAINS INFORMATION THAT IS PROPRIETARY TO MOLEX INCORPORATED AND SHOULD NOT BE USED WITHOUT WRITTEN PERMISSION

TYPE \ DIM.	POS. 4	POS. 6		POS. 8
	4 CKTS.	4 CKTS.	6 CKTS.	8 CKTS.
Y $\pm 0.05 / \pm 0.02$	(7.62) / .300	(10.16) / .400	(10.16) / .400	(11.43) / .450
X $\pm 0.05 / + 0.02$	(3.81) / .150	(3.81) / .150	(6.35) / .250	(8.89) / .350

P.C.B. MOUNTING PATTERNS - SEE FROM COMPONENT SIDE

FOR SMT JACK TYPE (SURFACE MOUNT)

FOR STANDARD JACK TYPE (THROUGH HOLE)



NOTE:
FOR CONVECTION SOLDERING: DIA 3.25 \pm 0.05 / .128 \pm .002
FOR WAVE SOLDERING: DIA 3.20 \pm 0.10 / .126 \pm .004

REV	DESCRIPTION
B	MODIFIED TABLE
	EC NO: E2008-0176
	DRWN: DBYRNES 2007/10/05
	CHKD: 2007/10/05
	APPR: EOMAHONY 2007/10/05

QUALITY SYMBOLS	$\nabla = 0$
	$\triangle = 0$

GENERAL TOLERANCES (UNLESS SPECIFIED)	
	MM INCH
4 PLACES	\pm --- \pm ---
3 PLACES	\pm --- \pm .006
2 PLACES	\pm 0.15 \pm .010
1 PLACE	\pm 0.25 \pm ---
ANGULAR \pm --- $^\circ$	
DRAFT WHERE APPLICABLE MUST REMAIN WITHIN DIMENSIONS	

DIMENSION STYLE	
MM/IN	
DRAWN BY	DATE
DBYRNES	2006/08/02
CHECKED BY	DATE
EOMAHONY	2006/08/12
APPROVED BY	DATE
EOMAHONY	2006/08/12
MATERIAL NO.	
SEE CHART SHEETS 4,5&6	

SCALE	DESIGN UNITS	THIRD ANGLE PROJECTION	
2:1	METRIC		
TITLE			
R/A LOW PROFILE JACK PC JACK 4,6,8 CKT SIZE SMT AND STANDARD VERSION			
MOLEX INCORPORATED			
DOCUMENT NO.		SHEET NO.	
SD-95501-001		3 OF 5	
THIS DRAWING CONTAINS INFORMATION THAT IS PROPRIETARY TO MOLEX INCORPORATED AND SHOULD NOT BE USED WITHOUT WRITTEN PERMISSION			

STANDARD PACKAGING OPEN TRAY ,SEE PACKAGING SPEC PK95001 SHEET 1

PART NO FOR JACK ASSEMBLY
THROUGH HOLE VERSION

HOUSING SIZE	LOADED CONTACTS	PLATING	LCP GLASS FILED 94V0,COLOR BLACK.							
			NO KEY		KEY					
			NOT RIBBED	TOOLED	NOT RIBBED	TOOLED	TOOLED	TOOLED		
4	4	2	95501-2441	X						
6	4	2	95501-2641	X						
6	6	2	95501-2661	X						
8	8	2	95501-2881	X	95501-2882	X				

ORIGINAL EC NO: E2007-0117 DRWN:DBYRNES 2006/10/11 CHKD: 2006/10/11 APPR:EOMAHONY 2006/10/12	QUALITY SYMBOLS	GENERAL TOLERANCES (UNLESS SPECIFIED)		DIMENSION STYLE	SCALE	DESIGN UNITS	THIRD ANGLE PROJECTION	
	$\nabla = 0$ $\sphericalangle = 0$	mm	INCH	MM ONLY	---	METRIC		
		4 PLACES ±---	±---	DRAWN BY	DATE	TITLE		
		3 PLACES ±---	±---	DBYRNES	2006/08/02	LOW PROFILE R/A JACK STANDARD T/HOLE VERSION STANDARD OPEN TRAY VERS		
	2 PLACES ±---	±---	CHECKED BY	DATE	MATERIAL NO.			
	1 PLACE ±---	±---	EOMAHONY	2006/08/12	SD-95501-001			
	ANGULAR ±---°	±---°	APPROVED BY	DATE	DOCUMENT NO.			
			EOMAHONY	2006/08/12	SHEET NO.			
			DRAFT WHERE APPLICABLE MUST REMAIN WITHIN DIMENSIONS		SEE CHART		4 OF 5	
A	REV	THIS DRAWING CONTAINS INFORMATION THAT IS PROPRIETARY TO MOLEX INCORPORATED AND SHOULD NOT BE USED WITHOUT WRITTEN PERMISSION						