

**PLEASE CHECK WWW.MOLEX.COM FOR LATEST PART INFORMATION**

**Part Number:** [5010541470](#)  
**Status:** **Active**  
**Description:** 0.50mm (.020") Pitch Cradlecon™ I/O Plug, SMT, Right Angle, SMT Shell Tabs, 14 Circuits

**Documents:**

[3D Model](#) [Product Specification PS-51283-013 \(PDF\)](#)  
[Drawing \(PDF\)](#) [RoHS Certificate of Compliance \(PDF\)](#)

**General**

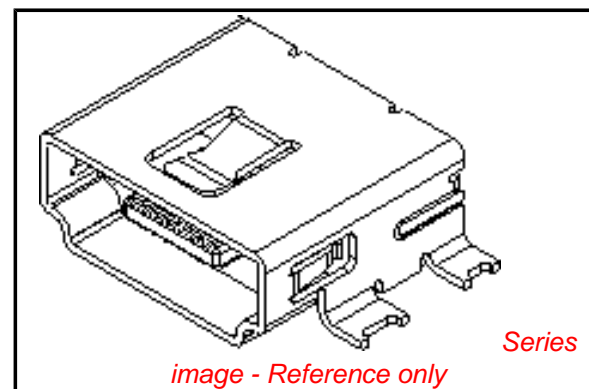
Product Family	I/O Connectors
Series	501054
Application	Board-to-Board, Wire-to-Board
Component Type	Plug
Product Name	CradleCon™
Type	N/A

**Physical**

Boot Color	N/A
Circuits (Loaded)	14
Circuits (maximum)	14
Color - Resin	Black
Gender	Plug
Lock to Mating Part	Yes
Material - Metal	Brass
Material - Plating Mating	Gold
Material - Plating Termination	Tin
Material - Resin	High Temperature Thermoplastic
Number of Rows	2
Orientation	Right Angle
PCB Locator	No
PCB Retention	Yes
Packaging Type	Embossed Tape on Reel
Panel Mount	No
Pitch - Mating Interface (in)	0.020 In
Pitch - Mating Interface (mm)	0.50 mm
Pitch - Term. Interface (in)	0.020 In
Pitch - Term. Interface (mm)	0.50 mm
Plating min: Mating (µin)	8
Plating min: Mating (µm)	0.2
Plating min: Termination (µin)	80
Plating min: Termination (µm)	2
Polarized to Mating Part	Yes
Polarized to PCB	Yes
Ports	1
Surface Mount Compatible (SMC)	Yes
Temperature Range - Operating	-20°C to +60°C
Termination Interface: Style	Surface Mount
Waterproof / Dustproof	No

**Electrical**

Current - Maximum per Contact	0.5A
Shield Type	Full Shield
Shielded	Yes
Voltage - Maximum	30V AC (RMS)/DC



**EU RoHS**

**ELV and RoHS  
Compliant**  
**REACH SVHC**  
 Not Reviewed  
**Halogen-Free  
Status**  
 Not Reviewed

**China RoHS**



**Need more information on product  
environmental compliance?**

Email [productcompliance@molex.com](mailto:productcompliance@molex.com)  
 For a multiple part number RoHS Certificate of  
 Compliance, [click here](#)

Please visit the [Contact Us](#) section for any  
 non-product compliance questions.

**Search Parts in this Series**

501054Series

**Mates With**

500887-1419 , Custom Harness

**Material Info**

**Reference - Drawing Numbers**

Product Specification

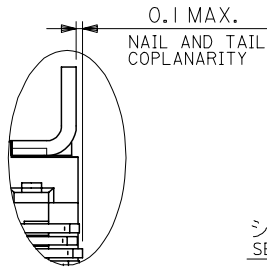
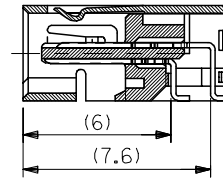
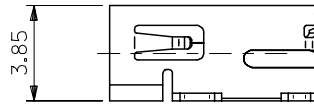
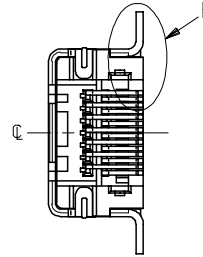
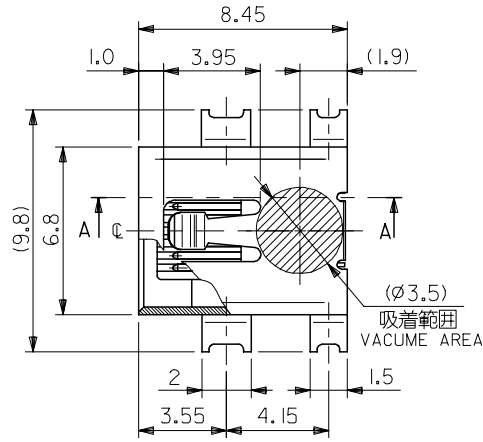
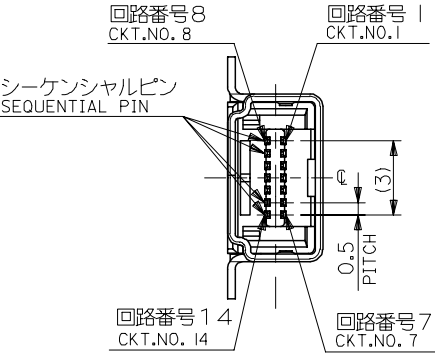
Sales Drawing

PS-51283-013, RPS-51283-017

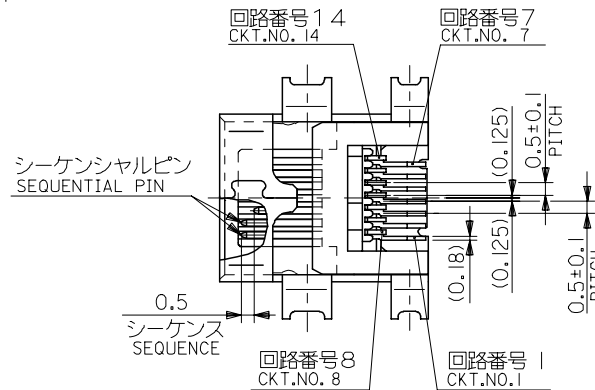
SD-501054-003, SD-501054-004

This document was generated on 04/19/2010

**PLEASE CHECK [WWW.MOLEX.COM](http://WWW.MOLEX.COM) FOR LATEST PART INFORMATION**



DETAIL B  
SCALE:10-1



NOTE:

1. 適合リセ番号: 500887-14\*9 / 59205-497\*  
(S/T REC.) (HARNES)
- APPRICABLE REC. NO.:
2. 材質  
MATERIAL
- 2-1. ハウジング: ガラス入り耐熱樹脂  
94V-0, 黒色  
HOUSING: G.F.HEAT RESISTANT PLASTIC  
94V-0, BLACK COLOR
- 2-2. ターミナル: 銅合金  
TERMINAL COPPER ALLOY
- 2-3. プラグ シールド: ステンレス鋼  
PLUG SHIELD STAINLESS STEEL
3. メッキ仕様  
PLATING
- 3-1. ターミナル  
TERMINAL
- 3-1-1. 接点部 : 金メッキ 0.1umMIN.  
CONTACT AREA GOLD
- : パラジウムニッケルメッキ 0.2umMIN.  
PALLADIUM-NICKEL
- 3-1-2. 半田付け部 錫メッキ 1.0um MIN.  
SOLDER TAIL AREA TIN
- 3-1-3. 下地メッキ : ニッケルメッキ 1.5 ~ 3um  
UNDER-PLATING NICKEL
- 3-2. プラグ シールド  
PLUG SHIELD
- 3-2-1. 金コート処理  
GOLD COATING
- 3-2-2. 下地メッキ : ニッケルメッキ 1.0 ~ 2um  
UNDER-PLATING NICKEL
4. 本製品は 55884-1401 の鉛フリー品である。  
THIS PRODUCT IS LEAD FREE OF 55884-1401.

501054-1401	501054-**01
MATERIAL NO.	MODEL NO.

REVISED EC NO: J2005-1951 DRAWN: MNABE1 CHKD: KTOJO APPR: NUKITA 2005/01/07 2005/01/08 2005/01/13	GENERAL TOLERANCES (UNLESS SPECIFIED)		DIMENSION STYLE MM ONLY		SCALE 5:1	DESIGN UNITS METRIC	THIRD ANGLE PROJECTION	
	10 UNDER	±0.2	DRAWN BY MNABE1	DATE '04/08/04	TITLE 0.5 I/O CONN PLUG HSG ASSY 14CKT -LEAD FREE-			
	10 OVER 30 UNDER	±0.25	CHECKED BY KTOJO	DATE '04/08/04				
	30 OVER	±0.3	APPROVED BY NUKITA	DATE '04/08/04	MOLEX INCORPORATED			
	ANGULAR	±3 °	MATERIAL NO.	DOCUMENT NO. SD-501054-003				
DRAFT WHERE APPLICABLE MUST REMAIN WITHIN DIMENSIONS		SIZE A3		THIS DRAWING CONTAINS INFORMATION THAT IS PROPRIETARY TO MOLEX INCORPORATED AND SHOULD NOT BE USED WITHOUT WRITTEN PERMISSION				



10 9 8 7 6 5 4 3 2 1

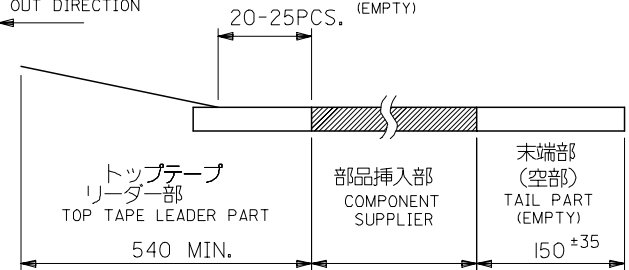
注記  
NOTES

1. 製品番号 501054-1401 の寸法詳細は SD-501054-003 参照  
IN THE PACKAGE PART NO.501054-1401 DETAILED DIMENSION, SEE SD-501054-003.

2. 梱包数量: 800 個/リール  
NUMBER OF CONNECTORS: 800 PCS/REEL

3. リードテープ長さ  
LEAD TAPE LENGTH  
引き出し方向  
PULL OUT DIRECTION

トップテープ接着部  
TOP TAPE BONDED PART  
(空エンボス)  
(EMPTY)

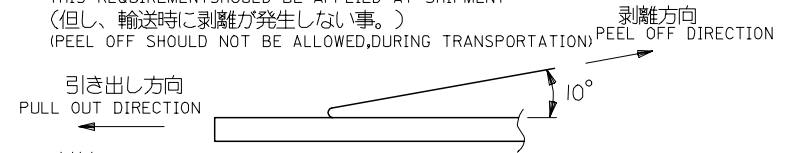


4. トップテープの剥離強度: 0.1~1.3N (10~130gf)  
(剥離方向は下図参照)

キャリアテープ幅: 2.4mm  
CARRIER TAPE WIDTH

PEEL-OFF FORCE OF TOP TAPE: 0.1-1.3N (10-130gf)  
(PEELING DIRECTION AS SHOWN IN FOLLOWING FIG.)

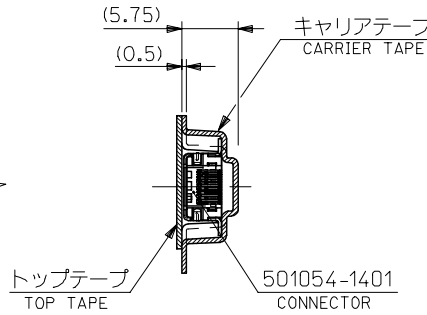
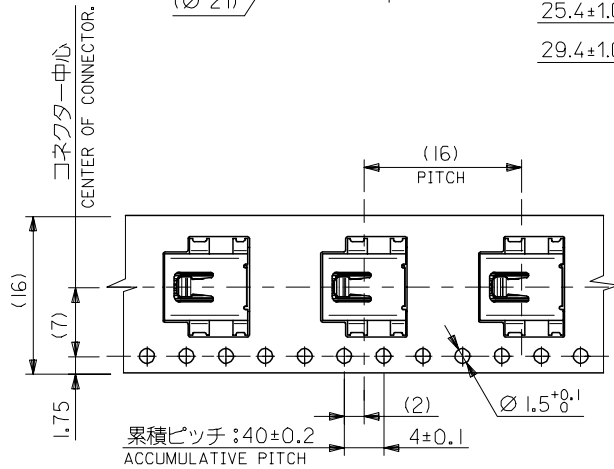
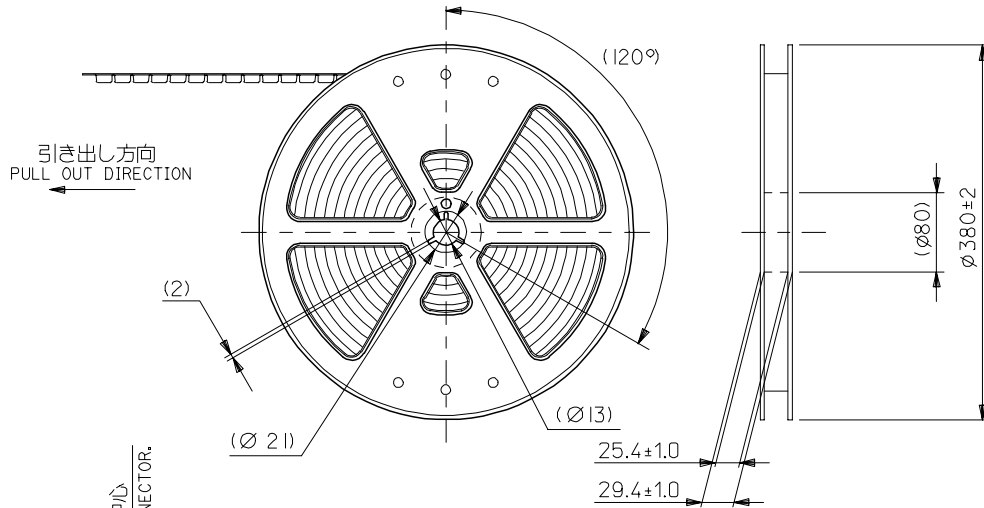
尚、本規格値は、出荷時に適用。  
THIS REQUIREMENT SHOULD BE APPLIED AT SHIPMENT  
(但し、輸送時に剥離が発生しない事。)  
(PEEL OFF SHOULD NOT BE ALLOWED, DURING TRANSPORTATION)



5. 材料

MATERIAL  
キャリアテープ: ポリプロピレン  
CARRIER TAPE: POLYPROPYLENE  
トップテープ: ポリエステル, ポリエチレン  
TOP TAPE: POLYESTER, POLYETHYLENE  
リール: ポリスチレン  
REEL: POLYSTYRENE

4. 本製品は 55884-1490 の鉛フリー品である。  
THIS PRODUCT IS LEAD FREE OF 55884-1490.



引き出し方向  
PULL OUT DIRECTION

14	501054-1401	501054-1470
CKT.	CONNECTOR	MATERIAL NO.
DESIGN UNITS METRIC		THIRD ANGLE PROJECTION

RELEASED EC NO: J2005-0387 DRAWN: MNABE CHKD: KTOJO APP: NUKITA	DESCRIPTION 2004/09/17 2004/09/17 2004/09/29	GENERAL TOLERANCES (UNLESS SPECIFIED)		DIMENSION STYLE MM ONLY		SCALE ---	DESIGN UNITS METRIC	THIRD ANGLE PROJECTION	
		10 UNDER	±0.2	DRAWN BY MNABE	DATE '04/08/04	TITLE EMBOSSD TAPE PACKAGE FOR 501054-1401 -LEAD FREE-			
		10 OVER 30 UNDER	±0.25	CHECKED BY KTOJO	DATE '04/08/04	MOLEX INCORPORATED			
		30 OVER	±0.3	APPROVED BY NUKITA	DATE '04/08/04	DOCUMENT NO. SD-501054-004			
0	REV	ANGULAR	±3 °	MATERIAL NO. SEE CHART		SHEET NO. 1 OF 1			
		DRAFT WHERE APPLICABLE MUST REMAIN WITHIN DIMENSIONS		THIS DRAWING CONTAINS INFORMATION THAT IS PROPRIETARY TO MOLEX INCORPORATED AND SHOULD NOT BE USED WITHOUT WRITTEN PERMISSION					