

DC-Filter, dual pole

new



Description

- Chassis: Screw-on mounting, from top
- Line-filter in standard version, 1-stage, standard attenuation
- Effective against symmetrical and asymmetrical interferences in the frequency range from 100kHz up to 30MHz

Approvals

- VDE License Number: 40020247
- UL License Number: E72928

Characteristics

- Optimized for DC supplied applications
- Qualified for use in equipment according IEC/EN 60950

Other versions on request

- Other terminal combinations
- Version with wire connection

References

[General Product Information](#)

Weblinks

[Approvals](#), [RoHS](#), [CHINA-RoHS](#), [Mating Connectors](#), [e-Store](#), [Distributor-Stock-Check](#), [Accessories](#)

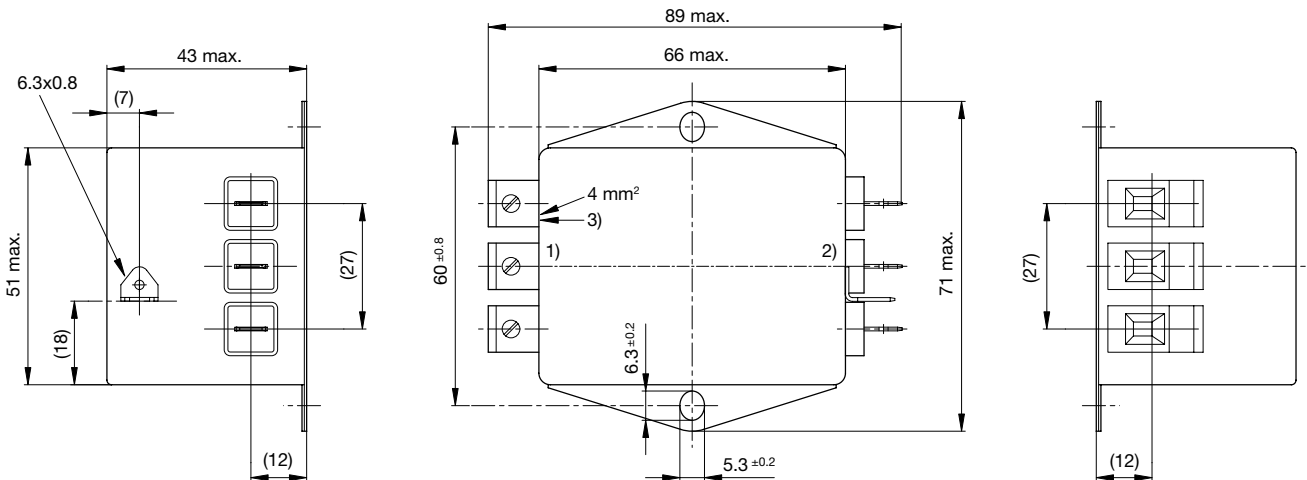
Technical Data

Ratings IEC	5 - 30A @ Ta 40 °C / ±80VDC
Ratings UL/CSA	5 - 30A @ Ta 40 °C / ±80VDC
Dielectric Strength	> 1.7 kVDC between Vss-GND > 2.7 kVDC between Vss/GND-PE Test voltage (2 sec)
Allowable Operation Temp.	-25 °C to 100 °C
Climatic Category	25/100/21 acc. to IEC 60068-1
Protection Class	Suitable for appliances with protection class 1 acc. to IEC 61140
Terminal	Quick connect terminals 6.3 x 0.8 mm or screw terminals
Material: Housing	Alu. anodised, UL 94V-0

Line Filter	Industrial Version, IEC 60939, IEC 60601-1, UL 1283, UL 544, EN 133 200, CSA C22.2 no. 8 Technical details
MTBF	> 200'000h acc. to MIL-HB-217 F

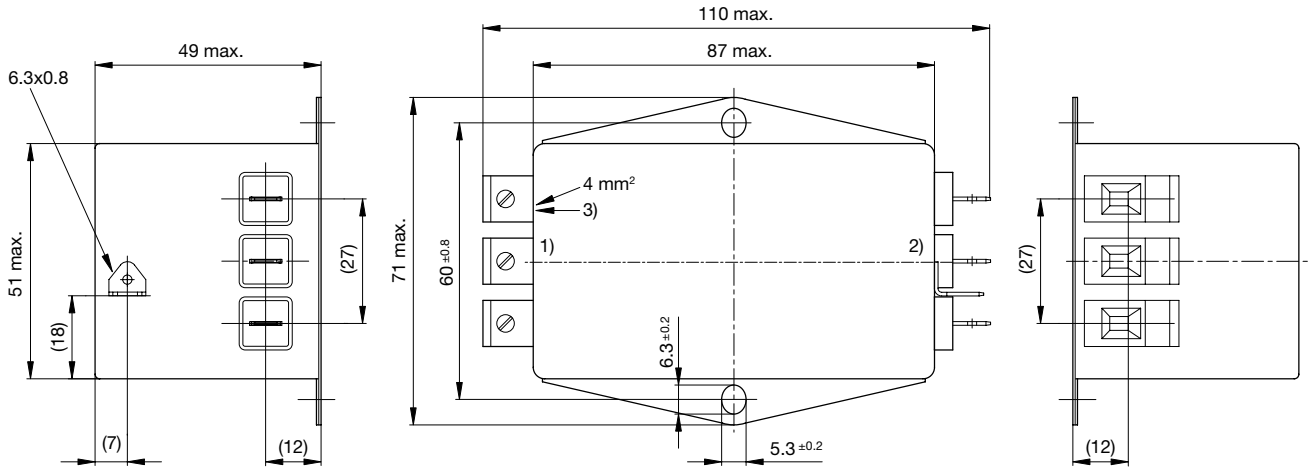
Dimensions

Case 86-3



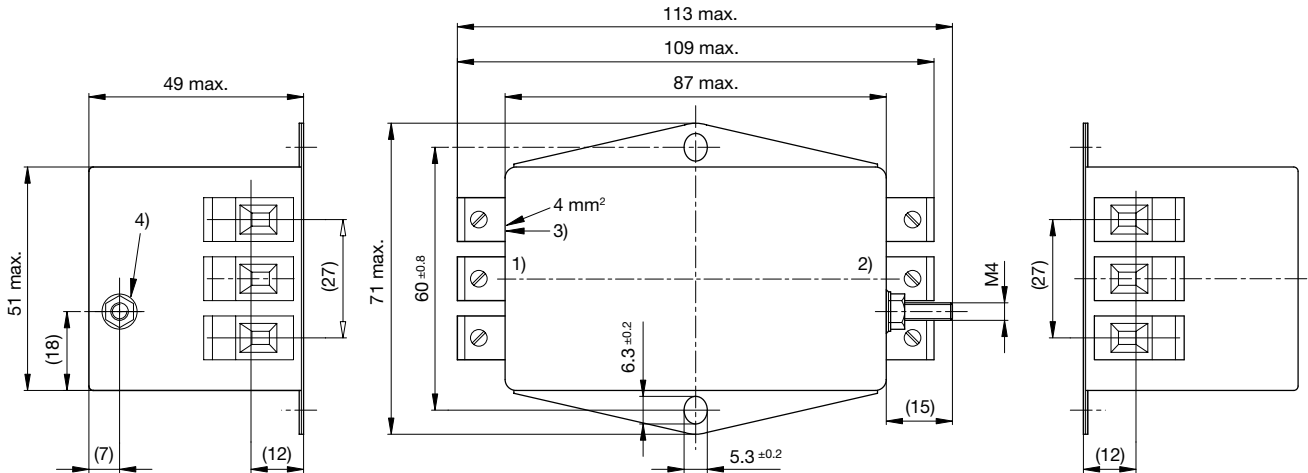
1) Line2) Load3) I/O connections torque 0.6...0.8 Nm

Case 87-3



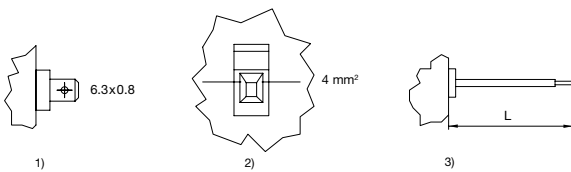
1) Line 2) Load 3) I/O connections torque 0.6...0.8 Nm

Case 87-7



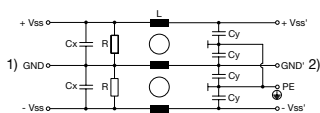
1) Line 2) Load 3) Tightening torque 0.6...0.8 Nm 4) Tightening torque 1.2...1.4 Nm

Terminal options



1) Quick connect terminals 6.3x0.8 (only up to 24A) 2) Screw clamp 4mm² 3) Flexible wires

Diagrams



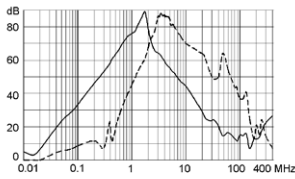
1) Line
2) Load

Attenuation Loss

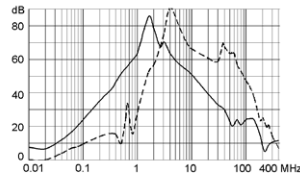
Standard version

- - - differential mode _____ common mode

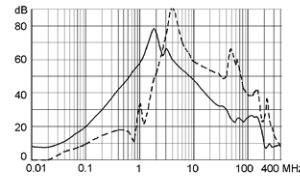
5 A



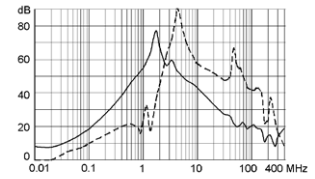
10 A



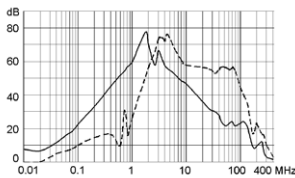
15 A



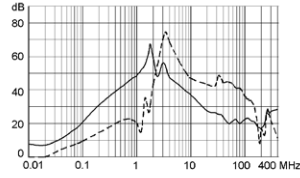
20 A



24 A



30 A

**Variants**

Rated Current [A]	L [mH]	Cx (X2) [nF]	Cy (Y2) [nF]	R [MΩ]	Weight [g]	Housing	Packaging unit	Order Number
5	3 x 0.75	100	100	1	245	86-3	10	5500.2229
10	3 x 0.2	100	100	1	245	86-3	10	5500.2230
15	3 x 0.1	100	100	1	250	86-3	10	5500.2231
20	3 x 0.07	100	100	1	260	86-3	10	5500.2232
24	3 x 0.14	100	100	1	400	87-3	4	5500.2233
30	3 x 0.08	100	100	1	425	87-7	4	5500.2234