



557-102 and 557-103 D-Subminiature 45° Entry Light-Weight Solid Banding Backshell

557-102 M 2-03 C B

Basic Part No. _____
557-102 or 557-103

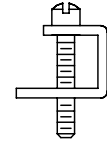
Finish Symbol (Page 3) _____

Shell Size (Table I) _____

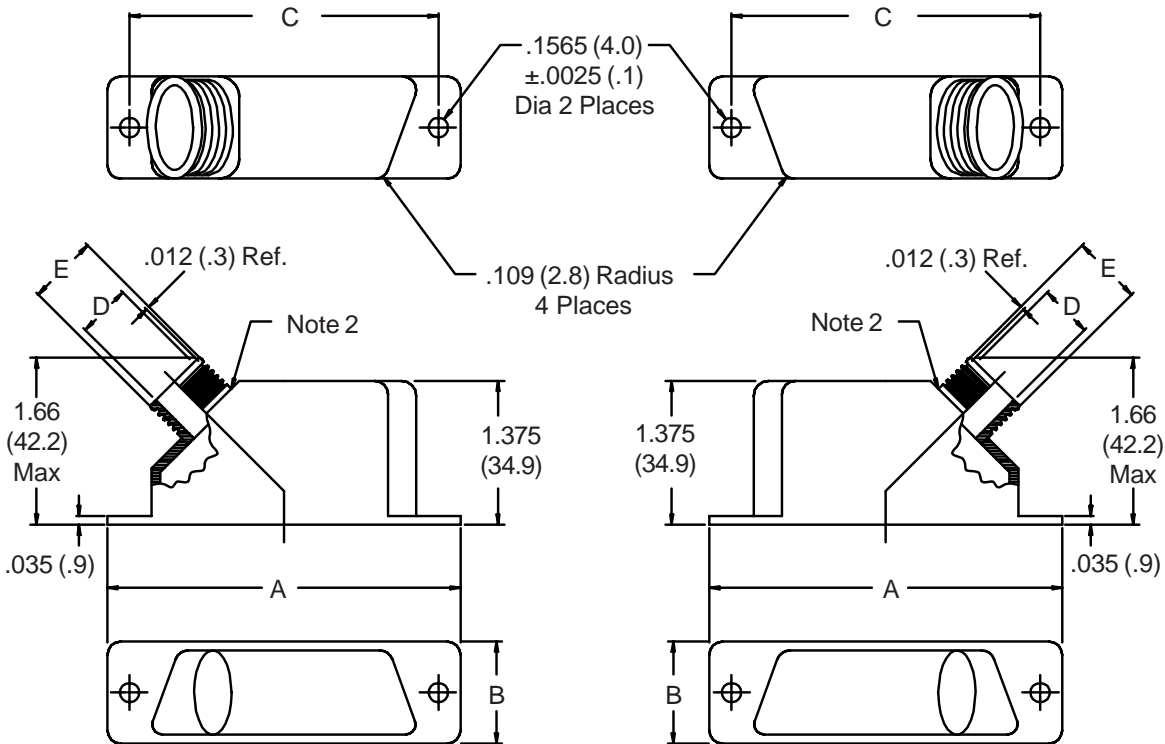
B = Band Supplied (600-057),
Omit for None

C = Supplied with Retainer
Clips and Jackscrews
(Omit for None)

Cable Entry (Table II)



**"C" Retainer
Clip Option**



557-102

557-103

**TABLE I: SHELL SIZE AND
CONNECTOR INTERFACE DIMENSIONS**

Shell Size	A Max	B	C ±.005 (.1)
1	1.203 (30.6)	.500 (12.7)	.984 (25.0)
2	1.531 (38.9)	.500 (12.7)	1.312 (33.3)
3	2.078 (52.8)	.500 (12.7)	1.852 (47.0)
4	2.718 (69.0)	.500 (12.7)	2.500 (63.5)
5	2.625 (66.7)	.609 (15.5)	2.406 (61.1)

1. Metric dimensions (mm) are indicated in parentheses.
2. End Fitting may be brazed on per MIL-B-7883B, Type V, Grade B

TABLE II: CABLE ENTRY

Entry Size	D	E
02	.125 (3.2)	.205 (5.2)
03	.187 (4.7)	.267 (6.8)
04	.250 (6.4)	.330 (8.4)
05	.312 (7.9)	.392 (10.0)
06	.375 (9.5)	.455 (11.6)
07	.437 (11.1)	.517 (13.1)
08*	.500 (12.7)	.580 (14.7)
09*	.529 (13.4)	.609 (15.5)
10	.290 (7.4)	.370 (9.4)

* Available in shell size 5 only.