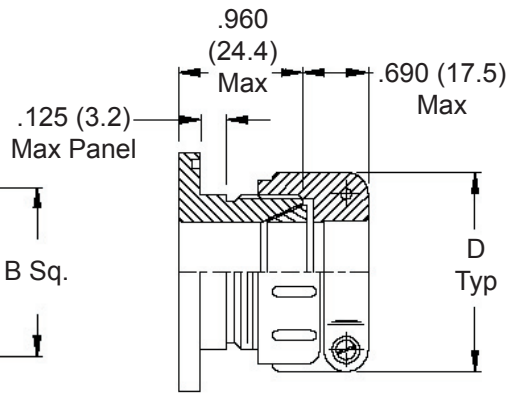
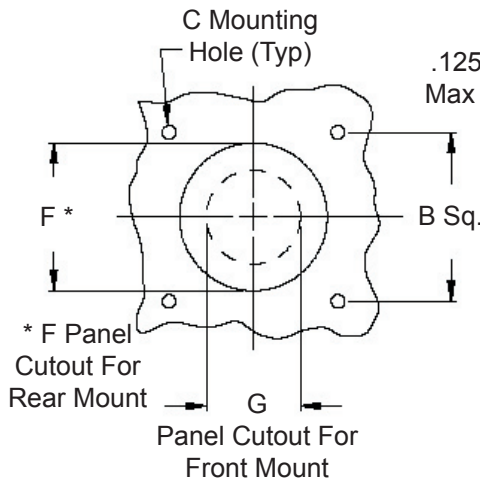
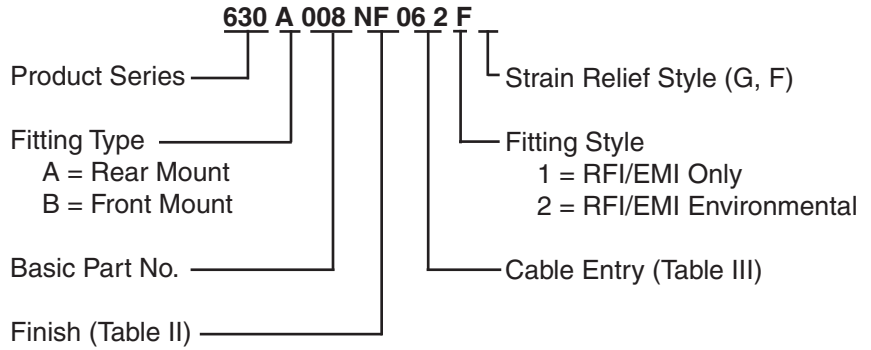
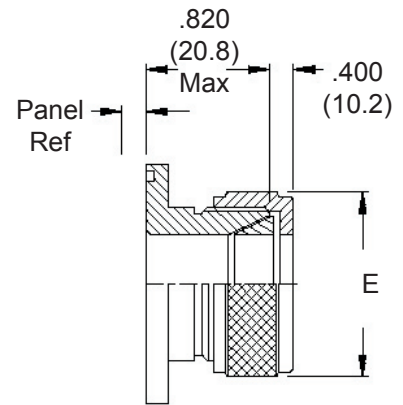


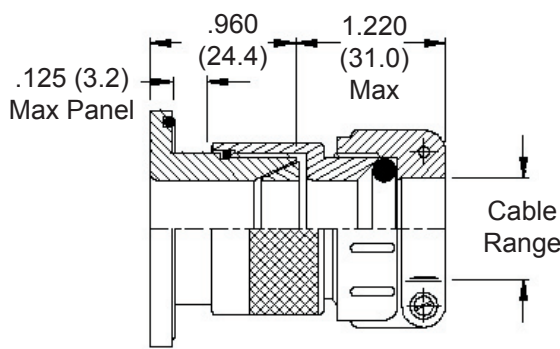
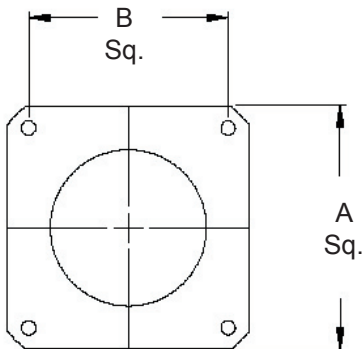
**Single Overall
EMI/RFI
Shield Termination**



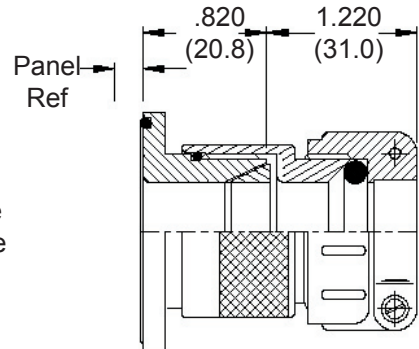
**Style 1
RFI/EMI
Rear Mount Type A
(Shown With Style F
Strain Relief)**



**Style 1
RFI/EMI
Front Mount Type B
(Shown With Style G
Gland Nut)**



**Style 2
RFI/EMI Environmental
Rear Mount Type A
(Shown With Style F
Strain Relief)**



**Style 2
RFI/EMI Environmental
Front Mount Type A
(Shown With Style F
Strain Relief)**

See inside back cover fold-out or page 14 for Table II.

Dash No.	Cable Range		A Max	B Dim	C	
	Min	Max			+0.015 (+0.4)	-0 (-0.0)
01	.125 (3.2)	.250 (6.4)	.885 (22.5)	.593 (15.1)	.120 (3.0)	.120 (3.0)
02	.156 (4.0)	.375 (9.5)	1.104 (28.0)	.812 (20.6)	.120 (3.0)	.120 (3.0)
03	.250 (6.4)	.438 (11.1)	1.197 (30.4)	.906 (23.0)	.120 (3.0)	.120 (3.0)
04	.280 (7.1)	.500 (12.7)	1.291 (32.8)	.968 (24.6)	.120 (3.0)	.120 (3.0)
05	.375 (9.5)	.625 (15.9)	1.385 (35.2)	1.062 (27.0)	.120 (3.0)	.120 (3.0)
06	.500 (12.7)	.750 (19.1)	1.635 (41.5)	1.250 (31.8)	.120 (3.0)	.120 (3.0)
07	.625 (15.9)	.875 (22.2)	1.760 (44.7)	1.375 (34.9)	.147 (3.7)	.147 (3.7)
08	.750 (19.1)	1.000 (25.4)	2.010 (51.1)	1.562 (39.7)	.147 (3.7)	.147 (3.7)
09	.875 (22.2)	1.125 (28.6)	2.260 (57.4)	1.750 (44.5)	.173 (4.4)	.173 (4.4)
10	1.000 (25.4)	1.250 (31.8)	2.510 (63.8)	1.938 (49.2)	.173 (4.4)	.173 (4.4)

Dash No.	D		E		F		G	
	Max		Max		+0.015 (+0.4)	-0 (-0.0)	+0.031 (+0.8)	-0 (-0.0)
01	.843 (21.4)		.625 (15.9)		.515 (13.1)		.250 (6.4)	
02	.968 (24.6)		.750 (19.1)		.640 (16.3)		.375 (9.5)	
03	1.046 (26.6)		.875 (22.2)		.765 (19.4)		.438 (11.1)	
04	1.156 (29.4)		1.000 (25.4)		.890 (22.6)		.500 (12.7)	
05	1.218 (30.9)		1.125 (28.6)		1.015 (25.8)		.625 (15.9)	
06	1.343 (34.1)		1.250 (31.8)		1.140 (29.0)		.750 (19.1)	
07	1.468 (37.3)		1.375 (34.9)		1.265 (32.1)		.875 (22.2)	
08	1.593 (40.5)		1.500 (38.1)		1.390 (35.3)		1.000 (25.4)	
09	1.718 (43.6)		1.625 (41.3)		1.515 (38.5)		1.125 (28.6)	
10	1.843 (46.8)		1.750 (44.5)		1.640 (41.7)		1.250 (31.8)	

1. Metric dimensions (mm) are indicated in parentheses.
2. Cable range is defined as the accommodations range for the wire bundle or cable. Dimensions shown are not intended for inspection criteria.