

7034/4X150A

Beam Power Tube

FORCED-AIR COOLED

COAXIAL-ELECTRODE STRUCTURE 370 WATTS CW OUTPUT UP TO 150 Mc
 UNIPOTENTIAL CATHODE 140 WATTS CW OUTPUT AT 500 Mc
 COMPACT DESIGN INTEGRAL RADIATOR

For Use at Frequencies up to 500 Mc

GENERAL DATA

Electrical:

Heater, for Unipotential Cathode:

Voltage (AC or DC) ^a	6.0 ± 10%	volts
Current at heater volts = 6.0	2.6	amp
Minimum heating time.	30	sec

Mu-Factor, Grid No.2 to Grid No.1,
 for grid-No.2 volts = 300 and
 grid-No.2 ma. = 50.

5

Direct Interelectrode Capacitances:^b

Grid No.1 to plate.	0.03	μμf
Grid No.1 to cathode, grid No.2, and heater.	16	μμf
Plate to cathode, grid No.2, and heater.	4.4	μμf

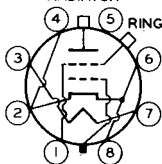
Mechanical:

Operating Position.	Any
Maximum Overall Length.	2.404"
Maximum Seated Length	1.850"
Maximum Diameter.	1.640"
Weight (Approx.).	4 oz
Radiator.	Integral part of tube
Socket.	Air-System Socket, such as Johnson No.124-110-1 ^c (Supplied with Air Chimney)
Base.	Special 8-Pin

BOTTOM VIEW

RADIATOR

- Pin 1 - Grid No.2^d
- Pin 2 - Cathode
- Pin 3 - Heater
- Pin 4 - Cathode
- Pin 5 - Do Not Use
- Pin 6 - Cathode
- Pin 7 - Heater



- Pin 8 - Cathode
- Base Index Plug -
Grid No.1
- Radiator - Plate
- Ring Terminal^e -
Grid No.2

Air Flow:

Through indicated air-system socket—This fitting directs the air over the base seals; past the grid-No.2 seal, glass envelope, and plate seal; and through the radiator to provide effective cooling with minimum air flow. When the tube is operated at maximum plate dissipation for each class of service, a minimum air flow of 5.6 cfm

← Indicates a change.



7034/4X150A

through the system is required. The corresponding pressure drop is 0.45 inch of water. These requirements are for operation at sea level and at an ambient temperature of 20° C. At higher altitudes and ambient temperatures, the air flow must be increased to maintain the respective seal temperatures and the plate temperature within maximum ratings.

Without air-system socket—If an air-system socket is not used, it is essential that adequate cooling air be directed over the base seals, past the envelope, and through the radiator. Under these conditions and with the tube operating at maximum plate dissipation for each class of service, a minimum air flow of 5.3 cfm must pass through the radiator. The corresponding pressure drop is 0.28 inch of water. These requirements are for operation at sea level and at an ambient temperature of 20° C. At higher altitudes and ambient temperatures, the air flow must be increased to maintain the respective seal temperatures and the plate temperature within maximum ratings.

Plate Temperature (Measured on base end of plate surface at junction with fins)	250 max.	°C
Temperature of Plate Seal	200 max.	°C
Temperature of Base Seals and Grid-No.2 Seal	175 max.	°C

AF POWER AMPLIFIER & MODULATOR — Class AB₁^f

Maximum CCS^g Ratings, Absolute-Maximum Values:

DC PLATE VOLTAGE	2000 max.	volts
DC GRID-No.2 (SCREEN-GRID) VOLTAGE	400 max.	volts
MAX.-SIGNAL DC PLATE CURRENT ^h	250 max.	ma
GRID-No.2 INPUT ^h	12 max.	watts
PLATE DISSIPATION ^h	250 max.	watts
PEAK HEATER-CATHODE VOLTAGE:		
Heater negative with respect to cathode.	150 max.	volts
Heater positive with respect to cathode.	150 max.	volts

Typical CCS Operation:

Values are for 2 tubes

DC Plate Voltage	800	1000	1500	2000	volts
DC Grid-No.2 Voltage	300	300	300	300	volts
DC Grid-No.1 (Control-Grid) Voltage	-40	-43	-50	-50	volts
Peak AF Grid-No.1-to-Grid-No.1 Voltage	80	86	100	100	volts
Zero-Signal DC Plate Current	210	165	100	100	ma
Max.-Signal DC Plate Current	435	450	456	470	ma
Zero-Signal DC Grid-No.2 Current	0	0	0	0	ma
Max.-Signal DC Grid-No.2 Current	76	52	42	36	ma



7034/4X150A

Effective Load Resistance (Plate to plate)	4400	4250	6570	8760	ohms
Max.-Signal Driving Power (Approx.)	0	0	0	0	watts
Max.-Signal Power Output (Approx.)	170	230	400	580	watts

Maximum Circuit Values:

Grid-No.1-Circuit Resistance (Per tube)	0.1 max.	megohm
---	----------	--------

AF POWER AMPLIFIER & MODULATOR — Class AB₂^j

Maximum CCS^g Ratings, Absolute-Maximum Values:

DC PLATE VOLTAGE.	2000 max.	volts
DC GRID-No.2 (SCREEN-GRID) VOLTAGE.	400 max.	volts
MAX.-SIGNAL DC PLATE CURRENT ^h	250 max.	ma
GRID-No.2 INPUT ^h	12 max.	watts
PLATE DISSIPATION ^h	250 max.	watts
GRID-No.1 (CONTROL-GRID) INPUT.	2 max.	watts
PEAK HEATER-CATHODE VOLTAGE:		
Heater negative with respect to cathode.	150 max.	volts
Heater positive with respect to cathode	150 max.	volts

Typical CCS Operation:

Values are for 2 tubes

DC Plate Voltage.	800	1000	1500	2000	volts
DC Grid-No.2 Voltage.	300	300	300	300	volts
DC Grid-No.1 Voltage.	-40	-45	-50	-50	volts
Peak AF Grid-No.1-to-					
Grid-No.1 Voltage	90	98	106	106	volts
Zero-Signal DC Plate Current.	210	166	100	100	ma
Max.-Signal DC Plate Current.	500	493	500	500	ma
Zero-Signal DC Grid-No.2					
Current	0	0	0	0	ma
Max.-Signal DC Grid-No.2					
Current	80	58	46	36	ma
Effective Load Resistance (Plate to plate).	3140	3950	5970	8100	ohms
Max.-Signal Driving Power (Approx.)	0.15	0.15	0.2	0.2	watt
Max.-Signal Power Output (Approx.)	215	270	440	630	watts

RF POWER AMPLIFIER — Class B Television Service

Synchronizing-level conditions per tube unless otherwise specified

Maximum CCS^g Ratings, Absolute-Maximum Values:

54 to 216 Mc

DC PLATE VOLTAGE.	1250 max.	volts
DC GRID-No.2 (SCREEN-GRID) VOLTAGE.	400 max.	volts
DC GRID-No.1 (CONTROL-GRID) VOLTAGE	-250 max.	volts
DC PLATE CURRENT (AVERAGE) ^k	250 max.	ma



7034/4X150A

GRID-No.2 INPUT	12 max.	watts
GRID-No.1 INPUT	2 max.	watts
PLATE DISSIPATION	250 max.	watts
PEAK HEATER-CATHODE VOLTAGE:		
Heater negative with respect to cathode. .	150 max.	volts
Heater positive with respect to cathode. .	150 max.	volts

Typical CCS Operation:

With bandwidth of 5 Mc

DC Plate Voltage.	750	1000	1250	volts
DC Grid-No.2 Voltage.	300	300	300	volts
DC Grid-No.1 Voltage.	-60	-65	-70	volts
Peak RF Grid-No.1 Voltage:				
Synchronizing level	85	95	100	volts
Pedestal level.	65	70	75	volts
DC Plate Current:				
Synchronizing level	335	330	305	ma
Pedestal level.	245	240	230	ma
DC Grid-No.2 Current:				
Synchronizing level	50	45	45	ma
Pedestal level.	20	15	10	ma
DC Grid-No.1 Current:				
Synchronizing level	15	20	25	ma
Pedestal level.	4	4	4	ma
Driver Power Output (Approx.): ¹				
Synchronizing level	7	8	9	watts
Pedestal level.	4.25	4.7	5.5	watts
Useful Power Output (Approx.):				
Synchronizing level	135	200	250	watts
Pedestal level.	75	110	140	watts

LINEAR RF POWER AMPLIFIER

Single-Sideband Suppressed-Carrier Service

Maximum Ratings, Absolute-Maximum Values:

	Up to 150 Mc		Up to 500 Mc	
	CCS ^g	ICAS ^m	CCS ^g	
DC PLATE VOLTAGE.	2000 max.	2250 max.	1250 max.	volts
DC GRID-No.2 (SCREEN-GRID) VOLTAGE	400 max.	400 max.	400 max.	volts
MAX.-SIGNAL DC				
PLATE CURRENT	250 max.	280 max.	250 max.	ma
GRID-No.2 INPUT	12 max.	12 max.	12 max.	watts
PLATE DISSIPATION	250 max.	250 max.	300 max.	watts
PEAK HEATER-				
CATHODE VOLTAGE:				
Heater negative with respect to cathode.	150 max.	150 max.	150 max.	volts
Heater positive with respect to cathode.	150 max.	150 max.	150 max.	volts

→ indicates a change.



7034/4X150A

Typical Class AB₁ "Single-Tone" Operation up to 150 Mc:ⁿ

	CCS ^g			ICAS ^m	
DC Plate Voltage	1000	1500	1800	2000	volts
DC Grid-No.2 Voltage ^p	300	300	300	300	volts
DC Grid-No.1 (Control-Grid) Voltage	-50	-50	-50	-48	volts
Zero-Signal DC Plate Current	50	50	50	60	ma
Zero-Signal DC Grid-No.2 Current	0	0	0	0	ma
Effective RF Load Resistance	1860	3280	4140	4270	ohms
Max.-Signal DC Plate Current	225	225	225	250	ma
Max.-Signal DC Grid-No.2 Current	11	11	11	9	ma
Max.-Signal Peak RF Grid-No.1 Voltage	50	50	50	48	volts
Max.-Signal Driving Power (Approx.)	0	0	0	0	watts
Max.-Signal Power Output (Approx.)	115	200	250	290	watts

Maximum Circuit Values (CCS or ICAS):

Grid-No.1-Circuit Resistance under Any Condition:

With fixed bias	25000 max.	ohms
With cathode bias	Not recommended	

PLATE-MODULATED RF POWER AMPLIFIER — Class C Telephony

Carrier conditions per tube for use with a max. modulation factor of 1

Maximum CCS^g Ratings, Absolute-Maximum Values:

	Up to 150 Mc	150 to 500 Mc	
DC PLATE VOLTAGE	1600 max.	1000 max.	volts
DC GRID-No.2 (SCREEN-GRID) VOLTAGE	300 max.	300 max.	volts
DC GRID-No.1 (CONTROL-GRID) VOLTAGE	-250 max.	-250 max.	volts
DC PLATE CURRENT	200 max.	200 max.	ma
GRID-No.2 INPUT	10 max.	10 max.	watts
GRID-No.1 INPUT	2 max.	2 max.	watts
PLATE DISSIPATION	165 max.	165 max.	watts
PEAK HEATER-CATHODE VOLTAGE:			
Heater negative with respect to cathode	150 max.	150 max.	volts
Heater positive with respect to cathode	150 max.	150 max.	volts

Typical CCS Operation:

Up to 150 Mc

DC Plate Voltage	1200	1600	volts
DC Grid-No.2 Voltage (Modulated approx. 55%) ^q	250	250	volts

← Indicates a change.



7034/4X150A

DC Grid-No.1 Voltage ^r	-118	-118	volts
Peak AF Grid-No.2 Voltage (For 100% modulation).	180	200	volts
Peak RF Grid-No.1 Voltage	136	136	volts
DC Plate Current.	200	200	ma
DC Grid-No.2 Current.	23	23	ma
DC Grid-No.1 Current (Approx.).	5	5	ma
Driving Power (Approx.)	2	3	watts
Power Output (Approx.).	150	230	watts

At 165 Mc

DC Plate Voltage.	400	600	800	1000	volts
DC Grid-No.2 Voltage (Modulated approx. 55%) ^q	250	250	250	250	volts
DC Grid-No.1 Voltage.	-90	-95	-100	-105	volts
Peak AF Grid-No.2 Voltage (For 100% modulation)	140	150	160	170	volts
Peak RF Grid-No.1 Voltage	110	120	120	125	volts
DC Plate Current.	200	200	200	200	ma
DC Grid-No.2 Current.	40	35	25	20	ma
DC Grid-No.1 Current (Approx.).	7	8	10	15	ma
Driving Power (Approx.)	1	1	1.5	2	ma
Power Output (Approx.).	55	80	100	140	watts

Maximum Circuit Values:

Grid-No.1-Circuit Resistance under Any Condition	25000 max.	ohms
---	------------	------

**RF POWER AMPLIFIER & OSCILLATOR — Class C Telegraphy^q
and**

RF POWER AMPLIFIER — Class C FM Telephony

Maximum CCS^q Ratings, Absolute-Maximum Values:

	<i>Up to 150 Mc</i>	<i>150 to 500 Mc</i>	
DC PLATE VOLTAGE.	2000 max.	1250 max.	volts
DC GRID-No.2 (SCREEN-GRID) VOLTAGE	300 max.	300 max.	volts
DC GRID-No.1 (CONTROL-GRID) VOLTAGE	-250 max.	-250 max.	volts
DC PLATE CURRENT.	250 max.	250 max.	ma
GRID-No.2 INPUT	12 max.	12 max.	watts
GRID-No.1 INPUT	2 max.	2 max.	watts
PLATE DISSIPATION	250 max.	250 max.	watts
PEAK HEATER-CATHODE VOLTAGE:			
Heater negative with respect to cathode.	150 max.	150 max.	volts
Heater positive with respect to cathode.	150 max.	150 max.	volts

Typical CCS Operation:

Up to 150 Mc

DC Plate Voltage.	1500	2000	volts
DC Grid-No.2 Voltage.	250	250	volts



7034/4X150A

DC Grid-No.1 Voltage.	-88	-88	volts
Peak RF Grid-No.1 Voltage	110	110	volts
DC Plate Current.	250	250	ma
DC Grid-No.2 Current.	24	24	ma
DC Grid-No.1 Current (Approx.).	8	8	ma
Driving Power (Approx.)	1.5	2.5	watts
Power Output (Approx.).	260	370	watts

At 165 Mc

DC Plate Voltage.	600	750	1000	1250	volts
DC Grid-No.2 Voltage.	250	250	250	250	volts
DC Grid-No.1 Voltage.	-75	-80	-80	-90	volts
Peak RF Grid-No.1 Voltage	91	96	95	106	volts
DC Plate Current.	200	200	200	200	ma
DC Grid-No.2 Current	37	37	31	20	ma
DC Grid-No.1 Current (Approx.).	11	11	10	11	ma
Driving Power (Approx.)	1	1	1	1.2	watts
Power Output (Approx.):	85	110	150	195	watts

At 500 Mc with coaxial cavity

DC Plate Voltage.	600	800	1000	1250	volts
DC Grid-No.2 Voltage.	250	250	250	280	volts
DC Grid-No.1 Voltage.	-110	-110	-110	-115	volts
DC Plate Current.	170	200	200	200	ma
DC Grid-No.2 Current.	6	7	7	5	ma
DC Grid-No.1 Current (Approx.).	6	10	10	10	ma
Driver Power Output (Approx.) ¹	15	20	25	30	watts
Useful Power Output (Approx.)	50	95	120	140	watts

Maximum Circuit Values:

Grid-No.1-Circuit Resistance
under Any Condition 25000 max. ohms

^a Because the cathode is subjected to considerable back bombardment as the frequency is increased with resultant increase in temperature, the heater voltage should be reduced depending on operating conditions and frequency to prevent overheating the cathode and resultant short life.

^b with cylindrical shield JEDEC No.320 surrounding radiator; and with a cylindrical shield JEDEC No.321 surrounding the grid-No.2 ring terminal. Both shields are connected to ground.

^c Available from E.F. Johnson Co., Waseca, Minn.

^d For use at lower frequencies.

^e For use at higher frequencies.

^f Subscript 1 indicates that grid-No.1 current does not flow during any part of the input cycle.

^g Continuous Commercial Service.

^h Averaged over any audio-frequency cycle of sine-wave form.

^j Subscript 2 indicates that grid-No.1 current flows during some part of the input cycle.

^k Averaged over any frame.

^l The driver stage is required to supply tube losses and rf-circuit losses. The driver stage should be designed to provide an excess of power above the indicated values to take care of variations in line voltage, in components, in initial tube characteristics, and in tube characteristics during life.

^m Intermittent commercial and Amateur Service.

ⁿ "Single-Tone" operation refers to that class of amplifier service in which the grid-No.2 input consists of a monofrequency rf signal having constant amplitude. This signal is produced in a single-sideband suppressed-carrier system when a single audio frequency of constant amplitude is applied to the input of the system.



7034/4X150A

- P** Preferably obtained from a fixed supply.
- Q** The dc grid-No.2 voltage must be modulated approximately 55% in phase with the plate modulation in order to obtain 100% modulation of the 7034/4X150A. The use of a series grid-No.2 resistor or reactor may not give satisfactory performance and is therefore not recommended.
- R** Obtained from grid-No.1 resistor or from a combination of grid-No.1 resistor with either fixed supply or cathode resistor.
- S** Key-down conditions per tube without amplitude modulation. Amplitude modulation essentially negative may be used if the positive peak of the audio-frequency envelope does not exceed 115% of the carrier conditions.

CHARACTERISTICS RANGE VALUES FOR EQUIPMENT DESIGN

	Note	Min.	Max.	
Heater Current	1	2.3	2.9	amp
Direct Interelectrode Capacitances:				
Grid No.1 to plate	2	-	0.05	$\mu\mu\text{f}$
Grid No.1 to cathode, grid No.2, and heater	2	14.5	17.0	$\mu\mu\text{f}$
Plate to cathode, grid No.2, and heater	2	4.0	4.8	$\mu\mu\text{f}$
Grid-No.1 Voltage	1,3,4,5	-32	-46	volts
Grid-No.2 Current	1,3,4,5	-5	3	ma
Power Output	4,5,6	100	-	watts

Note 1: With 6.0 volts on heater.

Note 2: With cylindrical shield JEDEC No.320 surrounding radiator; and with a cylindrical shield JEDEC No.321 surrounding the grid-No.2 ring terminal. Both shields are connected to ground.

Note 3: With dc plate volts = 1000, dc grid-No.2 volts = 300, and grid-No.1 voltage adjusted to give plate current of 150 milliamperes.

Note 4: With forced-air cooling as specified under GENERAL DATA for *Air-System Socket*.

Note 5: Heater voltage must be applied for at least 30 seconds before application of other voltages.

Note 6: With heater volts = 5.5, dc plate volts = 1000, dc grid-No.2 volts = 250, dc grid-No.1 volts = -90, maximum dc grid-No.1 milliamperes = 20, grid-No.1 signal voltage adjusted to give dc plate current of 200 milliamperes, and a frequency of 475 Mc.

SPECIAL PERFORMANCE DATA

Interelectrode Leakage:

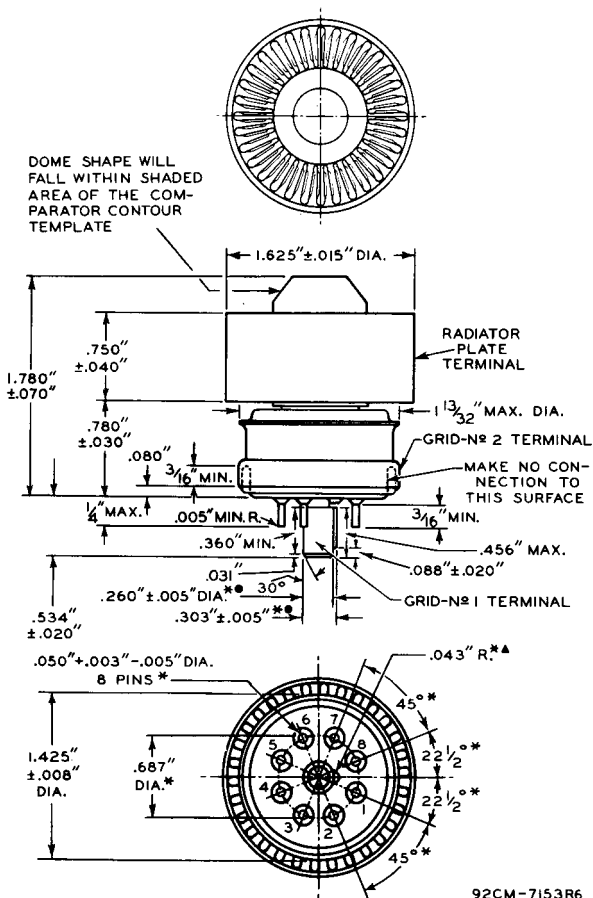
This test is destructive and is performed on a sample lot of tubes from each production run under the following conditions: ac heater volts = 6.6, no voltage on other elements, and specified forced-air cooling for *Air-System Socket*. At the end of 500 hours, with tube at 25° C, and with no voltage applied to heater, the minimum resistance between indicated electrodes as measured with a 500-volt Megger-type ohmmeter having an internal impedance of 2.5 megohms, will be:

Grid No.1 and Grid No.2	10 min.	megohms
Grid No.1 and Cathode	10 min.	megohms
Grid No.2 and Cathode	10 min.	megohms

→ Indicates a change.



7034/4X150A



GRID-NO. 1 PLUG DIMENSIONS ARE MEASURED BY THE USE OF THE SERIES OF GAUGES SHOWN IN SKETCHES G₁ AND G₂. IN THE FOLLOWING INSTRUCTIONS FOR THE USE OF THESE GAUGES, "GO" INDICATES THAT THE ENTIRE GRID-NO. 1 PLUG KEY WILL ENTER THE GAUGE; AND "NO-GO" INDICATES THAT THE GRID-NO. 1 PLUG KEY WILL NOT ENTER THE GAUGE MORE THAN 1/16". INSTRUCTIONS FOR THE USE OF THE GAUGES FOLLOW:

▲, ●, *: See next page.



7034/4X150A

▲ GAUGES G_1-1 , G_1-2 , G_1-3 , AND G_1-4 :

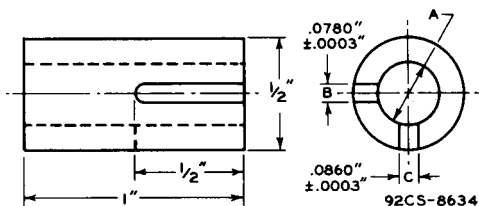
USING ONLY SLOT C, TRY THESE GAUGES IN NUMERICAL ORDER UNTIL ONE IS FOUND THAT WILL ACCEPT THE ENTIRE GRID-NO. 1 PLUG. USING THE FIRST GAUGE THUS FOUND, IT WILL NOT BE POSSIBLE TO INSERT THE GRID-NO. 1 PLUG IN SLOT B.

● GAUGES G_2-1 , G_2-2 , AND G_3-3 :

THE GRID-NO. 1 PLUG WILL BE REJECTED BY GAUGES G_2-1 AND G_2-2 , BUT WILL BE ACCEPTED BY GAUGE G_2-3 .

* BASE-PIN POSITIONS ARE HELD TO TOLERANCES SUCH THAT THE ENTIRE LENGTH OF THE PINS WILL, WITHOUT UNDUE FORCE, PASS INTO AND DISENGAGE FROM THE FLAT-PLATE GAUGE SHOWN IN SKETCH G_3 .

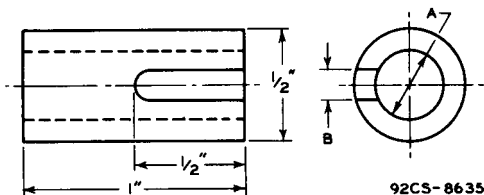
GAUGE SKETCH G_1



Gauge	Dimension A
G_1-1	.2575" + .0000" - .0005"
G_1-2	.2600" + .0000" - .0005"
G_1-3	.2625" + .0000" - .0005"
G_1-4	.2650" + .0000" - .0005"

7034/4X150A

GAUGE SKETCH G₂



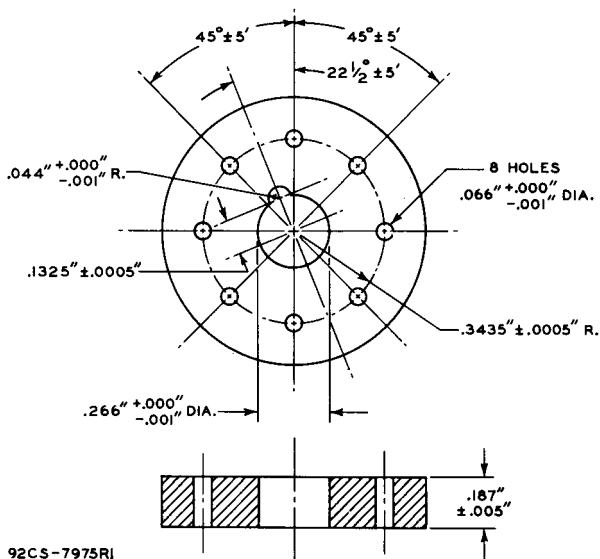
92CS-8635

Gauge	Dimension	
	A	B
G ₂ -1	.2550" + .0000" - .0005"	.125"
G ₂ -2	.2980" + .0000" - .0005"	none
G ₂ -3	.3080" + .0000" - .0005"	none



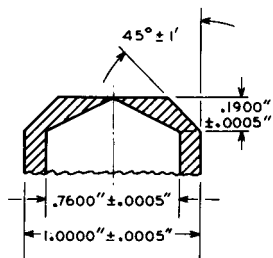
7034/4X150A

GAUGE SKETCH G₃



TOLERANCES ARE NOT CUMULATIVE

COMPARATOR CONTOUR TEMPLATE

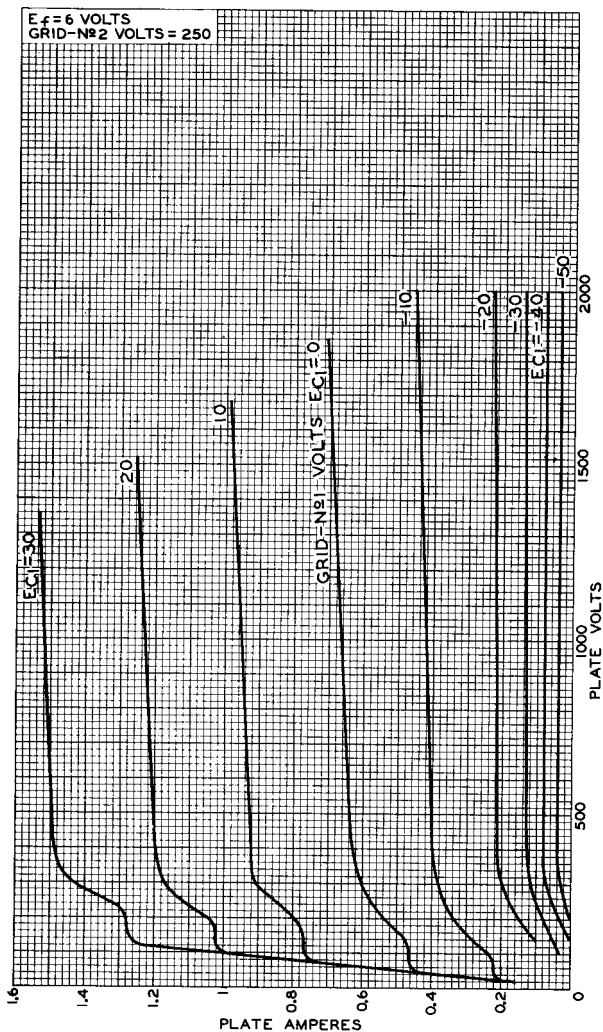


92CS-10554R1



7034/4X150A

TYPICAL PLATE CHARACTERISTICS



92CM - 9755

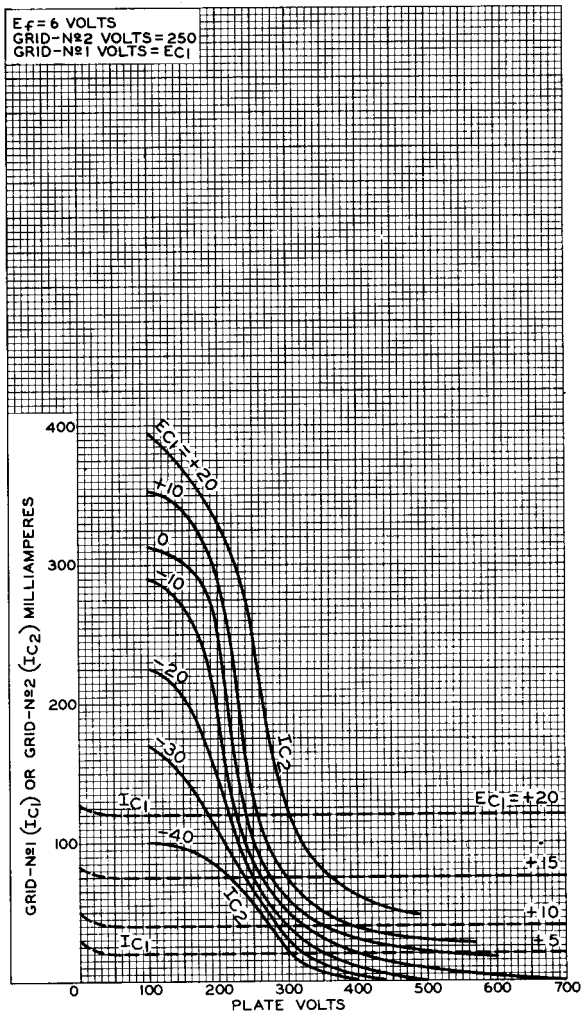


RADIO CORPORATION OF AMERICA
Electron Tube Division
Harrison, N. J.

DATA 7
9-62

7034/4X150A

TYPICAL CHARACTERISTICS

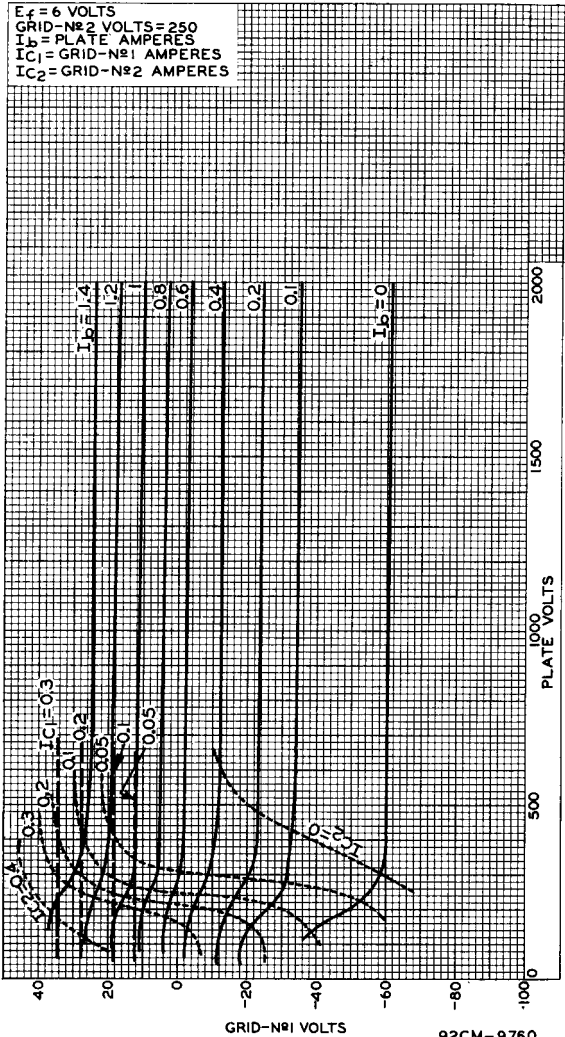


92CM-9756



7034/4X150A

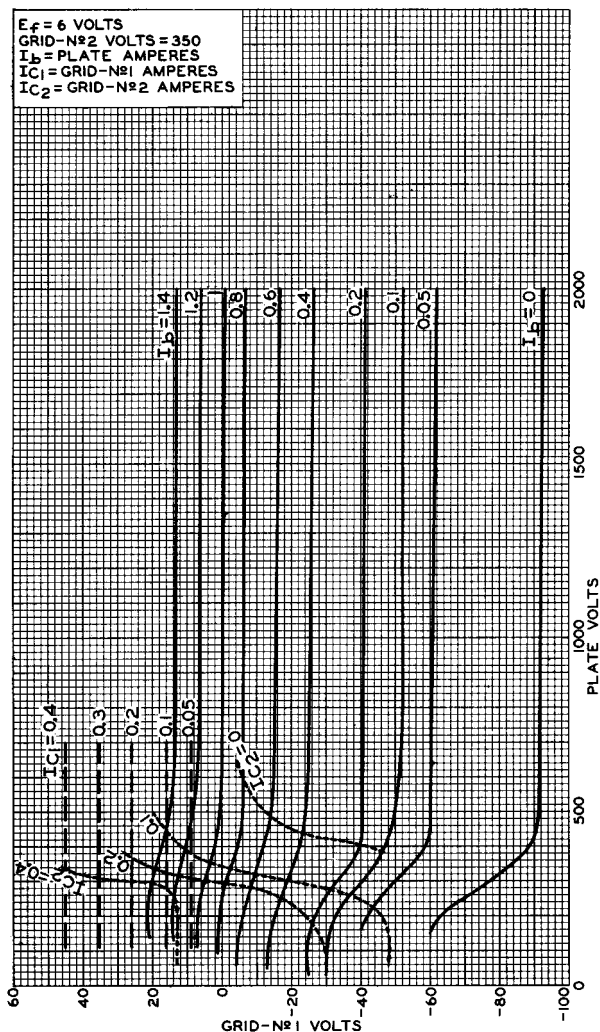
TYPICAL CONSTANT-CURRENT CHARACTERISTICS



7034/4X150A

TYPICAL CONSTANT-CURRENT CHARACTERISTICS

$E_f = 6$ VOLTS
GRID-N^o2 VOLTS = 350
 I_b = PLATE AMPERES
 I_{C1} = GRID-N^o1 AMPERES
 I_{C2} = GRID-N^o2 AMPERES



92CM-9761

