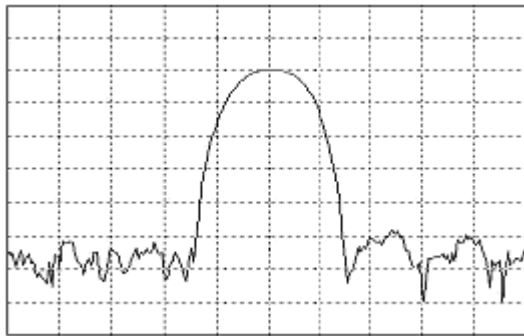
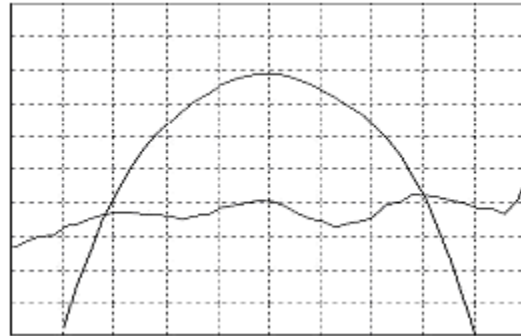


**Data Sheet**

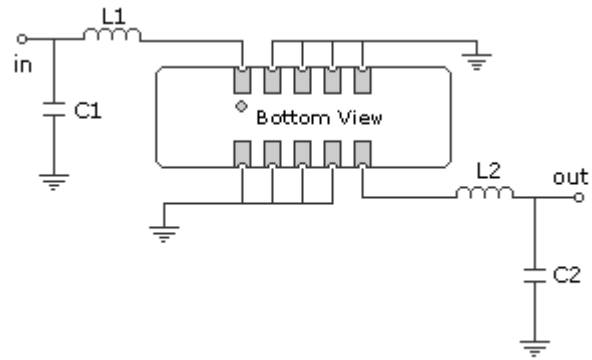
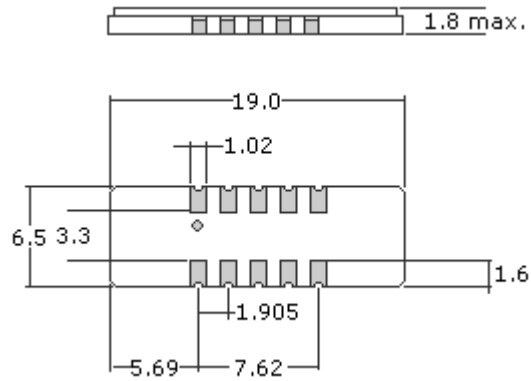
Product Category: IF SAW Filter

Part Number
819-IF70.0M-UPackage
19 x 6.5 SMDApplication
Base Station & RepeaterLast Modified
May 02 2003**TYPE :**70.0 MHz Bandpass Filter
0.47 MHz Bandwidth**PART NUMBER :****819-IF70.0M-U**Horizontal : 0.5 MHz/Div
Vertical : 10 dB/DivHorizontal : 0.1 MHz/Div
Vertical : 1 dB/Div
Vertical : 100 ns/Div**OPERATING CONDITIONS / ELECTRICAL CHARACTERISTICS**

PARAMETERS	Minimum	Typical	Maximum	Units
Center Frequency	69.97	70.00	70.03	MHz
Insertion Loss	-	13.7	15.0	dB
1dB Bandwidth	0.30	0.39	-	MHz
3dB Bandwidth	0.47	0.59	-	MHz
40dB Bandwidth	-	1.395	1.42	MHz
Passband Ripple	-	0.8	1.5	dB
Group Delay Variation	-	300	500	nsec
Absolute Delay	-	2.5	-	µsec
Ultimate Rejection	40	50	-	dB
Substrate Material	-	Quartz	-	-
Ambient Temperature	-	25	-	°C
Phase Linearity	-	3.0	6.0	degc

* Custom SAW IF Filters available. Contact Oscilent for assistance.

PACKAGE OUTLINE (mm)**TEST FIXTURE**



L1 = 462nH C1 = 47pF
 L2 = 348nH C2 = 56pF
 Source/Load Impedance = 50 ohms

Part No.: 819-IF70.0M-U

Oscilent Corporation - CALL **949.252.0522**

17962 Sky Park Circle, Building D, Irvine, CA 92614, USA
 Fax: 949.252.0599, E-Mail: Sales@Oscilent.com