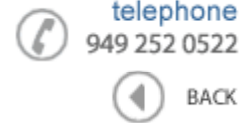


**Data Sheet**
 telephone  
 949 252 0522


BACK

Product Category: IF SAW Filter

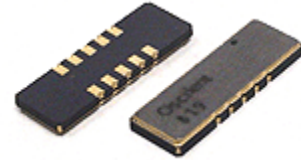
 Part Number  
 819-IF70.0M-X

 Package  
 19 x 6.5 SMD

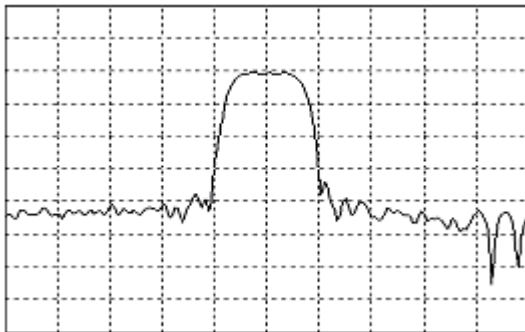
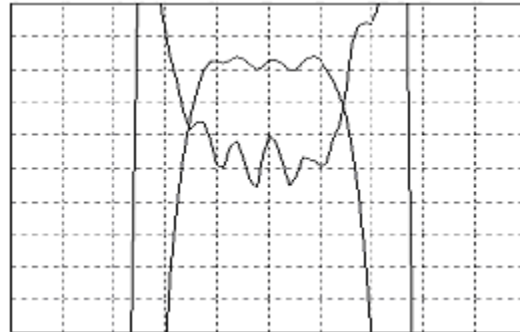
 Application  
 Base Station & Repeater

 Last Modified  
 May 02 2003

## TYPE :

 70.0 MHz Bandpass Filter  
 1.10 MHz Bandwidth


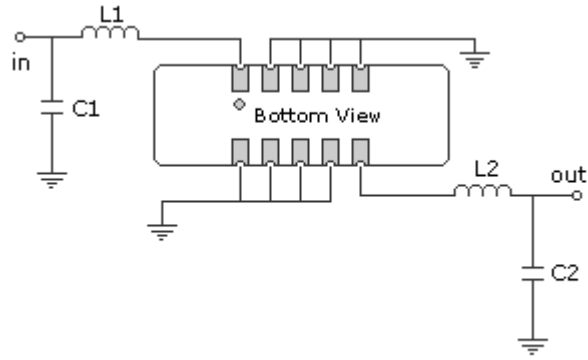
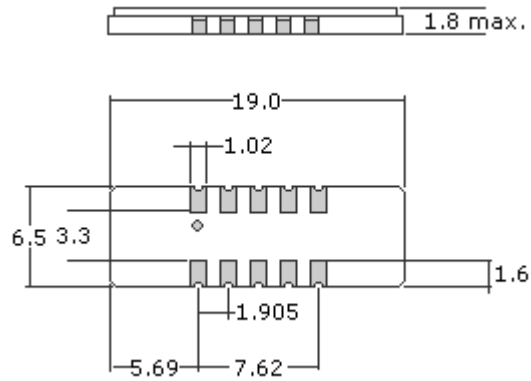
## PART NUMBER :

**819-IF70.0M-X**
 Horizontal : 1.0 MHz/Div  
 Vertical : 10 dB/Div

 Horizontal : 0.4 MHz/Div  
 Vertical : 1 dB/Div  
 Vertical : 100 ns/Div
**OPERATING CONDITIONS / ELECTRICAL CHARACTERISTICS**

PARAMETERS	Minimum	Typical	Maximum	Units
Center Frequency	69.97	70.00	70.03	MHz
Insertion Loss	-	18.2	20.0	dB
1dB Bandwidth	0.95	1.10	-	MHz
3dB Bandwidth	1.1	1.3	-	MHz
40dB Bandwidth	-	2.05	2.20	MHz
Passband Ripple	-	0.5	0.8	dB
Group Delay Variation	-	194	220	nsec
Absolute Delay	-	2.04	-	µsec
Ultimate Rejection	40	45	-	dB
Substrate Material	-	Quartz	-	-
Ambient Temperature	-	25	-	°C
Phase Linearity (Fo ±0.5MHz)	-	3.9	6.0	deg

\* Custom SAW IF Filters available. Contact Oscilent for assistance.

**PACKAGE OUTLINE (mm)****TEST FIXTURE**



L1 = 540nH                      C1 = 62pF  
 L2 = 440nH                      C2 = 39pF  
 Source/Load Impedance = 50 ohms

**Part No.:** 819-IF70.0M-X

**Oscilent Corporation** - CALL **949.252.0522**

17962 Sky Park Circle, Building D, Irvine, CA 92614, USA  
 Fax: 949.252.0599, E-Mail: Sales@Oscilent.com