



**Data Sheet**



Product Category: IF SAW Filter

Part Number  
827-IF70.0M-M

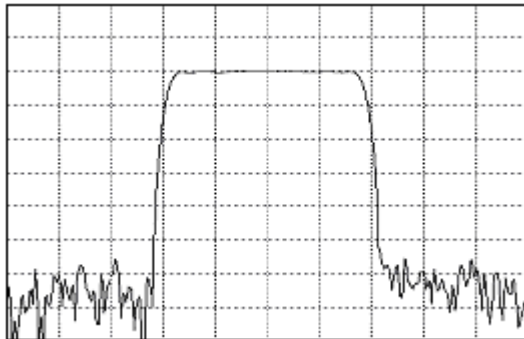
Package  
27.2 x 12.6 Thru Hole

Application  
Base Station & Repeater

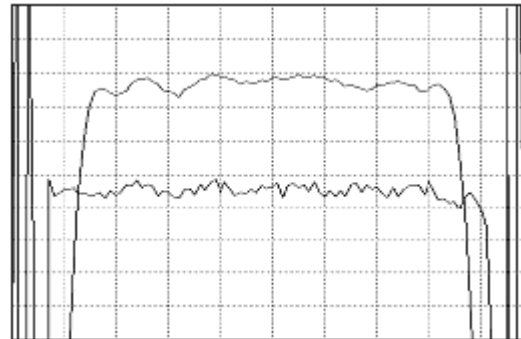
Last Modified  
May 02 2003

TYPE :  
70.0 MHz Bandpass Filter  
7.0 MHz Bandwidth

PART NUMBER :  
**827-IF70.0M-M**



Horizontal : 2.0 MHz/Div  
Vertical : 10 dB/Div



Horizontal : 1.0 MHz/Div  
Vertical : 1 dB/Div  
Vertical : 100 ns/Div

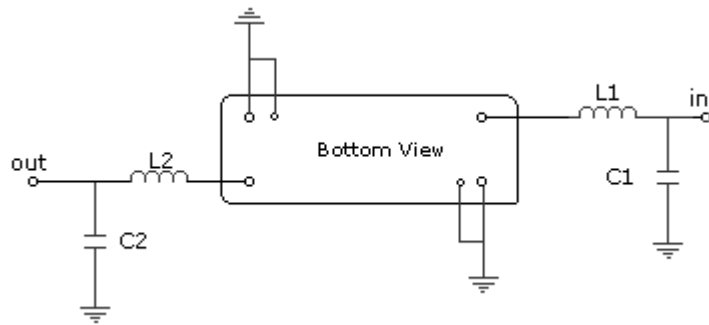
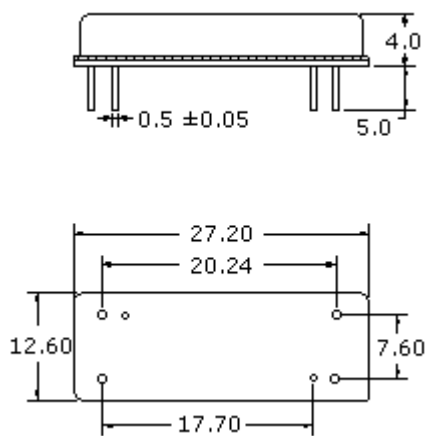
**OPERATING CONDITIONS / ELECTRICAL CHARACTERISTICS**

PARAMETERS	Minimum	Typical	Maximum	Units
Center Frequency	69.94	70.00	70.06	MHz
Insertion Loss	-	20.0	22.0	dB
1dB Bandwidth	6.90	7.00	-	MHz
3dB Bandwidth	7.20	7.30	-	MHz
40dB Bandwidth	-	8.50	8.70	MHz
Passband Ripple	-	0.85	1.0	dB
Group Delay Variation	-	55	100	nsec
Absolute Delay	-	2.95	-	µsec
Ultimate Rejection	50	55	-	dB
Substrate Material	-	LN	-	-
Ambient Temperature	-	25	-	°C

\* Custom SAW IF Filters available. Contact Oscilent for assistance.

**PACKAGE OUTLINE (mm)**

**TEST FIXTURE**



L1 = 120nH            C1 = 56pF  
 L2 = 100nH           C2 = 27pF  
 Source/Load Impedance = 50 ohms

**Oscilent Corporation** - CALL **949.252.0522**

17962 Sky Park Circle, Building D, Irvine, CA 92614, USA  
 Fax: 949.252.0599, E-Mail: Sales@Oscilent.com

**Part No.:** 827-IF70.0M-M

Crystal Oscillators | Quartz Crystal | TCXO | VCXO | IF SAW Filter | RF SAW Filter | Ceramic Resonator  
 Crystal Filter | Ceramic Filter | SAW Filter / SAW Devices | Site Map