



Data Sheet

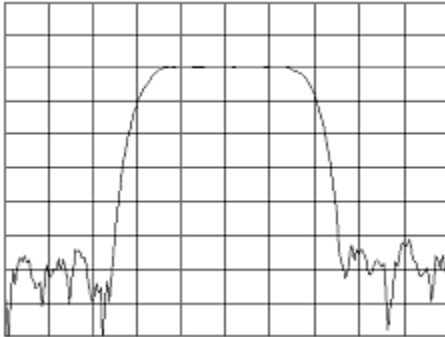


Product Category: IF SAW Filter

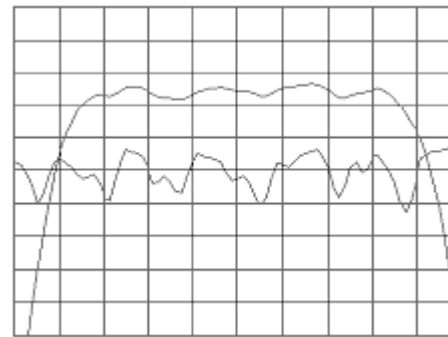
Part Number: 827-IF70.0M-W Package: 27.2 x 12.6 Thru Hole Application: Base Station & Repeater Last Modified: Apr. 14 2003

TYPE :
70.0 MHz Bandpass Filter
1.5 MHz Bandwidth

PART NUMBER :
827-IF70.0M-W



Horizontal : 0.5 MHz/Div
Vertical : 10 dB/Div



Horizontal : 0.2 MHz/Div
Vertical : 1 dB/Div
Vertical : 100 ns/Div

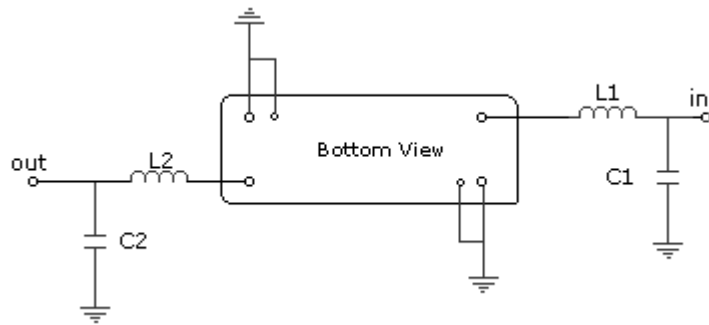
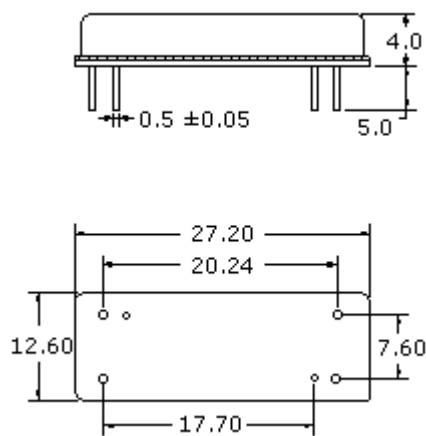
OPERATING CONDITIONS / ELECTRICAL CHARACTERISTICS

PARAMETERS	Minimum	Typical	Maximum	Units
Center Frequency	69.97	70.00	70.03	MHz
Insertion Loss	-	21.6	23.5	dB
1dB Bandwidth	1.3	1.51	-	MHz
3dB Bandwidth	1.5	1.71	-	MHz
40dB Bandwidth	-	2.45	2.7	MHz
Passband Ripple	-	0.37	0.6	dB
Group Delay Variation	-	161	200	nsec
Absolute Delay	-	3.0	-	µsec
Ultimate Rejection	50	55	-	dB
Substrate Material	-	LN	-	-
Ambient Temperature	-	25	-	°C
Phase Linearity	-	2.7	7.0	deg

* Custom SAW IF Filters available. Contact Oscilent for assistance.

PACKAGE OUTLINE (mm)

TEST FIXTURE



L1 = 302nH C1 = 75pF
 L2 = 270nH C2 = 75pF
 Source/Load Impedance = 50 ohms

Oscilent Corporation - CALL **949.252.0522**

17962 Sky Park Circle, Building D, Irvine, CA 92614, USA
 Fax: 949.252.0599, E-Mail: Sales@Oscilent.com

Part No.: 827-IF70.0M-W

Crystal Oscillators | Quartz Crystal | TCXO | VCXO | IF SAW Filter | RF SAW Filter | Ceramic Resonator
 Crystal Filter | Ceramic Filter | SAW Filter / SAW Devices | Site Map