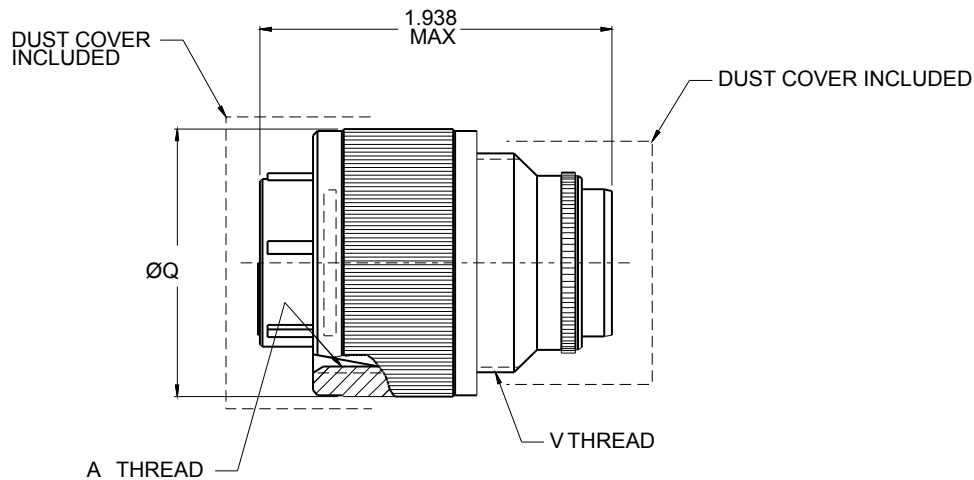
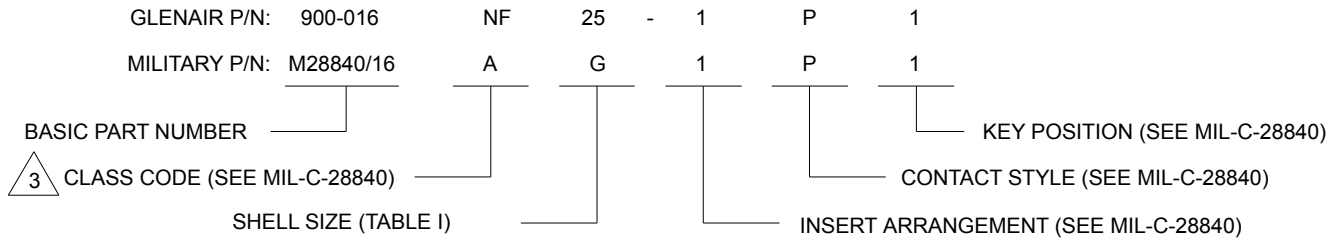


HOW TO ORDER:

TABLE I: CONNECTOR DIMENSIONS

SHELL SIZE	A THREAD CLASS 2B	V THREAD CLASS 2A	ØQ MAX.
11	.750-.1P-.2L-D.S.	3/4-20 UNEF	1.028 (26.1)
13	.875-.1P-.2L-D.S.	7/8-20 UNEF	1.141 (29.0)
15	1.062-.1P-.2L-D.S.	1-20 UNEF	1.263 (32.1)
17	1.125-.1P-.2L-D.S.	1 1/8-18 UNEF	1.387 (35.2)
19	1.312-.1P-.2L-D.S.	1 1/4-18 UNEF	1.513 (38.4)
23	1.500-.1P-.2L-D.S.	1 7/16-18 UNEF	1.703 (43.3)
25	1.625-.1P-.2L-D.S.	1 9/16-18 UNEF	1.825 (46.4)
29	1.812-.1P-.2L-D.S.	1 7/8-16 UN	2.143 (54.4)
33	2.000-.1P-.2L-D.S.	2 1/16-16 UNS	2.329 (59.2)

NOTES:

- INTERPRET PER MIL-STD-100.
- SEE MIL-C-28840 FOR ADDITIONAL DESIGN DETAILS.

3 GLENAIR NF = CLASS A
 GLENAIR ZU = CLASS B