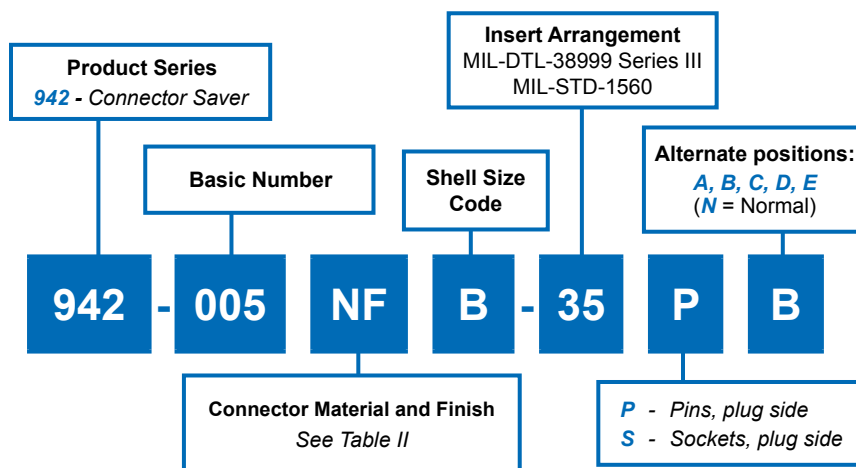


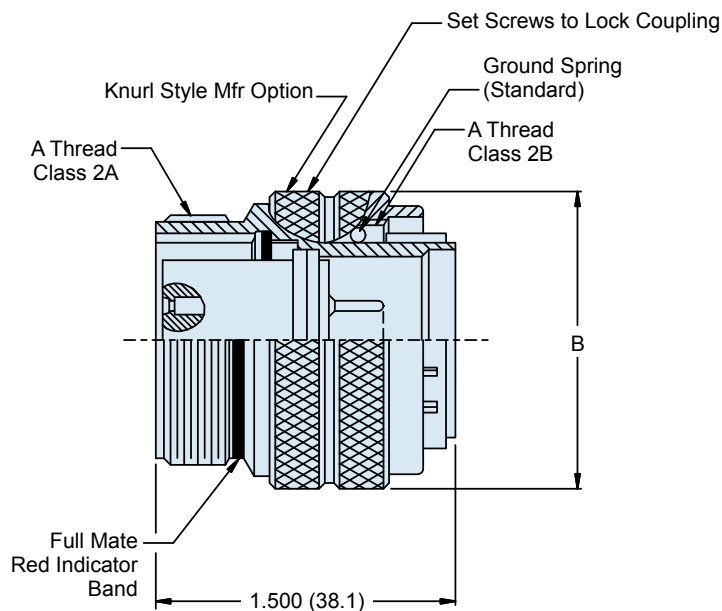
# 942-005

## Sav-Con® Connector Saver Plug/Receptacle

for Use with MIL-DTL-38999 Series III


**TABLE I: CONNECTOR DIMENSIONS**

| SHELL SIZE | SHELL SIZE CODE | A THREAD 0.1P-0.3L-TS-2 | B DIA MAX |
|------------|-----------------|-------------------------|-----------|
| 09         | A               | .6250                   | .859      |
| 11         | B               | .7500                   | .969      |
| 13         | C               | .8750                   | 1.141     |
| 15         | D               | 1.0000                  | 1.266     |
| 17         | E               | 1.1875                  | 1.391     |
| 19         | F               | 1.2500                  | 1.500     |
| 21         | G               | 1.3750                  | 1.625     |
| 23         | H               | 1.5000                  | 1.750     |
| 25         | J               | 1.6250                  | 1.875     |


**APPLICATION NOTES**

- Assembly features straight-thru double ended socket contacts. Power to a given contact on one end will result in power to contact directly opposite regardless of identification.
  - Metric dimensions (mm) are indicated in parentheses.
  - Material/finish:  
Barrel/shell, coupling nut, lock ring—Al alloy
- Contacts, grounding ring—Copper Al alloy/gold plate  
Detent spring—Corrosion resistant material  
Retaining device—CRES/passivate  
O-ring, interfacial & peripheral seals—Fluorosilicone/N.A.  
Insulators—High grade rigid dielectric/ N.A.

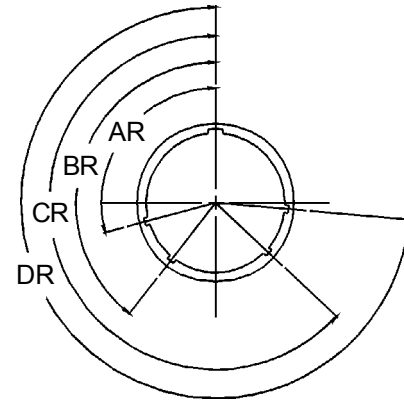
**942-005**  
**Sav-Con® Connector Saver**  
**Plug/Receptacle**  
 for Use with MIL-DTL-38999 Series III



Sav-Con®  
Connector  
Savers



| TABLE II: SHELL FINISHES |          |  |
|--------------------------|----------|--|
| Plating Code             | Material | Finish   |
| M                        | Aluminum | Electroless Nickel                                       |
| B                        | Aluminum | Cad Plate, Olive Drab                                    |
| NF                       | Aluminum | Cadmium Plate Olive Drab over Electroless Nickel         |
| NC                       | Aluminum | Zinc-Cobalt  |
| ZN                       | Aluminum | Olive Drab Zinc-Nickel                                   |
| MT                       | Aluminum | Ni-PTFE 1000 Hour Grey™<br>(Nickel Fluorocarbon Polymer) |



FACE VIEW  
RECEPTACLE

| SERIES III: ALTERNATE KEYWAY POSITIONS |                |                       |     |     |     |     |
|--|----------------|-----------------------|-----|-----|-----|-----|
| Shell Size Code                        | Shell Size Ref | Alternate Keyway Code | AR° | BR° | CR° | DR° |
| A                                      | 09             | N                     | 105 | 140 | 215 | 265 |
|  |                | A                     | 102 | 132 | 248 | 320 |
|  |                | B                     | 80  | 118 | 230 | 312 |
|  |                | C                     | 35  | 140 | 205 | 275 |
|  |                | D                     | 64  | 155 | 234 | 304 |
|  |                | E                     | 91  | 131 | 197 | 240 |
| B<br>C<br>D                            | 11<br>13<br>15 | N                     | 95  | 141 | 208 | 236 |
|  |                | A                     | 113 | 156 | 182 | 292 |
|  |                | B                     | 90  | 145 | 195 | 252 |
|  |                | C                     | 53  | 156 | 220 | 255 |
|  |                | D                     | 119 | 146 | 176 | 298 |
|  |                | E                     | 51  | 141 | 184 | 242 |
| E<br>F                                 | 17<br>19       | N                     | 80  | 142 | 196 | 293 |
|  |                | A                     | 135 | 170 | 200 | 310 |
|  |                | B                     | 49  | 169 | 200 | 244 |
|  |                | C                     | 66  | 140 | 200 | 257 |
|  |                | D                     | 62  | 145 | 180 | 280 |
|  |                | E                     | 79  | 153 | 197 | 272 |
| G<br>H<br>J                            | 21<br>23<br>25 | N                     | 80  | 142 | 196 | 293 |
|  |                | A                     | 135 | 170 | 200 | 310 |
|  |                | B                     | 49  | 169 | 200 | 244 |
|  |                | C                     | 66  | 140 | 200 | 257 |
|  |                | D                     | 62  | 145 | 180 | 280 |
|  |                | E                     | 79  | 153 | 197 | 272 |

F