

## CXA-2081 (3.5W SINGLE OUTPUT)

### DESCRIPTION :

This DC to AC Inverter was developed for notebook computer and many other low LCD Backlight power supply as low profile applications, either for Note Book PC or Industrial.

Applicable LCD; 8 to 14 inches single lamp type

Lamp Voltage 500Vrms typ.

Lamp Current 7mArms typ.

(Maximum Output Power for Lamp 3.5W)

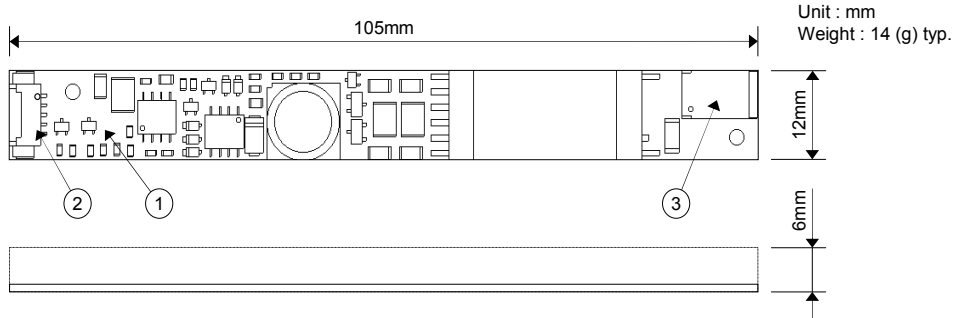
### FEATURES :

- Current Feedback Circuit
- High Efficiency
- Low noise with voltage resonant circuit
- Regulated output current
- Two Power Mode (High Power Mode & Normal Mode)

### TEMPERATURE & HUMIDITY :

- Operating Temperature Range 0 °C ~ +50 °C
- Storage Temperature Range -30 °C ~ +85 °C
- Humidity 95 %RH max

### DIMENSIONS :



No.	Part Description	Qty.	Note
1	PWB UL94V-0 t=0.8mm	1	
2	CN1 53261-0590 (Molex)	1	Recommended Mate : 51021-0500 (Molex)
3	CN2 SM02B-BHSS-1-TB (JST)	1	Recommended Mate : BHSR-02VS-1 (JST)

#### CN1 : 53261-0510 (Molex)

Pin	Symbol	Note
CN1-1	Vin	8~16Vdc
CN1-2	GND	0Vdc
CN1-3	Vrmt	0 / 5~16Vdc (High Active)
CN1-4	Vbr	0~3Vdc
CN1-5	Vsave	0Vdc : High Power Mode / Open : Normal Mode

#### CN2 : SM02B-BHSS-1-TB (JST)

Pin	Symbol	Note
CN2-1	Vhigh	500Vrms (7mArms)
CN2-2	Vlow	(0.6V)



## Power Systems – The Power Solution

Web: [www.Power-Systems.de](http://www.Power-Systems.de)  
Email: [Info@Power-Systems.de](mailto:Info@Power-Systems.de)

Address: Dörnet 8 ; 74360 Ilsfeld-Auenstein / Germany  
Tel. : + 49 / 70 62 / 67 59 - 6  
Fax: + 49 / 70 62 / 67 59 - 80

## ELECTRICAL CHARACTERISTICS :

### Normal Mode (CN1-5 : Open)

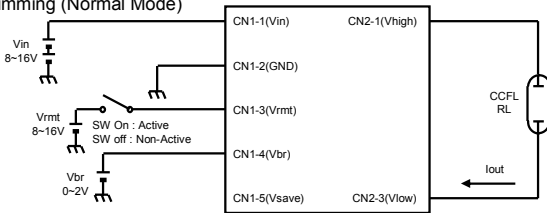
Parameters	Symbol	Conditions				Specifications			Unit	Note
		Vin (V)	Vbr (V)	Ta (°C)	RL (kΩ)	min.	typ.	max.		
Output Current (Lamp Current)	Iout	8~16	0±0.05	0~50	140±5	2.6	3.5	3.9	mArms	Max. Brightness
		12±0.05	2±0.05	23±5	140±5	0.5	1.0	1.5		Min. Brightness
Input Current	Iin				140±5	-	200	400	mA	
Frequency	FL	8~16	0~2	0~50		45	55	65	kHz	
Open Voltage	Vopen				∞	1500	1600	-	Vrms	

### High Power Mode (CN1-5 : 0V)

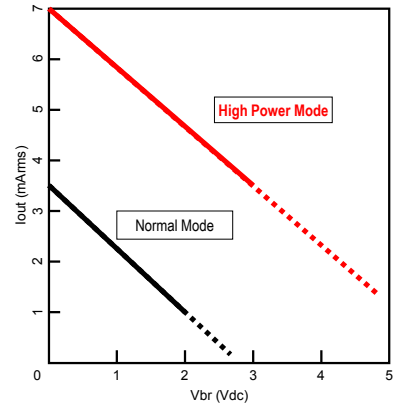
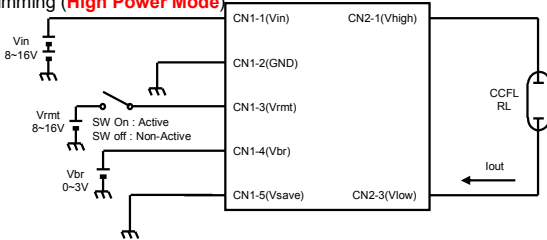
Parameters	Symbol	Conditions				Specifications			Unit	Note
		Vin (V)	Vbr (V)	Ta (°C)	RL (kΩ)	min.	typ.	max.		
Output Current (Lamp Current)	Iout	8~16	0±0.05	0~50	70±5	6.6	7.0	7.4	mArms	Max. Brightness
		12±0.05	3±0.05	23±5	70±5	2.5	3.0	3.5		Min. Brightness
Input Current	Iin				70±5	-	400	700	mA	
Frequency	FL	8~16	0~3	0~50		45	55	65	kHz	
Open Voltage	Vopen				∞	1500	1600	-	Vrms	

## APPLICATION (for example)

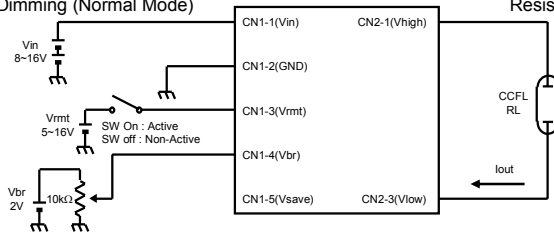
### Voltage Dimming (Normal Mode)



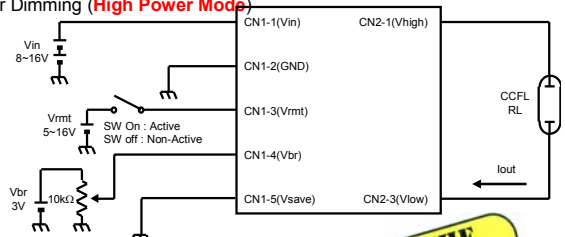
### Voltage Dimming (High Power Mode)



### Resistor Dimming (Normal Mode)



### Resistor Dimming (High Power Mode)



## Power Systems – The Power Solution

Web: [www.Power-Systems.de](http://www.Power-Systems.de)  
 Email: [Info@Power-Systems.de](mailto:Info@Power-Systems.de)

Address: Dörnet 8 ; 74360 Ilsfeld-Auenstein / Germany  
 Tel. : + 49 / 70 62 / 67 59 - 6  
 Fax: + 49 / 70 62 / 67 59 - 80