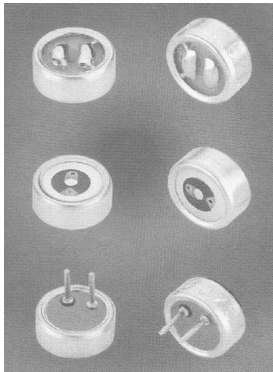


Soberton Inc.

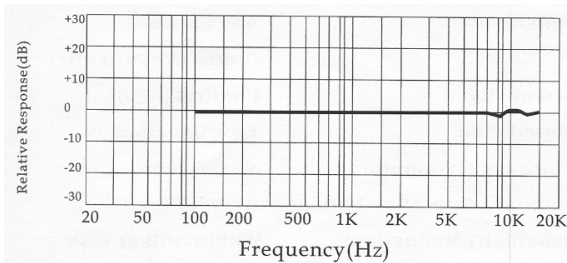
EM6027, EM6027S-BC, & EM6027P

Omnidirectional Electret Condenser Microphone



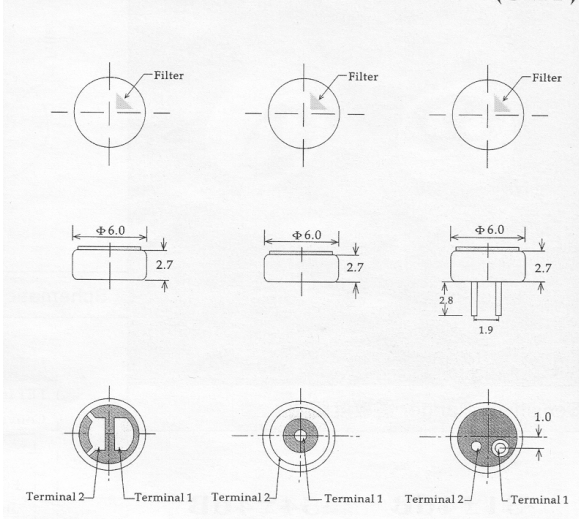
Sensitivity	0dB = 1V/Pa. 1KHz
Directivity	Omnidirectional
Impedance	Low Impedance
Current Consumption	Max. 0.5mA
Standard Operation Voltage	2.0V
Sensitivity Reduction	Within -3dB at 1.5V
S/N Ratio	More than 58dB
Sensitivity Range	-38 ± 3dB, -40 ± 3dB, -42 ± 3dB, -44 ± 3dB, -46 ± 3dB, -48 ± 3dB

Typical Frequency Response Curve:



Unit: mm

EM6027 EM6027S-BC EM6027P(SMT)



Schematic Diagram:

