

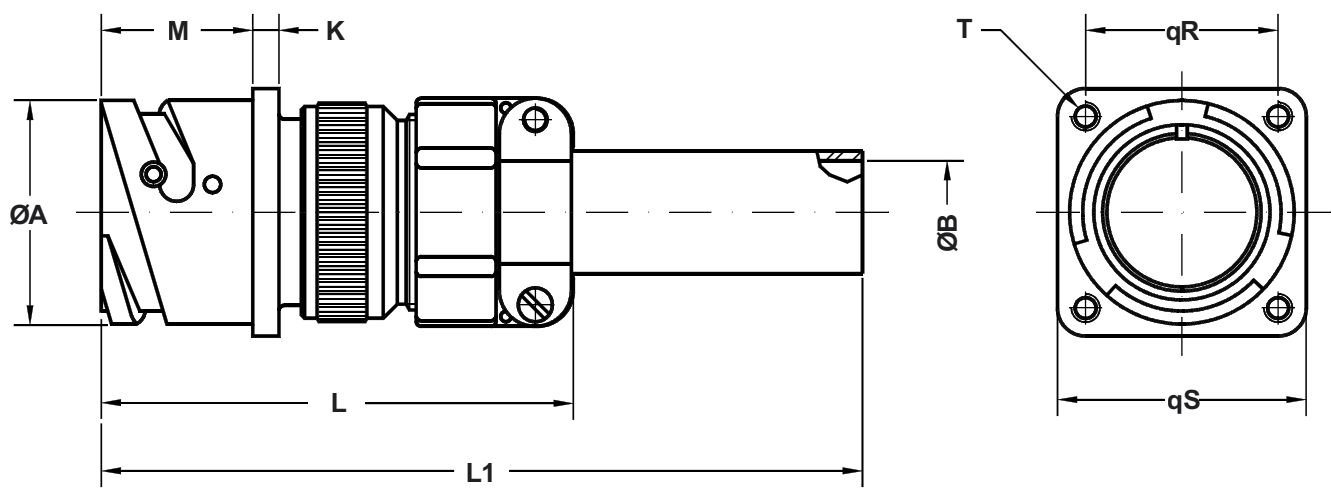


ITS 31030 (F) and ITS 41030 (F)

Rear Panel Mount Square Flange Receptacle Assembly with Class A IT3057 Cable Clamp and Neoprene Bushing

ITS 31 030 F FK 20-27 P Y XXX

- | | |
|---|---|
| <p>Bayonet Coupling —————</p> <p>Contact Type ————— 31 - Solder 41 - Crimp</p> <p>030 - Rear Wall Mount —————</p> <p>Connector/Backshell Class ————— F- Environmental; Supplied with Grommet, Cable Clamp and Neoprene Bushing</p> | <p>Mod Code Option (See Table II)</p> <p>Alternate Insert Rotation (W, X, Y, Z) Omit for Normal (See Intro 20-21)</p> <p>Contact Gender P - Pin S - Socket</p> <p>Shell Size and Insert Arrangement (See Intro 6-25)</p> <p>Material Option (Omit for Aluminum) FK - Stainless Steel Passivate MB - Marine Bronze</p> |
|---|---|



Application Notes:

1. Rear panel mount square flange receptacle assembly with an insulating grommet, environmental backshell, class A IT3057 cable clamp for use with individual wires and a neoprene bushing. Threaded mounting holes.
2. Connector/Backshell Class "F" (environmental)—Insulating grommet supplied.
3. Standard materials configuration consists of aluminum alloy with cadmium olive drab finish.
4. Standard contact material consists of copper alloy with silver plating (Gold plating available, see mod codes).
5. A broad range of additional connector accessories are available. See our website and/or contact the factory for complete information.
6. Standard insert material is synthetic rubber. Add "FR" prefix to front of part number to specify fire resistant inserts.



ITS 31030 (F) and ITS 41030 (F)
Rear Panel Mount Square Flange Receptacle Assembly
with Class A IT3057 Cable Clamp and Neoprene Bushing



ITS
Reverse Bayonet
Assemblies

TABLE I: DIMENSIONS

| Shell Size | ØA +0 -0.1 | ØB ±0.1 | K ±0.2 | L Max. | L1 Max. | M +0.2 -0 | R ±0.1 | S +0.2 | T Thread |
|------------|------------------|------------|-----------|-----------|------------|-----------------|-----------|-----------|----------|
| 10 SL | 18.2 | 5.58 | 2.8 | 60.0 | 130 | 18.5 | 18.25 | 25.4 | M4 |
| 14 S | 24.5 | 7.92 | 3.3 | 63.4 | 130 | 18.5 | 23.00 | 30.4 | M4 |
| 16 S | 27.2 | 11.09 | 3.3 | 65.4 | 130 | 18.5 | 24.60 | 32.5 | M4 |
| 16 | 27.2 | 11.09 | 3.3 | 76.8 | 140 | 23.2 | 24.60 | 32.5 | M4 |
| 18 | 30.7 | 14.27 | 4.0 | 82.8 | 145 | 23.2 | 27.00 | 35.0 | M4 |
| 20 | 34.0 | 15.87 | 4.0 | 79.0 | 135 | 23.2 | 29.40 | 38.0 | M4 |
| 22 | 37.3 | 15.87 | 4.0 | 79.0 | 135 | 23.2 | 31.75 | 41.0 | M4 |
| 24 | 40.9 | 19.05 | 4.0 | 81.7 | 135 | 23.2 | 34.90 | 44.5 | M4 |
| 28 | 46.7 | 19.05 | 4.0 | 88.2 | 140 | 24.4 | 39.70 | 50.9 | M5 |
| 32 | 53.4 | 23.79 | 4.0 | 95.3 | 145 | 24.2 | 44.45 | 57.0 | M5 |
| 36 | 59.6 | 31.75 | 4.0 | 101.8 | 150 | 24.2 | 49.20 | 63.5 | M5 |
| 40 | 65.5 | 34.92 | 4.0 | 120.8 | 165 | 24.4 | 55.55 | 69.9 | M5 |

TABLE II: MODIFICATION CODES

| CONTACT OPTIONS | |
|--|-------------------------------------|
| Sym | Description |
| B0 | Connector Less Contacts |
| B1 | Connector with Gold Plated Contacts |
| Omit for Standard Version (Silver Plated) | |
| FINISH OPTIONS | |
| Sym | Description |
| F2 | Bright Nickel Plating |
| F6 | Black Electrodeposited Paint |
| F7 | Black Zn-Co Plating |
| F8 | Olive Drab Zn-Co Plating |
| Omit for Standard Version (Cad/Olive Drab Finish) | |

