

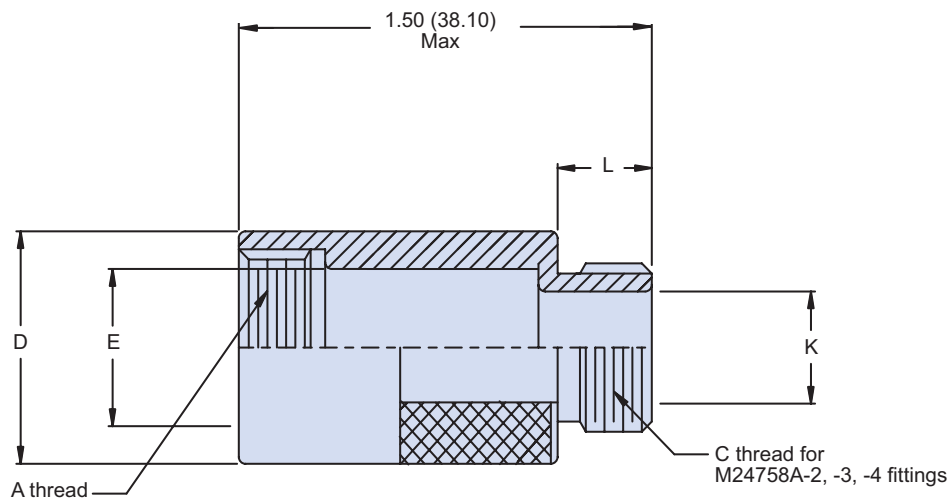
MIL-PRF-24758-22 For Glenair 22 Series Adapters

M24758 - 22 C 16

Basic No. _____

Conduit Size Code, Table I _____

Shell Size, Table II _____



APPLICATION NOTES

1. Assembly identified with manufacturer's code identification number (Glenair, part number and classification code 490).
2. The M24758-22 adapter couples connectors listed in table II to M24758-2, M24758-3 or M24758-4 series fittings.
3. Configuration of adapter may change based on the variance of diameters E and K.
4. Material / Finish:
Adapter, coupling nut, 316 / electroless nickel, matte finish.
5. Metric dimensions (mm) are indicated in parentheses.
6. See M24758-2, -3, -4 torque values for C thread.

MIL-PRF-24758-22
For Glenair 22 Series Adapters



MIL-PRF
24758A

TABLE I

CONDUIT SIZE CODE	C CLASS - 2A THREAD	L +.03 -.00	K DIA MIN
A	.438-28 UNEF	.21 (5.25)	.245 (6.22)
B	.688-24 UNEF	.25 (6.35)	.495 (12.57)
C	.938-20 UNEF	.31 (7.87)	.745 (18.92)
D	1.250-18 UNEF	.37 (9.40)	.995 (25.27)
E	1.563-18 UNEF	.37 (9.40)	1.245 (31.62)
F	1.875-16 UN	.43 (10.92)	1.495 (37.97)
G	2.375-16 UN	.43 (10.92)	1.995 (50.67)
H	2.875-16 UN	.43 (10.92)	2.495 (63.37)
J	.563-24 UNEF	.25 (6.35)	.370 (9.40)
K	.813-20 UNEF	.31 (7.87)	.620 (15.75)
L	3.375-16 UN	.43 (10.92)	2.995 (76.07)

TABLE II

CONN SHELL SIZE	A CLASS - 2B THREAD	D DIA ± .02	E DIA REF	A THREAD RECOMMENDED TORQUE ±5 IN. POUNDS
10	.625-24 UNEF	.750 (19.05)	.43 (10.92)	40
12	.750-20 UNEF	.875 (22.23)	.54 (13.72)	40
14	.875-20 UNEF	1.000 (25.40)	.66 (16.76)	50
16	1.000-20 UNEF	1.125 (28.58)	.79 (20.07)	50
18	1.125-16 UN	1.250 (31.75)	.88 (22.35)	60
20	1.250-16 UN	1.375 (34.93)	1.00 (25.40)	70
22	1.375-16 UN	1.500 (38.10)	1.13 (28.70)	80
24	1.500-16 UN	1.625 (41.28)	1.25 (31.75)	100