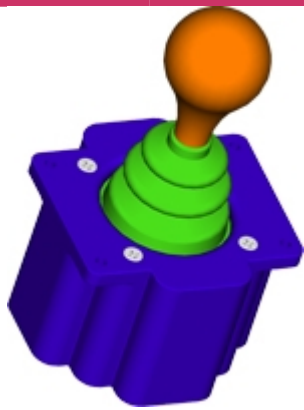


Model(型號): RKJXK3002

[Download PDF file](#)



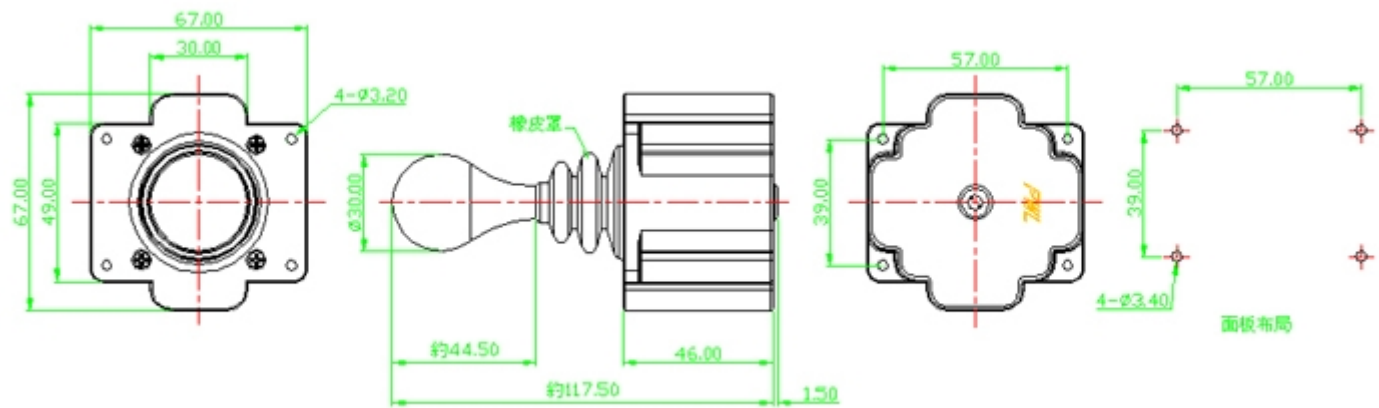
**Features:(特點):**

Most miniaturized series in our joystick controllers.3-dimensional coordinate type is also available. Spring return device is incorporated inside and it activates an operating lever to automatically return to center position.

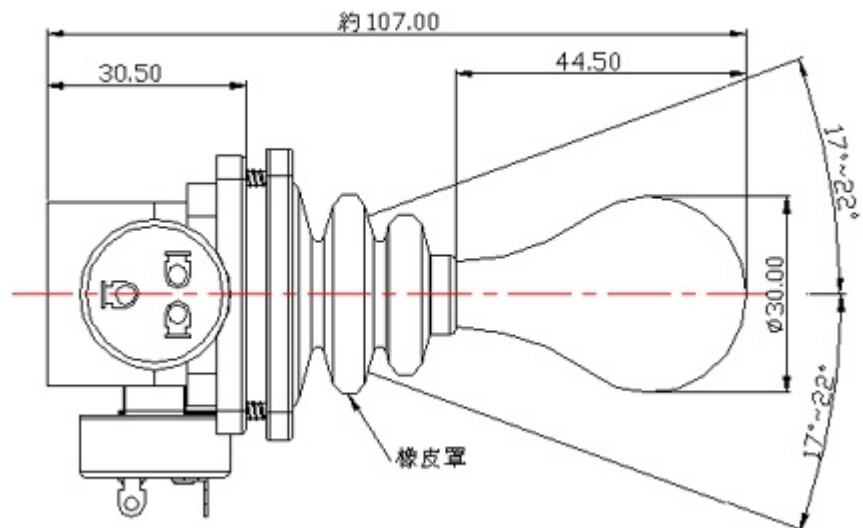
**Applications(作用):**

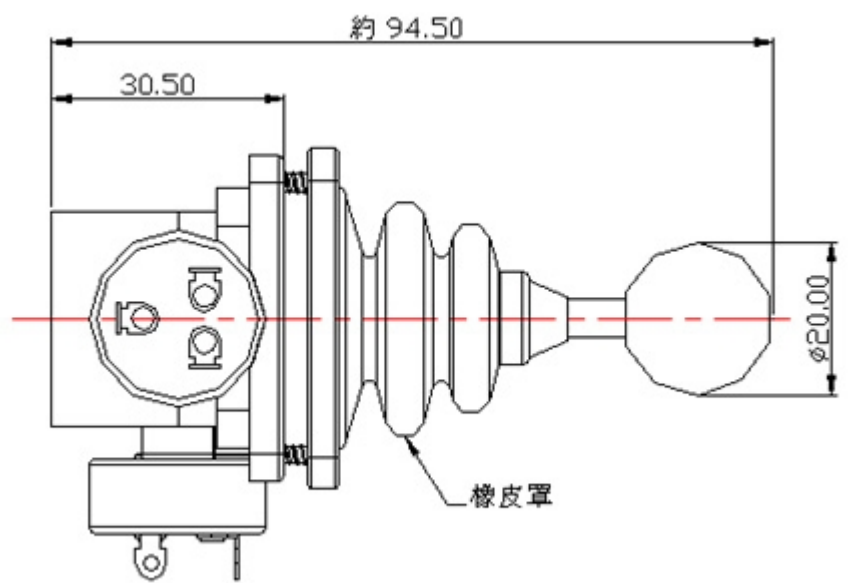
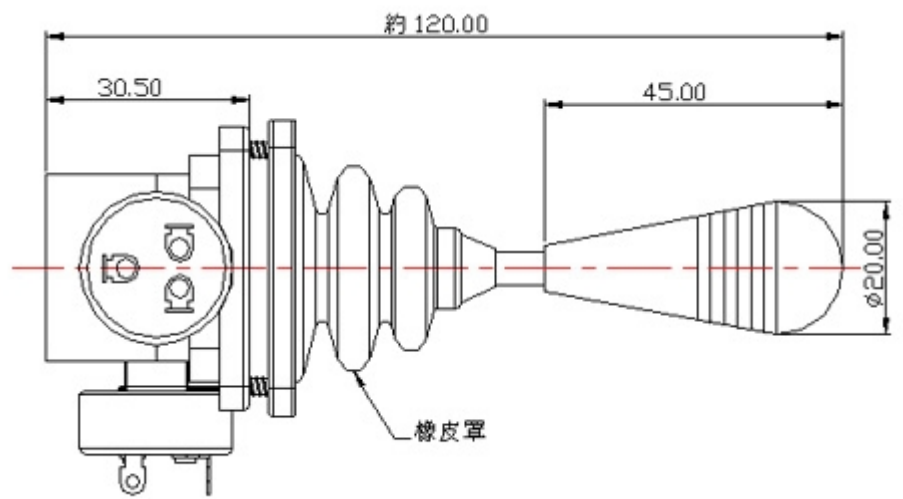
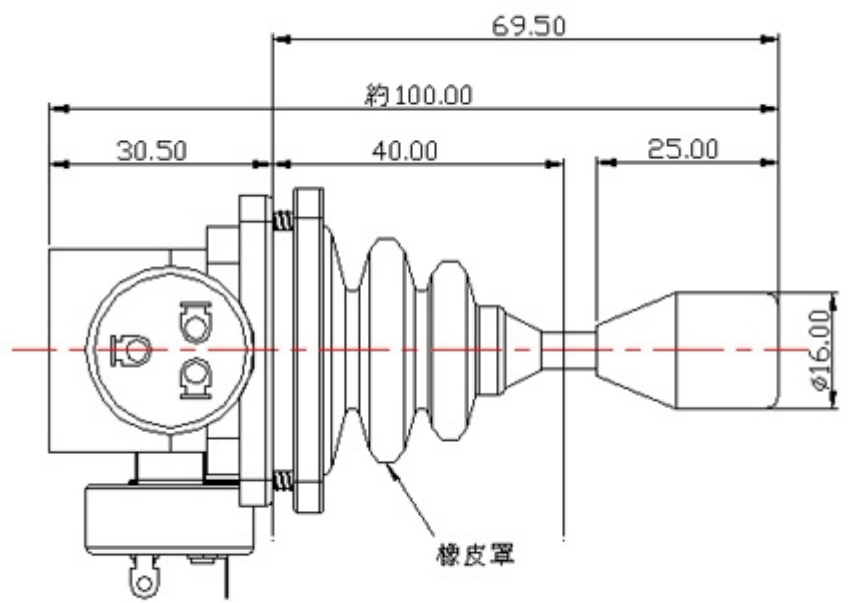
Various kinds of measuring devices, electromotive wheelchairs, robot operations ,precision machine tools ,etc. crane operations , industrial vehicles ,civil engineering and construction machinery ,etc.

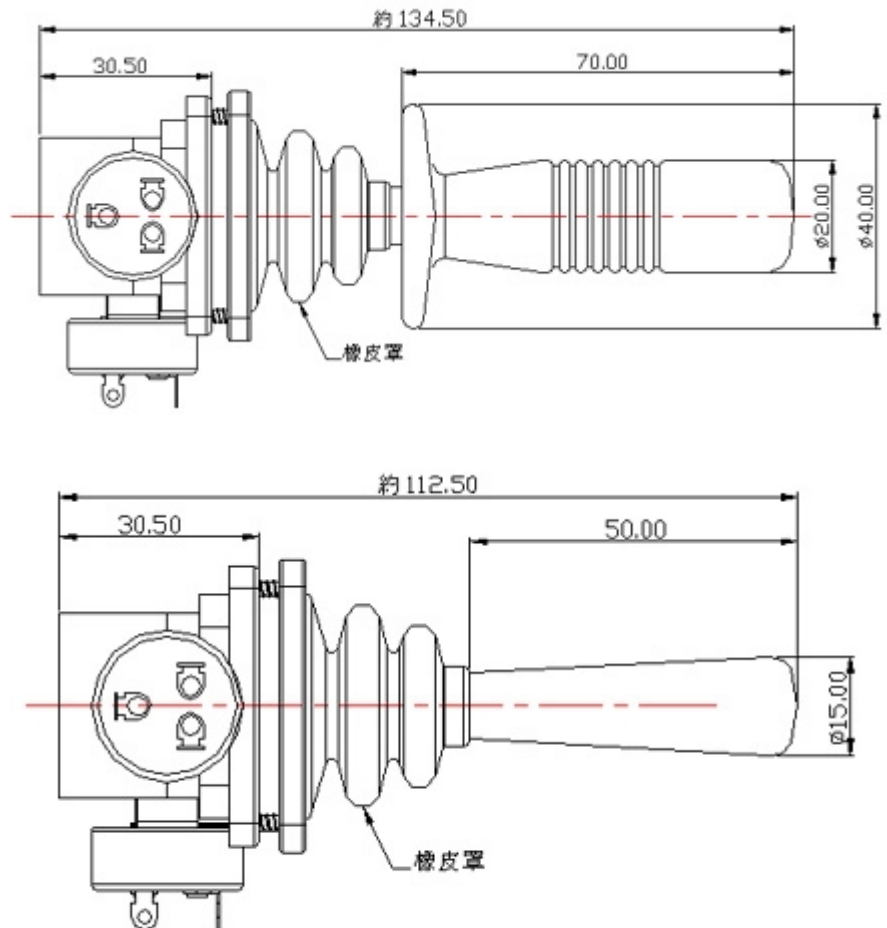
**Dimensions(規格圖):**



**Type of Lever(搖柄規格圖):**







## Specifications( 規格)

### Electrical Characteristics [ 電氣性能 ]

Total resistance [ 全阻抗值 ]	10KΩ±20%/5KΩ±10%
Total resistance tolerance [ 全阻抗值容許差 ]	±30%
Ratings power(w) [ 額定功率 ]	0.1W/1W
Resistance taper [ 阻抗變化特性 ]	B
Residual resistance [ 殘留阻值 ]	全阻值 3%Ω Max.
Sliding noise [ 滑動雜音 ]	300mV Max
Insulation resistance [ 絕緣阻抗 ]	>500MΩ (250V.D.C.)
Withstanding voltage [ 耐電壓 ]	1 minute at AC 250V
Max. operating voltage [ 最高使用電壓 ]	AC 50V

### Mechanical Characteristics [ 機械性能 ]

Operation torque [ 回轉力矩 ]	150~200gf.cm
Rotation stopper strength [ 止動強度 ]	3Kgf.cm Min
Switch Travel [ 開關移動量 ]	0.5 mm

### Endurance Characteristics [ 耐久性能 ]

Rotational life [ 回轉壽命 ]	More than 1,000,000 cycles
--------------------------	----------------------------