



TAI-SAW TECHNOLOGY CO., LTD.

No. 3, Industrial 2nd Rd., Ping-Chen Industrial District,
Tao-Yuan, 324, Taiwan, R.O.C.

TEL: 886-3-4690038 FAX: 886-3-4697532

E-mail: tstsales@mail.taisaw.com Web: www.taisaw.com

Approval Sheet for Product Specification

Issued Date:

Product Name: 480MHz IF SAW Filter (BW=9 MHz)

TST Parts No.: TB0561A

Customer Parts No.: _____

Company: _____
Division: _____
Approved by : _____
Date: _____

Checked by: _____ Andy Yu

Approval by: _____ Francis Chen

Date: _____ 12/19/2007



TAI-SAW TECHNOLOGY CO., LTD.

No.3, Industrial 2nd Rd., Ping-Chen Industrial District, Taoyuan, Taiwan, R.O.C.

TEL: 886-3-4690038 FAX: 886-3-4697532

E-mail: tstsales3@mail.taisaw.com Web: www.taisaw.com

SAW Filter 480MHz (SMD 5.0×7.0 mm)

MODEL NO.: TB0561A

Rev. NO. 1

A. MAXIMUM RATINGS:

1. Input Power Level: 10 dBm
2. Operating Temperature: -40 °C ~ 85°C
3. Storage Temperature: -40°C to 85°C

RoHS Compliant
Lead free
Lead-free soldering

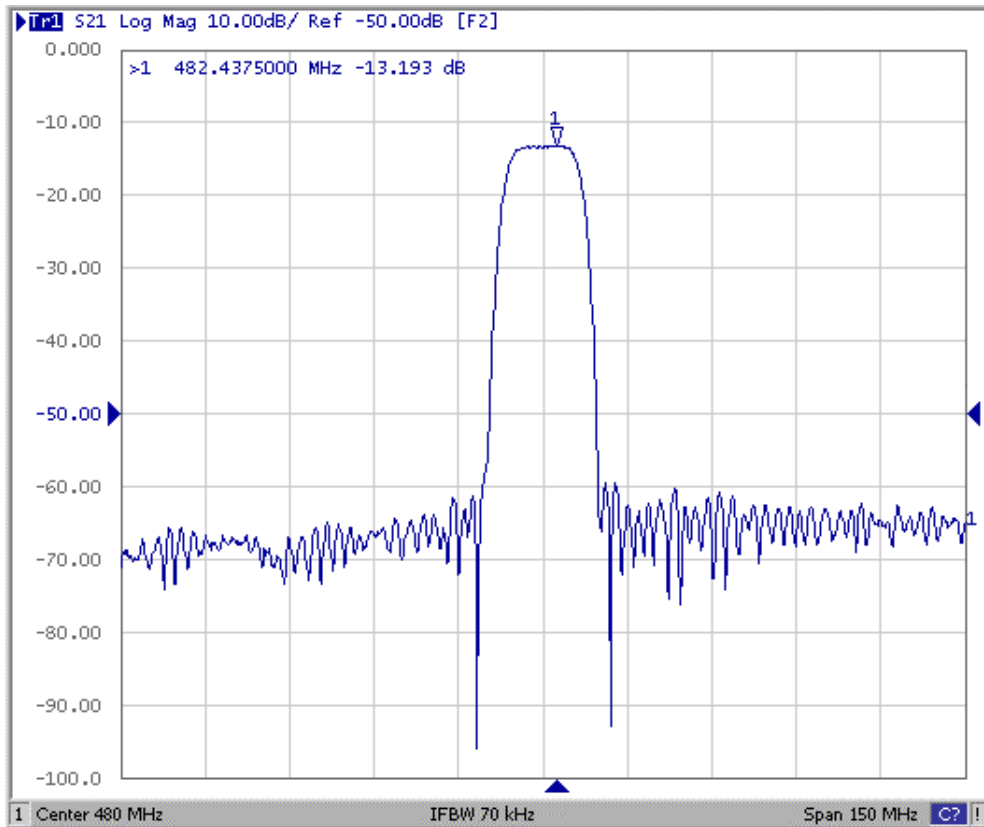
B. ELECTRICAL CHARACTERISTICS:

1. Ambient Temperature: 25 °C

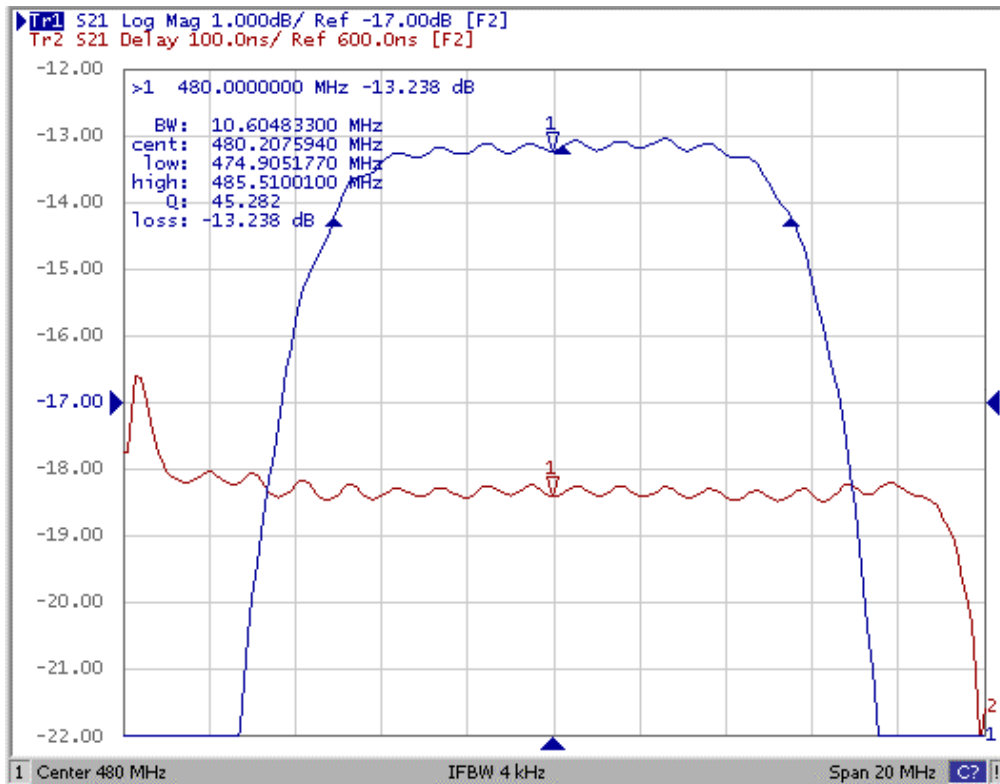
Characteristics	Value			Note
	Min.	Typ.	Max.	
Center frequency F_c MHz	-	480	-	-
Minimum Insertion loss I.L. dB	-	13.1	14	-
1 dB Bandwidth MHz	9.0	10.6	-	-
3 dB Bandwidth MHz	10.0	12.5	-	-
40 dB Bandwidth MHz	-	19.3	22.0	-
Return Loss dB	10	12		
Amplitude Ripple (475.25~484.25MHz) dB P-P	-	0.5	1.0	-
Phase Linearity (475.25~484.25MHz) deg P-P	-	5.0	-	-
Group Delay Ripple (475.25~484.25MHz) ns P-P	-	35	75	-
Attenuation (Reference level from Minimum insertion loss)				
(1) 10 ~ 220MHz dB	50	64	-	-
(2) 220 ~ 400MHz dB	40	53	-	-
(3) 400 ~ 468MHz dB	40	47	-	-
(4) 490 ~ 550MHz dB	40	47	-	-

C. Frequency Characteristics :

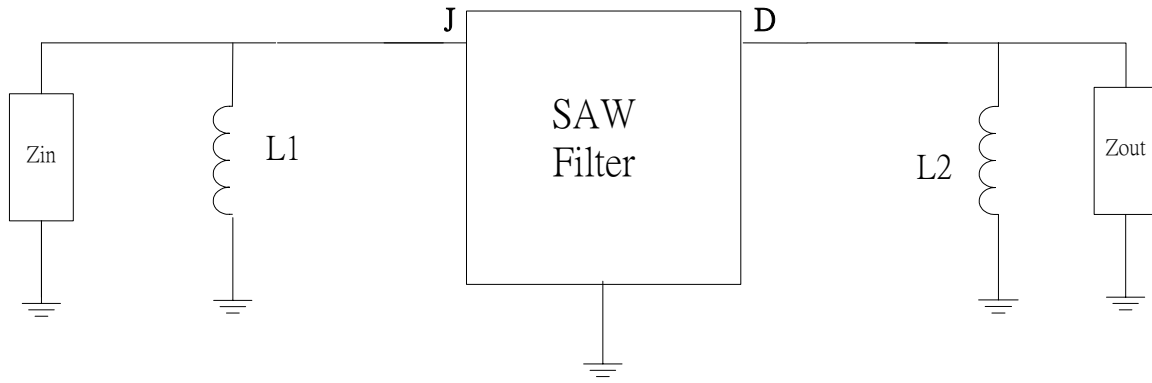
1. S21 Response:(span 150MHz)



2. Passband Response: (span 20MHz)

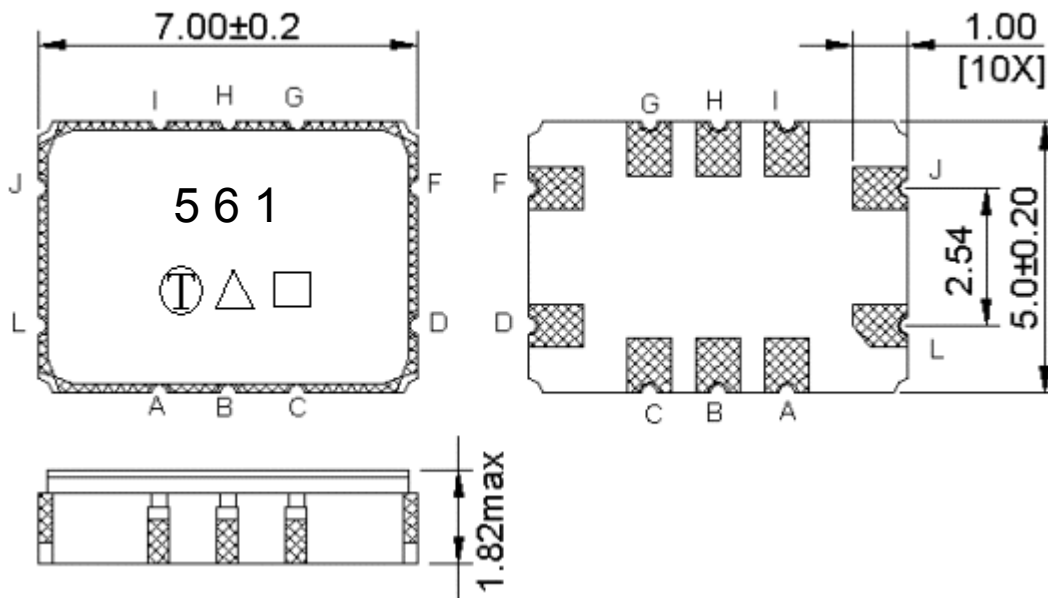


D. TEST CIRCUIT:



$Z_{in} = Z_{out} = 50 \text{ ohm}$
 $L1 = 10\text{nH}, L2 = 10\text{nH}.$

E. OUTLINE DRAWING:



Pin J: RF input

Pin D: RF output

Pin K, L, A, B, C, E, F, I, H, G: Ground

□ : Week Code (Follow the table from planner each year)

Unit : mm

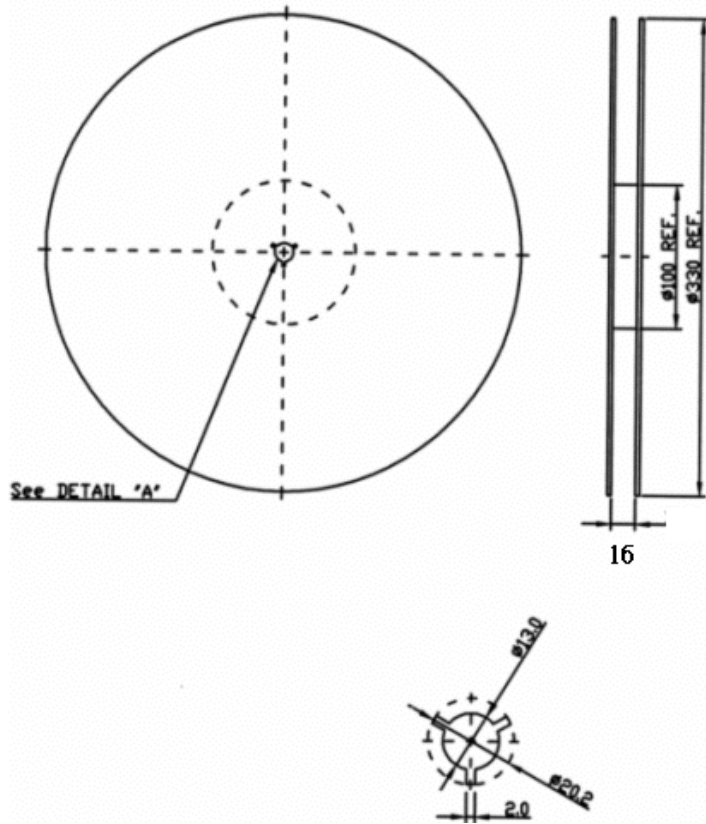
△ : Product / Year Code

Year	2005 2009	2006 2010	2007 2011	2008 2012
Product Code	B	b	<u>B</u>	<u>b</u>

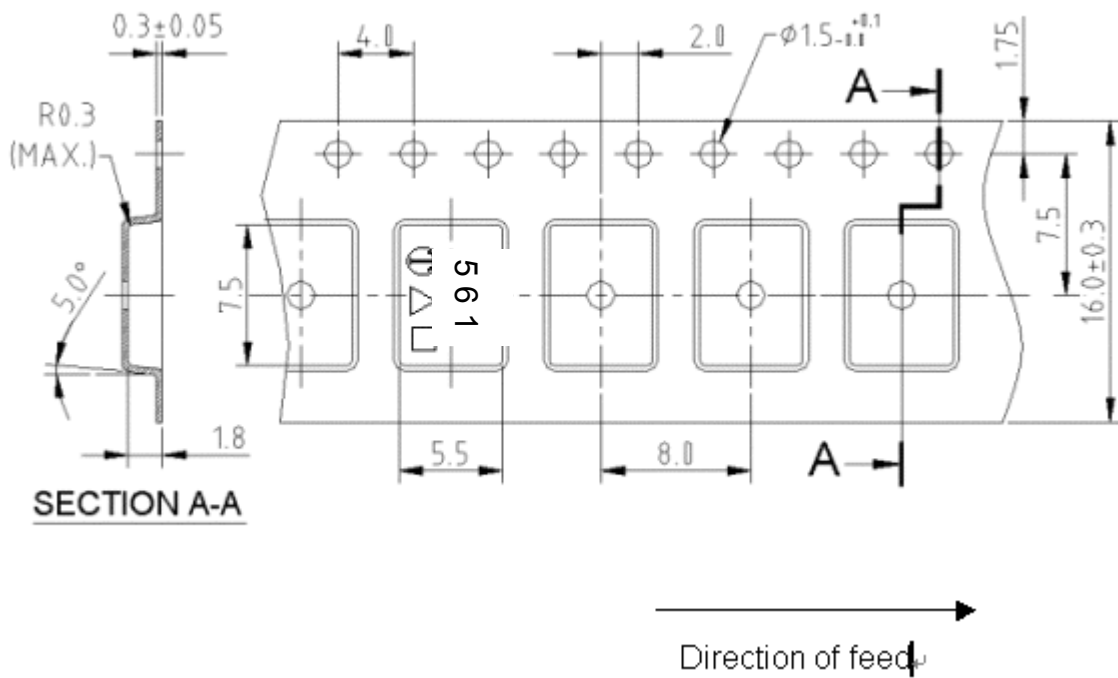
F.PACKING:

1.REEL DIMENSION

(Reel Count: 7"=1000 typ.; 13"=2000 typ.)



2.TAPE DIMENSION



G. Recommended Reflow Profile:

