

MODEL TL-4935

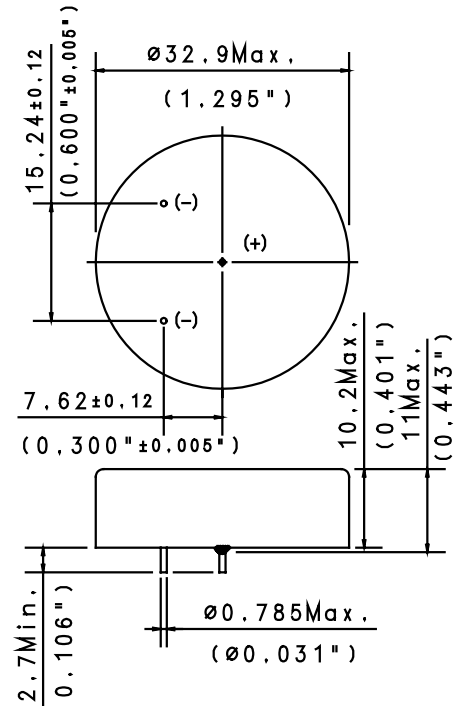
International size reference: 1/6D, ER32L100

TECHNICAL DATA

(Typical values @+25°C for batteries stored for one year or less)

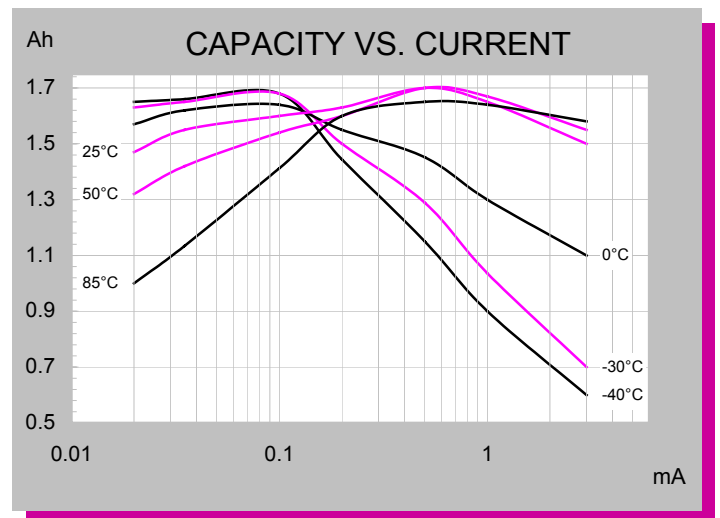
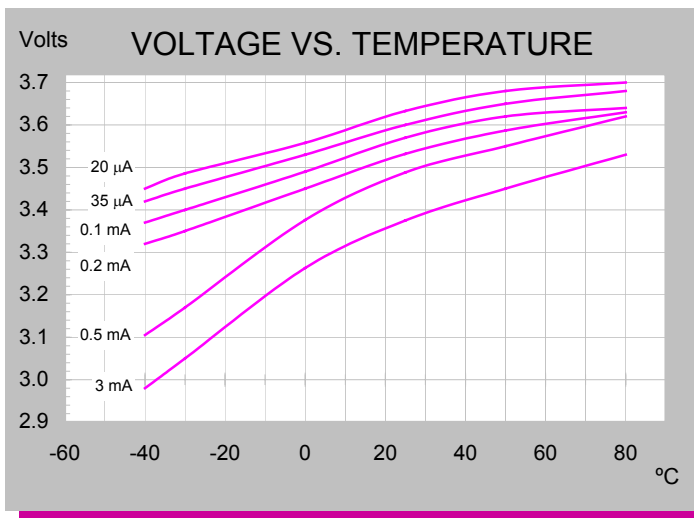
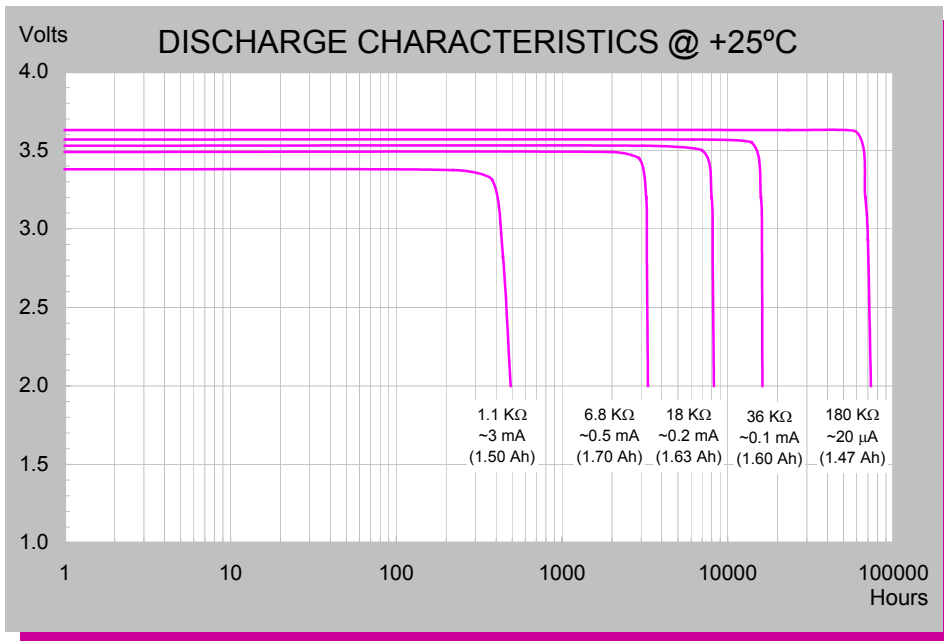
■ Nominal capacity @ 0.5 mA, to 2V	1.7 Ah
■ Rated voltage	3.6 V
■ Maximum recommended continuous current	10 mA
■ Maximum 1 sec. pulse capability	20 mA
■ Weight	21 g (0.74 oz)
■ Volume	8.2 cc
■ Operating temperature range	-55 °C to +85 °C
■ U.L. Component Recognition, MH 12193	

TADIRAN LITHIUM BATTERIES



ADDITIONAL INFORMATION

TERMINAL MATERIAL : TIN PLATED NICKEL
CATALOGUE NO. : 15-4935-41000



XOL - Extended Operating Life

Note: Any presentations in this data sheet concerning performance are for information purpose only and are not construed as warranties either expressed or implied, of future performance.

ECN 1501186 Rev. E 01/06