

**PLEASE CHECK WWW.MOLEX.COM FOR LATEST PART INFORMATION**

**Part Number:** [0039000294](#)  
**Status:** **Active**  
**Overview:** [standard\\_093](#)  
**Description:** 2.36mm (.093") Diameter, Standard .093" Pin and Socket Crimp Terminal, Series 1189, Female, with Gold (Au) over Nickel Plated Brass Contact, 14-20 AWG, Bag, with Dimple

**Documents:**

[Drawing \(PDF\)](#) [Product Specification PS-1189-006 \(PDF\)](#)  
[Product Specification PS-1189-005 \(PDF\)](#) [RoHS Certificate of Compliance \(PDF\)](#)

**General**

Product Family	Crimp Terminals
Series	<a href="#">1189</a>
Comments	with Dimple
Crimp Quality Equipment	Yes
Overview	<a href="#">standard_093</a>
Product Name	Standard .093"

**Physical**

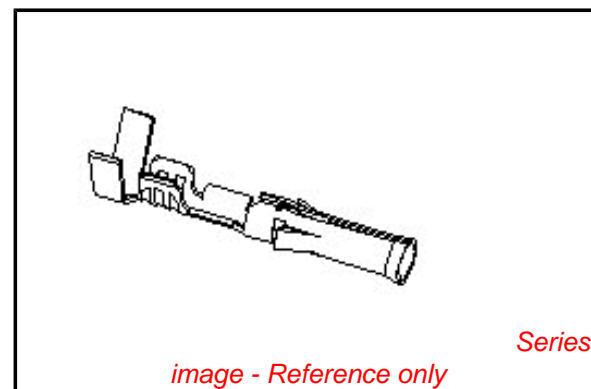
Gender	Female
Material - Metal	Brass
Material - Plating Mating	Unplated
Material - Plating Termination	Unplated
Packaging Type	Bag
Wire Insulation Diameter	1.60-4.10mm (.063-.161")
Wire Size AWG	14, 16, 18, 20
Wire Size mm <sup>2</sup>	N/A

**Material Info**

Old Part Number	1189GL
-----------------	--------

**Reference - Drawing Numbers**

Product Specification	PS-1189-005, PS-1189-006
Sales Drawing	SD-1189-002



**EU RoHS**

**ELV and RoHS Compliant**  
**REACH SVHC**  
 Not Reviewed  
**Halogen-Free Status**

**China RoHS**



**Not Reviewed**

**Need more information on product environmental compliance?**

Email [productcompliance@molex.com](mailto:productcompliance@molex.com)  
 For a multiple part number RoHS Certificate of Compliance, [click here](#)

Please visit the [Contact Us](#) section for any non-product compliance questions.

**Search Parts in this Series**

[1189Series](#)

**Use With**

[3191r](#)

**Application Tooling | FAQ**

*Tooling specifications and manuals are found by selecting the products below. Crimp Height Specifications are then contained in the Application Tooling Specification document.*

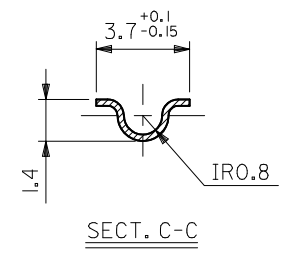
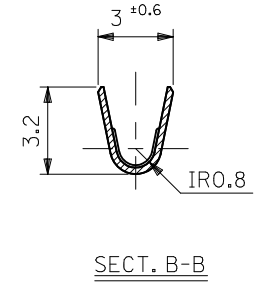
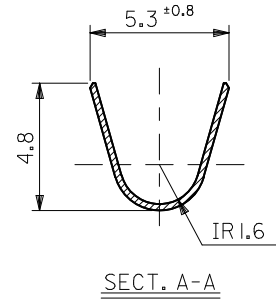
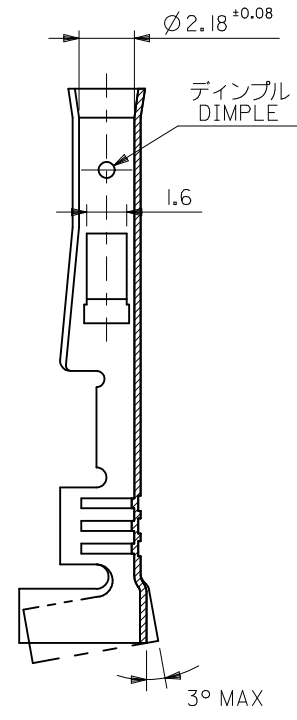
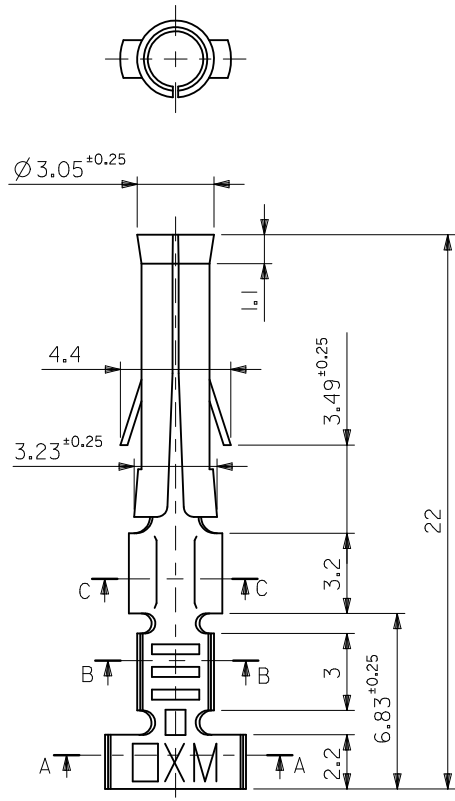
**Global**

Description	Product #
Hand Crimp Tool	<a href="#">0638191100</a>
Extraction Tool	<a href="#">0011030006</a>

**Japan**

Description	Product #
Hand Crimp Tool	<a href="#">0011260006</a>
JHTR1031C	
Hand Extraction Tool	<a href="#">0011260029</a>

**PLEASE CHECK [WWW.MOLEX.COM](http://WWW.MOLEX.COM) FOR LATEST PART INFORMATION**



注記 NOTES:  
 1. 一般公差 : ±0.4  
 GENERAL TOLERANCES: ±0.4

材料 MATERIAL	黄銅 BRASS	0.264t
適用電線範囲 WIRE RANGE	AWG# 14-#20	
被覆外径 INS. RANGE	∅ 1.6~4.1	

REVISED	DESCRIPTION
EC NO: J2010-2186	
DRW:RTSURIJOKA 2010/05/17	
CHK:D:THARUYAMA 2010/05/17	
APP:R:HHIRATA 2010/05/21	
J	REV

GENERAL TOLERANCES (UNLESS SPECIFIED)	
10 UNDER	± ---
10 OVER 30 UNDER	± ---
30 OVER	± ---
ANGULAR	± --- °
DRAFT WHERE APPLICABLE MUST REMAIN WITHIN DIMENSIONS	

DIMENSION STYLE		SCALE	DESIGN UNITS
MM ONLY		5:1	METRIC
DRAWN BY	DATE	TITLE	
HHASEGAWA	1993/07/06	.093 DIA.FEMALE TERM.	
CHECKED BY	DATE		
HHIRAMOTO	1993/07/06		
APPROVED BY	DATE		
MFUKUSHIMA	1993/07/06		
MATERIAL NO.	DOCUMENT NO.		
SEE TABLE	SD-1189-002		
SIZE	THIS DRAWING CONTAINS INFORMATION THAT IS PROPRIETARY TO MOLEX INCORPORATED AND SHOULD NOT BE USED WITHOUT WRITTEN PERMISSION		
A3			

メッキ PLATING	デンプル有無 WITH DIMPLE	EDP.NO.	ENG.NO.	形状 FORM
ニッケル (2 μm MIN.) 下地 金 (0.35 μm MIN.) GOLD (0.35 μm MIN.) OVER NICKEL (2 μm MIN.)	無 NO	39-00-0295	1189AGL	バラ端子 LOOSE
		39-00-0293	1189AG	連鎖状端子 CHAIN
銅 (0.5 μm MIN.) 下地 錫 (0.9 μm MIN.) TIN (0.9 μm MIN.) OVER COPPER (0.5 μm MIN.)	無 NO	39-00-0289	1189ATL	バラ端子 LOOSE
		39-00-0281	1189AT	連鎖状端子 CHAIN
	有 YES	39-00-0288	1189TL	バラ端子 LOOSE
		39-00-0282	1189T	連鎖状端子 CHAIN
MOLEX		MOLEX INCORPORATED		
SHEET NO.		1 OF 1		