

PLEASE CHECK WWW.MOLEX.COM FOR LATEST PART INFORMATION

Part Number: **0190990009**
Status: **Active**
Description: InsulKrimp™ Snap Spade Terminal for 18-22 AWG Wire

Documents:

[Drawing \(PDF\)](#) [RoHS Certificate of Compliance \(PDF\)](#)
[Product Specification PS-19902-009 \(PDF\)](#)

Agency Certification

CSA LR18689
 UL E32244

General

Product Family Ring and Spade Terminals
 Series [19099](#)
 Crimp Quality Equipment Yes
 Mil-Spec N/A
 Product Name InsulKrimp™
 Type Spade Snap

Physical

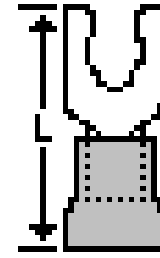
Barrel Type Closed
 Color - Resin Natural
 Flammability 94V-2
 Insulation PVC
 Material - Plating Mating Tin
 Packaging Type Bag
 Stud Size 5-6 (M3-3.5)
 Wire Insulation Diameter 4.40mm (.175") max.
 Wire Size AWG 18, 20, 22
 Wire Size mm² 0.35 - 0.80

Material Info

Old Part Number AA-2704-06X

Reference - Drawing Numbers

Product Specification PS-19902-009
 Sales Drawing AACD20502



*Series
image - Reference only*

EU RoHS

**ELV and RoHS
Compliant**
REACH SVHC
 Not Reviewed
**Halogen-Free
Status**
Not Reviewed

China RoHS



**Need more information on product
environmental compliance?**

Email productcompliance@molex.com
 For a multiple part number RoHS Certificate of Compliance, [click here](#)

Please visit the [Contact Us](#) section for any non-product compliance questions.

Search Parts in this Series

[19099Series](#)

Application Tooling | [FAQ](#)

Tooling specifications and manuals are found by selecting the products below. Crimp Height Specifications are then contained in the Application Tooling Specification document.

Global

Description	Product #
Hand Crimp Tool	0640010100
Hand Crimp Tool	0640010300
Hand Crimp Tool	0640011200
Crimp Head for the AT-200™ Pneumatic Hand Tool	0640050100
Crimp Head for the AT-200™ Pneumatic Hand Tool	0640050300
Crimp Head for the AT-200™ Pneumatic Hand Tool	0640051200

This document was generated on 03/18/2010

PLEASE CHECK WWW.MOLEX.COM FOR LATEST PART INFORMATION

NOTES: $\pm .005$

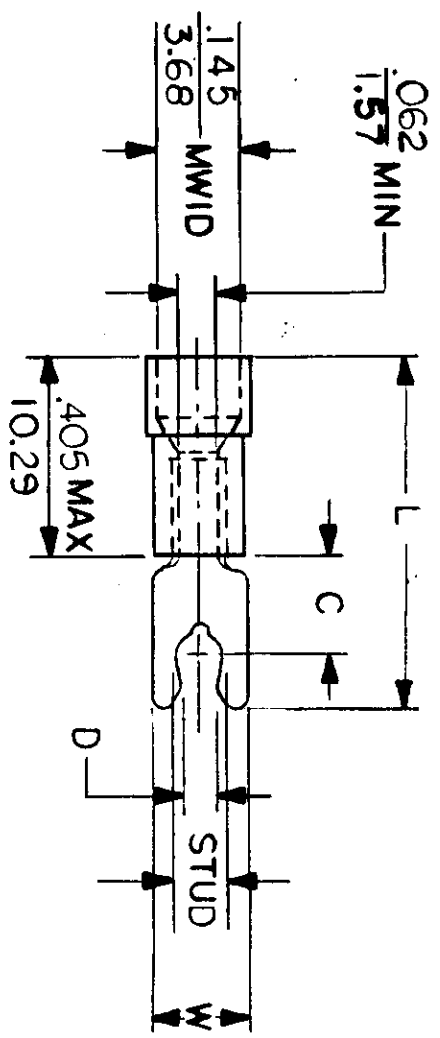
- ① MAT'L: COPPER (STOCK TKN. $\frac{.028}{71}$)
- PLATING: ELECTRO-TIN (.0003 MIN.)
- ② INSULATION: MOLDED PVC (RED)

STUD SIZES: ($\pm .005$)

- 02 = .094
- 04 = .119
- 06 = .146
- 08 = .173
- 10 = .198
- 14 = .265
- 56 = .328
- 38 = .390

"UL" LISTING #E32244
 "CSA" LISTING #18689

ALL DIMENSIONS = INCHES



MWID = MAXIMUM WIRE
 INSULATION DIAMETER
 WIRE SIZE: 22 - 18 AWG
 WIRE SIZE: .25 - 1.5 MM²

PART NUMBER	"W" $\pm .010$	"C" MIN.	"L" MAX.	"D" $\pm .005$	AVAILABLE STUD SIZES	DIMENSIONAL TOLERANCES UNLESS OTHERWISE SPECIFIED		REFERENCE		SCALE: NTS		DATE	TITLE:	DWG. NO.	CUSTOMER DWG.
						FRAC.	DEC.	ANG.	DRWN. BY:	CHKD. BY:	APPRD. BY:				
AA-2704-	$\frac{.250}{6.35}$	$\frac{.230}{5.82}$	$\frac{.810}{20.57}$	$\frac{.105}{2.67}$	05X ($\frac{127^{+.005}}{3.25}$)				JJ	GZ		11.5.84	SNAP SPADE TONGUE TERMINAL 200 SERIES	A	
AA-2704-	$\frac{.250}{6.35}$	$\frac{.230}{5.82}$	$\frac{.810}{20.57}$	$\frac{.114}{2.90}$	06X										
AA-2705-	$\frac{.375}{9.53}$	$\frac{.261}{6.63}$	$\frac{.871}{22.12}$	$\frac{.139}{3.53}$	08X										
AA-2706-	$\frac{.406}{10.31}$	$\frac{.261}{6.63}$	$\frac{.919}{23.34}$	$\frac{.156}{3.96}$	10X										

FILE NO. AA-CD-205-02

