

**PLEASE CHECK WWW.MOLEX.COM FOR LATEST PART INFORMATION**

**Part Number:** [0351551000](#)  
**Status:** **Active**  
**Description:** 2.50mm (.098") Pitch Wire-to-Board Housing, Positive Lock, Natural, 10 Circuits

**Documents:**

<a href="#">3D Model</a>	<a href="#">Product Specification PS-35184-001 (PDF)</a>
<a href="#">Drawing (PDF)</a>	<a href="#">Product Specification PS-68143-001 (PDF)</a>
<a href="#">Product Specification PS-35155-001 (PDF)</a>	<a href="#">RoHS Certificate of Compliance (PDF)</a>
<a href="#">Product Specification PS-35155-002 (PDF)</a>	

**Agency Certification**

CSA	LR19980
TUV	R72081037
UL	E29179

**General**

Product Family	Crimp Housings
Series	<a href="#">35155</a>
Product Name	N/A

**Physical**

Breakaway	No
Circuits (maximum)	10
Color - Resin	Natural
Flammability	94V-0
Gender	Female
Glow-Wire Compliant	No
Keying to Mating Part	None
Lock to Mating Part	Yes
Material - Resin	Polyester
Number of Rows	1
Packaging Type	Bag
Panel Mount	No
Pitch - Mating Interface (in)	0.098 In
Pitch - Mating Interface (mm)	2.50 mm
Temperature Range - Operating	-40°C to +105°C

**Material Info**

**Reference - Drawing Numbers**

Product Specification	PS-35155-001, PS-35155-002, PS-35184-001, PS-68143-001, RPS-35155-101, RPS-35155-102
Sales Drawing	SD-35155-**0*



**EU RoHS**

**ELV and RoHS  
Compliant**  
**REACH SVHC  
Contains SVHC: No**  
**Halogen-Free  
Status**

**China RoHS**



**Need more information on product  
environmental compliance?**

Email [productcompliance@molex.com](mailto:productcompliance@molex.com)  
 For a multiple part number RoHS Certificate of  
 Compliance, [click here](#)

Please visit the [Contact Us](#) section for any  
 non-product compliance questions.

**Search Parts in this Series**

[35155Series](#)

**Mates With**

[35312](#) Vertical Shrouded Header, [35184](#)  
 Wire-to-Wire Plug Housing

**Use With**

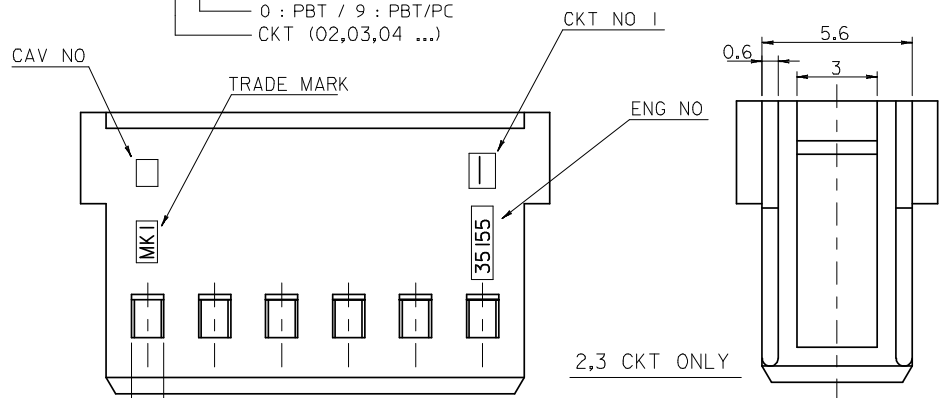
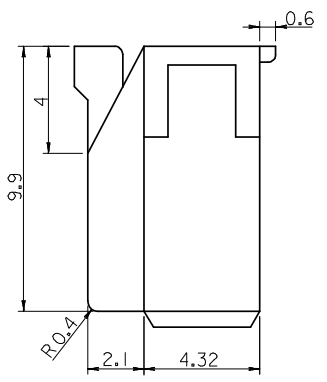
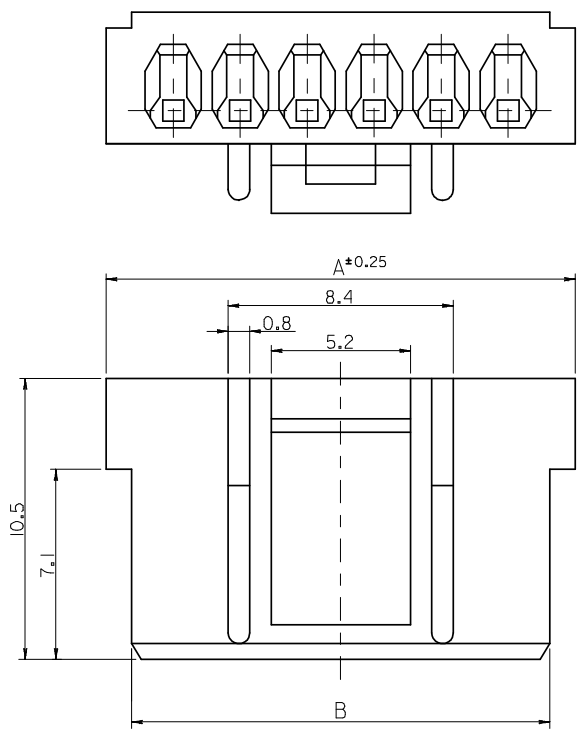
[5103](#) SPOX™ Crimp Terminal

NOTE

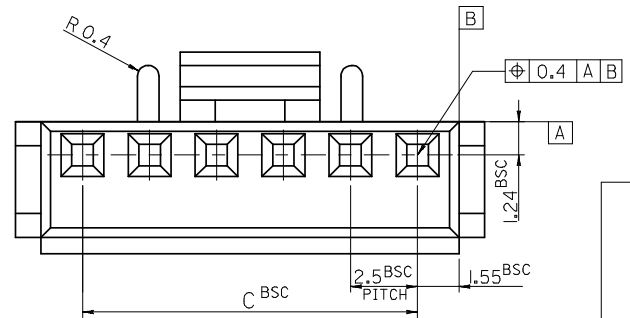
- 1. MATERIAL : SEE TABLE
- 2. USED WITH TERMINAL : 5103-\*
- 3. MATED WITH WAFER ASS'Y : 35312-\*\*\*1\*

LEGEND

35155 - \*\* \*  
 COLOR : 0 --- NATURAL  
 1 --- BLACK  
 2 --- RED  
 3 --- YELLOW  
 4 --- BLUE  
 0 : PBT / 9 : PBT/PC  
 CKT (02,03,04 ...)



35	38.1	40	35155151*	35155-15**	15
32.5	35.6	37.5	4 14**	4 -14**	14
30	33.1	35	13**	-13**	13
27.5	30.6	32.5	12**	-12**	12
25	28.1	30	11**	-11**	11
22.5	25.6	27.5	10**	-10**	10
20	23.1	25	09**	-09**	9
17.5	20.6	22.5	08**	-08**	8
15	18.1	20	07**	-07**	7
12.5	15.6	17.5	06**	-06**	6
10	13.1	15	05**	-05**	5
7.5	10.6	12.5	04**	-04**	4
5	8.1	10	03**	-03**	3
2.5	5.6	7.5	3515502**	35155-020*	2
C	B	A	MATERIAL NO.	ENG NO.	CKT.



REVISED	EC NO: KOR2008-0103	2007/12/21
DRWN: SKHAN01	2007/12/21	
CHKD: WY. YANG	2007/12/21	
APPR: YUNS IKK IM	2007/12/21	
REV	DESCRIPTION	QUALITY SYMBOLS
		▽=0
		∇=0

GENERAL TOLERANCES (UNLESS SPECIFIED)	
4 PLACES	± ---
3 PLACES	± ---
2 PLACES	± ---
1 PLACE	± 0.1
ANGULAR ± 1°	
DRAFT WHERE APPLICABLE MUST REMAIN WITHIN DIMENSIONS	

DIMENSION STYLE IN/MM	
DRAWN BY	DATE
SK. HAN	2007/12/13
CHECKED BY	DATE
WY. YANG	2007/12/13
APPROVED BY	DATE
EH. JUNG	2007/12/13
MATERIAL NO.	
SEE TABLE	
SIZE	A3

SCALE 5:1	DESIGN UNITS METRIC	THIRD ANGLE PROJECTION
TITLE 2.5 PITCH W/B CONN. HOUSING		
MOLEX MOLEX INCORPORATED		
MATERIAL NO. SD-35155-***0*	DOCUMENT NO.	SHEET NO. 1 OF 1
THIS DRAWING CONTAINS INFORMATION THAT IS PROPRIETARY TO MOLEX INCORPORATED AND SHOULD NOT BE USED WITHOUT WRITTEN PERMISSION		