

PLEASE CHECK WWW.MOLEX.COM FOR LATEST PART INFORMATION

Part Number: [0465480001](#)

Status: **Active**

Description: Heatsink Hook

Documents:

[Drawing \(PDF\)](#)

[Product Specification PS-46548-001 \(PDF\)](#)

[RoHS Certificate of Compliance \(PDF\)](#)

General

Product Family	Accessories
Series	46548
Application Tooling Part Link	621006900
Component Type	Latch
Product Name	N/A

Physical

Circuits (Loaded)	0
Circuits (maximum)	0
Lock to Mating Part	Yes
Material - Metal	Brass
Material - Plating Mating	Tin

Electrical

Current - Maximum per Contact	N/A
-------------------------------	-----

Material Info

Reference - Drawing Numbers

Product Specification	PS-46548-001
Sales Drawing	SD-46548-001

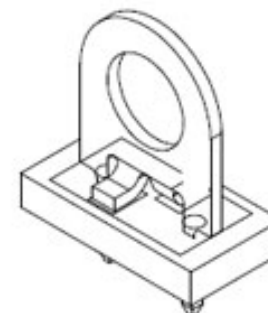


image - Reference only

Series

EU RoHS

**ELV and RoHS
Compliant**

REACH SVHC

Not Reviewed

Halogen-Free

Status

Not Reviewed

China RoHS



**Need more information on product
environmental compliance?**

Email productcompliance@molex.com
For a multiple part number RoHS Certificate of
Compliance, [click here](#)

Please visit the [Contact Us](#) section for any
non-product compliance questions.

Search Parts in this Series

46548Series

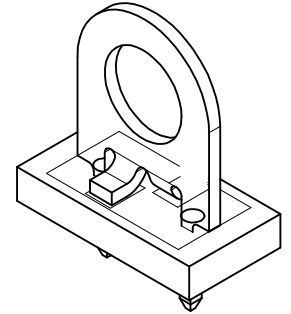
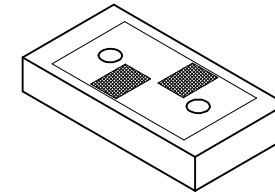
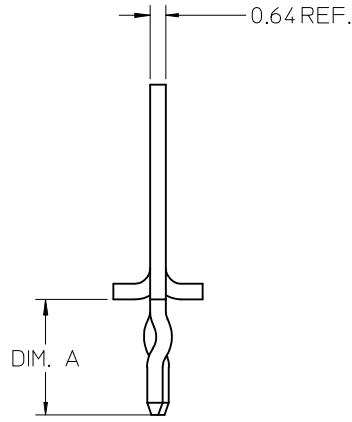
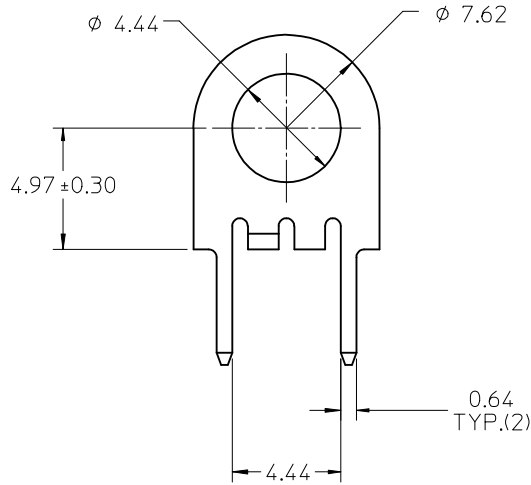
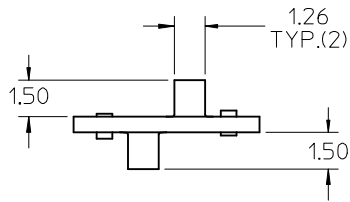
Application Tooling | FAQ

*Tooling specifications and manuals are
found by selecting the products below.
Crimp Height Specifications are then
contained in the Application Tooling
Specification document.*

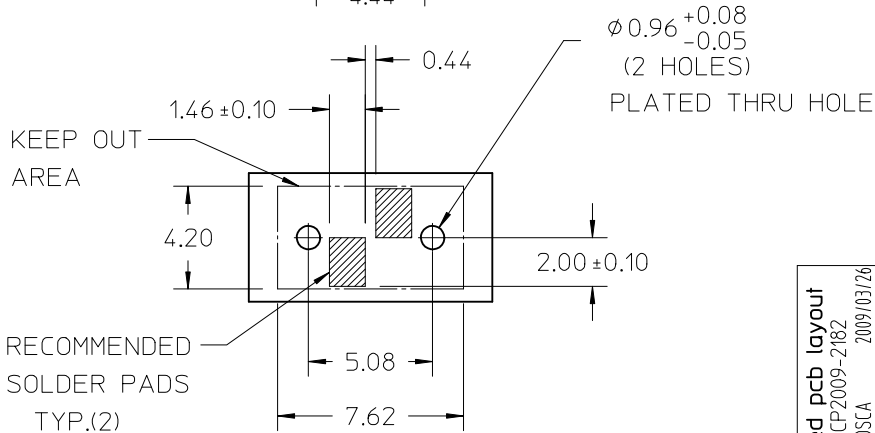
Global

Description	Product #
Heat Sink Hook	0621006900
Insertion Tool	

MATERIAL P/N	PCB THK.	DIM. A
46548-0001	---	3.60
46548-0002	---	4.18
46548-0003	---	4.57



HEATSINK HOOK, INSTALLATION PROCESS



RECOMMENDED PCB LAYOUT

NOTES:

1. MATERIAL: ALLOY 260 BRASS
2. PLATING: TIN 2.54μ OVER NICKEL 1.27μ
3. THIS PART CONFORMS TO CLASS B REQUIREMENTS OF COSMETIC SPEC PS-45499-002

reviewed pcb layout EC NO: UCP2009-2182 DRAWN: DROSCA 2009/03/26 CHKD: JCOMERC I 2009/03/26 APPR: JCOMERC I 2009/03/26	DESCRIPTION B1	QUALITY SYMBOLS	GENERAL TOLERANCES (UNLESS SPECIFIED)	DIMENSION STYLE	SCALE	DESIGN UNITS	THIRD ANGLE PROJECTION	
		▽=0	mm INCH	MM ONLY	5:1	METRIC	◎	
		∇=0	4 PLACES ± --- ± ---	DRAWN BY DATE	TITLE	HEATSINK HOOK		
			3 PLACES ± --- ± ---	DROSCA 04/26/2007	CHECKED BY DATE			
	2 PLACES ± 0.25 ± ---	JCOMERC I 04/26/2007	APPROVED BY DATE					
	1 PLACE ± 0.5 ± ---	JCOMERC I 04/26/2007	MATERIAL NO.	DOCUMENT NO.			SHEET NO.	
	ANGULAR ± 1/2°		SEE TABLE	SD-46548-001			1 OF 1	
DRAFT WHERE APPLICABLE MUST REMAIN WITHIN DIMENSIONS			THIS DRAWING CONTAINS INFORMATION THAT IS PROPRIETARY TO MOLEX INCORPORATED AND SHOULD NOT BE USED WITHOUT WRITTEN PERMISSION					