

PLEASE CHECK WWW.MOLEX.COM FOR LATEST PART INFORMATION

Part Number: [0673515004](#)
Status: **Active**
Description: MicroCross™ DVI-D Digital Visual Interface, Panel Mount, Through Hole, Vertical, Gold (Au) Flash, Polyester (PBT), 2.34mm (.092") PC TailLength, 24 Circuits, Lead Free

Documents:

[3D Model](#) [RoHS Certificate of Compliance \(PDF\)](#)
[Drawing \(PDF\)](#)

General

Product Family	I/O Connectors
Series	67351
Application	Wire-to-Board
Comments	DDWG (Digital Display Working Group) Standard
Component Type	Receptacle
Product Name	MicroCross™DVI
Type	N/A

Physical

Boot Color	N/A
Circuits (Loaded)	24
Circuits (maximum)	24
Color - Resin	Ivory, Natural
Durability (mating cycles max)	100
Gender	Receptacle
Keying to Mating Part	Yes
Lock to Mating Part	Yes
Material - Metal	Copper Alloy
Material - Plating Mating	Gold
Material - Plating Termination	Tin
Material - Resin	Polyester
Number of Rows	3
Orientation	Vertical
PC Tail Length (in)	0.092 In
PC Tail Length (mm)	2.34 mm
PCB Locator	Yes
PCB Retention	Yes
Packaging Type	Tray
Panel Mount	Yes
Pitch - Mating Interface (in)	0.075 In
Pitch - Mating Interface (mm)	1.91 mm
Pitch - Term. Interface (in)	0.075 In
Pitch - Term. Interface (mm)	1.91 mm
Plating min: Mating (µin)	2
Plating min: Mating (µm)	0.05
Plating min: Termination (µin)	100
Plating min: Termination (µm)	2.50
Polarized to Mating Part	Yes
Polarized to PCB	Yes
Ports	1
Surface Mount Compatible (SMC)	No
Temperature Range - Operating	-20°C to +85°C
Termination Interface: Style	Through Hole
Waterproof / Dustproof	No
Wire Size AWG	N/A

EU RoHS
ELV and RoHS
Compliant
REACH SVHC
 Not Reviewed
Halogen-Free
Status
Not Reviewed

China RoHS



Need more information on product environmental compliance?

Email productcompliance@molex.com
 For a multiple part number RoHS Certificate of Compliance, [click here](#)

Please visit the [Contact Us](#) section for any non-product compliance questions.

Search Parts in this Series

[67351Series](#)

Mates With

[74323](#) MicroCross™ DVI Plug Components.
[88741](#) MicroCross™ DVI Cable Assemblies

Electrical

Current - Maximum per Contact	3A
Grounding to Panel	Yes
Shield Type	Full Shield
Shielded	Yes
Voltage - Maximum	40V AC (RMS)

Material Info**Reference - Drawing Numbers**

Packaging Specification	PK-74320-010
Sales Drawing	SD-67351-004

This document was generated on 06/07/2010

PLEASE CHECK WWW.MOLEX.COM FOR LATEST PART INFORMATION

DO NOT SCALE DRAWING

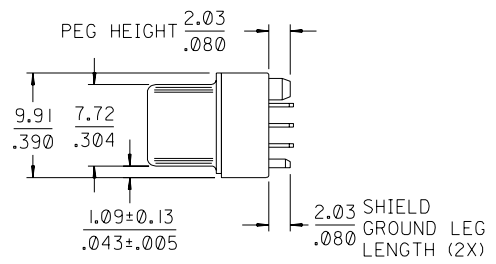
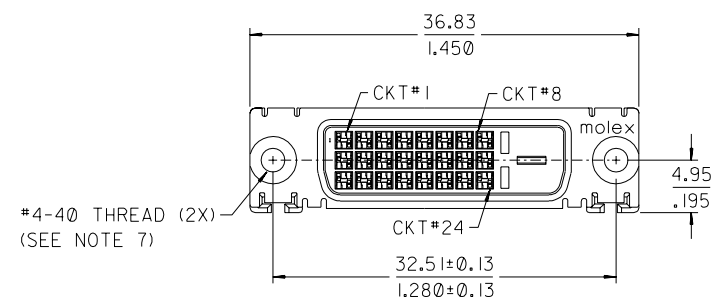
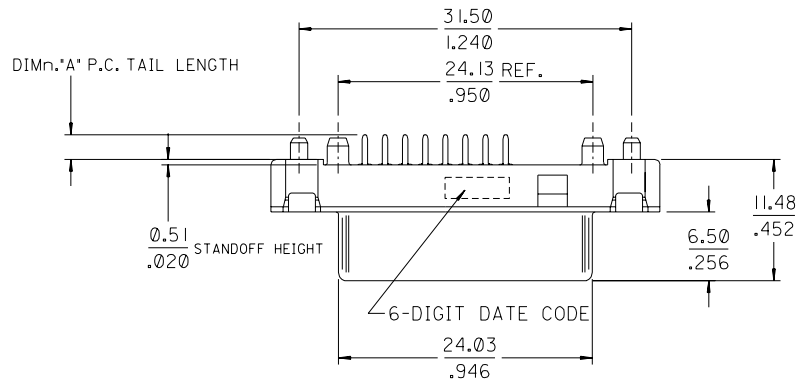
CADFILE NO: 56735104.S01

SIMILAR ITEM

EDP NO.

ENG. NO

SEE CHART



- NOTES:
- MATERIALS:
SHIELD -- DEEP DRAW STEEL.
HOUSING -- GLASS FILLED POLYMER, NATURAL (IVORY WHITE), UL 94v-0.
CONTACTS -- COPPER ALLOY.
 - PLATING: SEE SHEET 2.
 - PRODUCT CONFORMS TO MOLEX PRODUCT SPECIFICATION NUMBER PS-74320-001.
 - SEE SHEET 2 FOR RECOMMENDED PANEL CUT-OUT AND P.C.B. LAYOUT.
 - PARTS WILL BE PACKAGED IN TRAYS PER PK-74320-010.
 - PRODUCT CONFORMS TO DDWG DVI SPECIFICATION. REFER TO THIS SPECIFICATION FOR CONNECTOR MATING DIMENSIONS.
 - RECOMMENDED MOUNTING HARDWARE IS MOLEX P/N 87780-6066 OR 82007-0300 OR 71781-0001. REFER TO PRODUCT SPECIFICATION NUMBER PS-74320-001 FOR THE APPLICATION TORQUE REQUIREMENT FOR ASSEMBLING MOUNTING HARDWARE.

PART NUMBER	DIMn "A"	DIMn "B"	PLATING OPTION
67351-5000	2.34/.092	2.03	1
67351-5001	1.27/.050	.080	1
67351-5002	2.79/.110	2.79	1
67351-5003	3.12/.123	.110	1
67351-5004	2.34/.092	2.03	2
67351-5005	1.27/.050	.080	2
67351-5006	2.79/.110	2.79	2
67351-5007	3.12/.123	.110	2

MODIFICATION	DESCRIPTION
FC NO. SH2004-0129	MAJOR
DRWN: TXUE 2004/03/04	CRITICAL
CHK: GRMA 2004/03/04	
APPR: SAM 2004/03/04	
D	REV

QUALITY SYMBOLS	GENERAL TOLERANCES: (UNLESS SPECIFIED)
MAJOR	mm
CRITICAL	INCH
	4 PLACES ± .
	3 PLACES ± .
	2 PLACES ±0.25
	1 PLACE ±0.25
	ANGULAR: ±3°
	DRAFT WHERE APPLICABLE MUST REMAIN WITHIN DIMENSIONS

SCALE	DESIGN UNITS
2:1	<input checked="" type="checkbox"/> mm <input checked="" type="checkbox"/> INCH
	DRAWN BY & DATE
	GRACE 00/09/05
	CHECKED BY & DATE
	SASHIN 00/09/05
	APPROVED BY & DATE
	MLIN 00/09/05
	CAD FILENAME
	SD67351004.S01

DIMENSIONS:		SHT	REV
<input checked="" type="checkbox"/> mm	<input type="checkbox"/> INCH		
<input type="checkbox"/> mm	<input type="checkbox"/> ONLY		REVISE ON CAD ONLY
TITLE: DVI - DIGITAL VERTICAL RECEPTACLE CONNECTOR			
MOLEX INCORPORATED			
MATERIAL NO.	DRAWING NO.	SHEET NO.	
SEE CHART	SD-67351-004	1 OF 2	
THIS DRAWING CONTAINS INFORMATION THAT IS PROPRIETARY TO MOLEX INCORPORATED AND SHOULD NOT BE USED WITHOUT WRITTEN PERMISSION.			SIZE A3

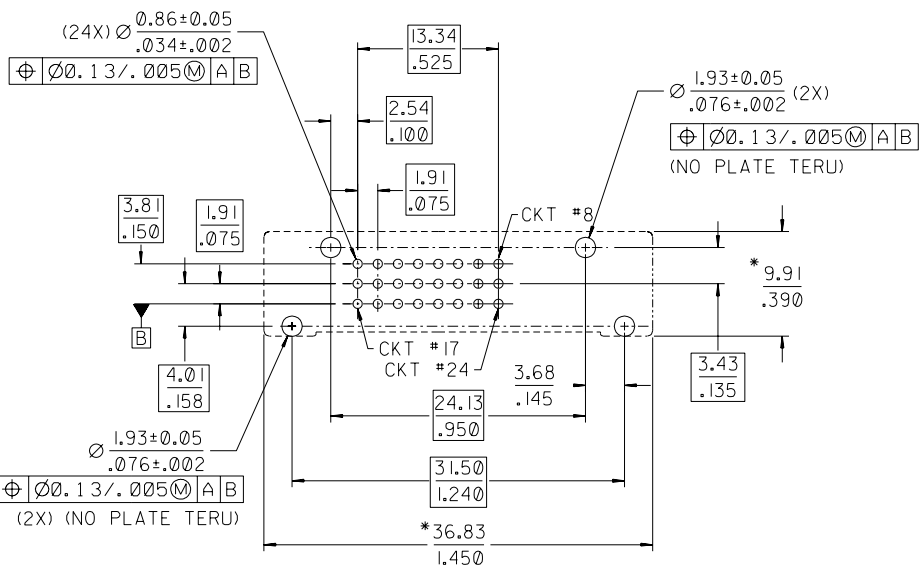
ENG. NO SEE CHART

EDP NO.

SIMILAR ITEM

CADFILE NO.:S6735104.S02

DO NOT SCALE DRAWING



RECOMMENDED PCB LAYOUT

* THESE DIMENSIONS REPRESENT CONNECTOR OVERLAY ON PCB

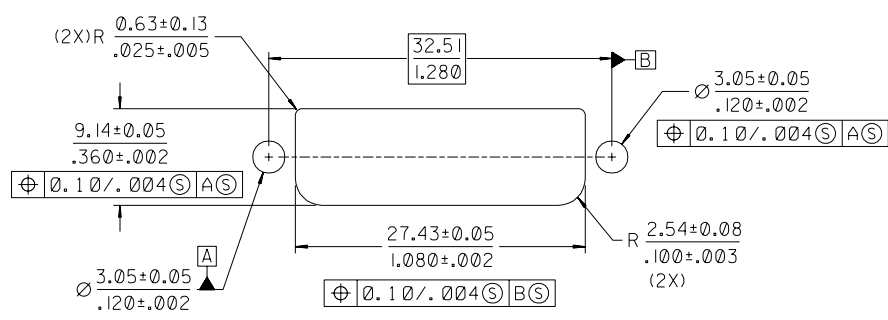
PLATING OPTIONS:

PLATING OPTION #1:

OUTER SHIELD -- 150u"/3.75um MIN. BRIGHT TIN OVER
 50u"/1.27um OVER COPPER FLASH.
 .075"/1.91mm CONTACTS -- 30u"/0.75um MIN. SELECT GOLD AND
 100u"/2.50um MIN. SELECT PURE TIN
 OVER 50u"/1.27um MIN. NICKEL OVERALL.

PLATING OPTION #2:

OUTER SHIELD -- 150u"/3.75um MIN. BRIGHT TIN OVER
 50u"/1.27um MIN. NICKEL OVER COPPER FLASH.
 .075"/1.91mm CONTACTS -- SELECT GOLD FLASH AND
 100u"/2.50um MIN. SELECT PURE TIN
 OVER 50u"/1.27um MIN. NICKEL OVERALL.



RECOMMEND PANEL CUT-OUT
 PANEL THICKNESS:0.76/.030 - 1.02/.040

MODIFICATION EC NO. SH2004-029 DRWN: TXUE 2004/03/04 CHK: GRMA 2004/03/04 APPR: SAM 2004/03/04	QUALITY SYMBOLS MAJOR ∇ CRITICAL \triangle	GENERAL TOLERANCES: (UNLESS SPECIFIED)	SCALE 2:1	DESIGN UNITS <input checked="" type="checkbox"/> mm <input checked="" type="checkbox"/> INCH	DIMENSIONS: <input checked="" type="checkbox"/> mm <input type="checkbox"/> INCH <input type="checkbox"/> mm ONLY	SHT	REV
	REVISIONS D	ANGULAR: $\pm 3^\circ$	DRAFT WHERE APPLICABLE MUST REMAIN WITHIN DIMENSIONS	DRAWN BY & DATE GRACE 00/09/05	TITLE: DVI-DIGITAL VERTICAL RECEPTACLE CONNECTOR	REVISE ON CAD ONLY	
				CHECKED BY & DATE SASHIN 00/09/05	MOLEX INCORPORATED		
				APPROVED BY & DATE MLIN 00/09/05	CAD FILENAME SD67351004.S02	MATERIAL NO. SEE CHART	DRAWING NO. SD-67351-004
							SHEET NO. 2 OF 2
							SIZE A3