

PLEASE CHECK WWW.MOLEX.COM FOR LATEST PART INFORMATION

Part Number: [0752342508](#)
Status: **Active**
Overview: [gbx_backplane_connector_system](#)
Description: GbX 2-Pair Free Backplane Free Standing Guide Pin Kit

Documents:

[Drawing \(PDF\)](#) [RoHS Certificate of Compliance \(PDF\)](#)

General

Product Family	Backplane Connectors
Series	75234
Application	Backplane, Midplane
Application Tooling Documents	Tooling Manual
Comments	Use with PCB Thickness of 5.00mm to 8.00mm
Component Type	Guide
More Detailed Tech Information	I-Trac@molex.com
Overview	gbx_backplane_connector_system
Product Name	GbX®
Style	N/A

Physical

Circuits (Loaded)	N/A
Durability (mating cycles max)	200
First Mate / Last Break	No
Guide to Mating Part	No
Keying to Mating Part	N/A
Material - Metal	Stainless Steel
Number of Columns	N/A
Number of Pairs	N/A
Number of Rows	0
Orientation	N/A
PCB Retention	Yes
Packaging Type	Bag
Pitch - Mating Interface (in)	0.000 In
Pitch - Mating Interface (mm)	0.00 mm
Polarized to PCB	N/A
Surface Mount Compatible (SMC)	N/A
Temperature Range - Operating	N/A

Electrical

Current - Maximum per Contact	N/A
Data Rate	N/A
Shield Type	N/A
Voltage - Maximum	N/A

Material Info

Old Part Number	75834-2508
-----------------	------------

Reference - Drawing Numbers

Sales Drawing	SD-75234-120
---------------	--------------

GbX is a registered trademark of Amphenol Corporation.

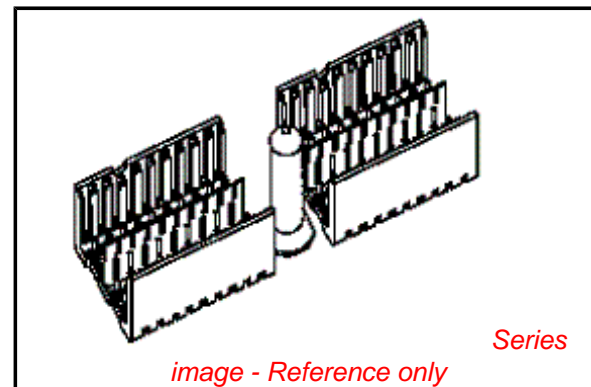


image - Reference only

EU RoHS

**ELV and RoHS
Compliant**

REACH SVHC

Contains SVHC: No

Halogen-Free

Status

Not Reviewed

**Need more information on product
environmental compliance?**

Email productcompliance@molex.com
For a multiple part number RoHS Certificate of
Compliance, [click here](#)

Please visit the [Contact Us](#) section for any
non-product compliance questions.

China RoHS



Search Parts in this Series

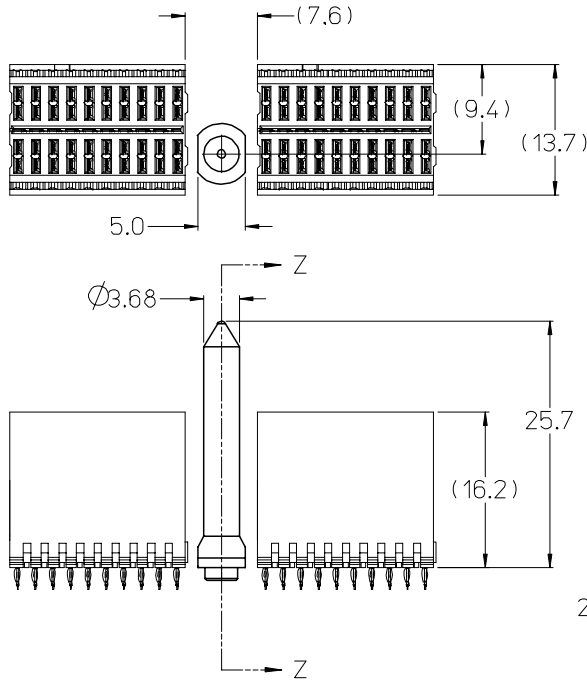
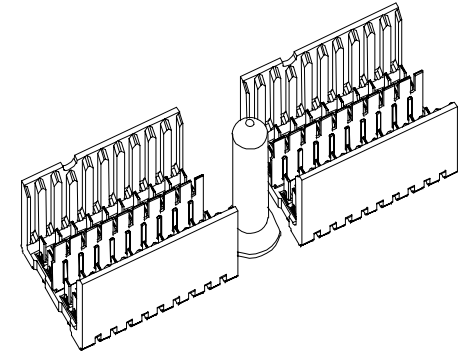
75234Series

TABLE 2 - SCREW SPECIFICATIONS

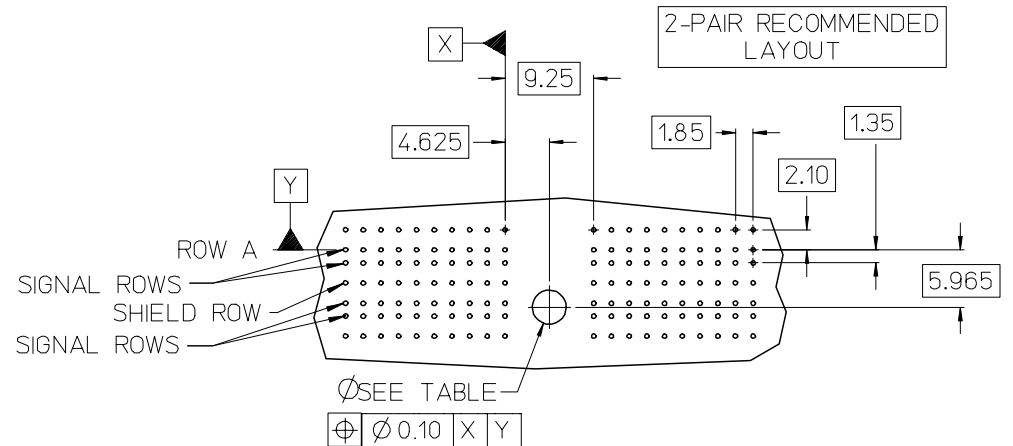
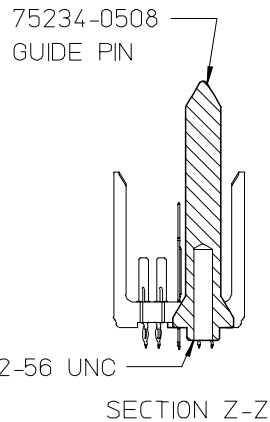
SCREW P/N	DESCRIPTION	BOARD THICKNESS
73774-1000	#2-56 X 0.375" LONG SQUARE CONICAL MACHINE SCREW	1.6-5.0mm
73774-1005	#2-56 X 0.500" LONG SQUARE CONICAL MACHINE SCREW	5.0-8.0mm

TABLE 1 - HOLE SPECIFICATIONS

FINISHED HOLE SIZE	GROUNDED	UNGROUNDED
	ϕ 3.48-3.63	ϕ 3.48-3.63
PAD	ϕ 6.5	N/A
PLATED	YES	NO
DRILL (mm)	ϕ 3.66	---
DRILL (in)	ϕ 0.144	---



KIT P/N	BOARD THICKNESS	GUIDE PIN P/N	SCREW P/N
75234-1508	1.6 - 5.0mm	75234-0508	73774-1000
75234-2508	5.0 - 8.0mm	75234-0508	73774-1005



- NOTES:
- REFER TO BACKPLANE SALES DRAWINGS FOR ROW AND COLUMN ASSIGNMENTS.
 - INSTALLATION TORQUE SPECIFICATIONS: 2.5-3.0 INCH-POUNDS.
 - PLATED THRU HOLE TO CONNECT TO CHASSIS FOR GROUNDED GUIDE MODULE OPTION.
 - REFER TO PRODUCT SPECIFICATION PS-75221-999 FOR ADDITIONAL DETAILS.
 - MINIMUM BOARD THICKNESS: 1.60

INITIAL RELEASE EC NO: UCP2006-1184 DRWN: JB INGHAM CHKD: CBI XLER APPR: CBI XLER 2006/01/18 2006/01/18 2006/01/19	QUALITY SYMBOLS	GENERAL TOLERANCES (UNLESS SPECIFIED)	DIMENSION STYLE	SCALE	DESIGN UNITS	THIRD ANGLE PROJECTION
	$\nabla=0$ $\nabla=0$	mm	MM ONLY	2:1	METRIC	TITLE GBX 2-PAIR BACKPLANE FREE-STANDING GUIDE PIN BOARD LAYOUT DRAWING
		INCH	DRAWN BY	DATE		
	REV	DESCRIPTION	4 PLACES ± --- ± ---	DATE		
A		3 PLACES ± --- ± ---	2005/11/22			SHEET NO. 1 OF 1
		2 PLACES ± --- ± ---	CHECKED BY			THIS DRAWING CONTAINS INFORMATION THAT IS PROPRIETARY TO MOLEX INCORPORATED AND SHOULD NOT BE USED WITHOUT WRITTEN PERMISSION
		1 PLACE ± --- ± ---	2005/11/22			
		ANGULAR ± ---°	APPROVED BY			
			2005/11/22			
			MATERIAL NO.			
			SEE CHART			