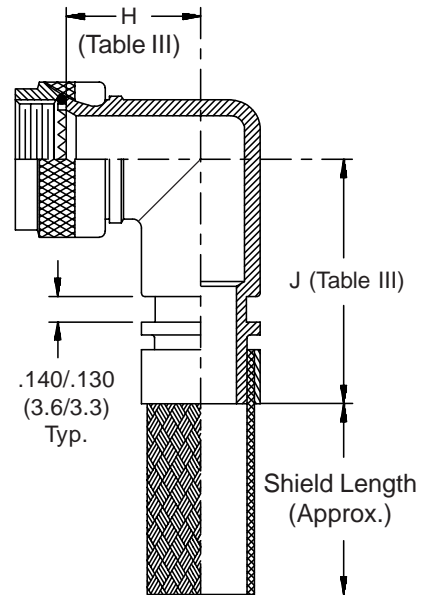
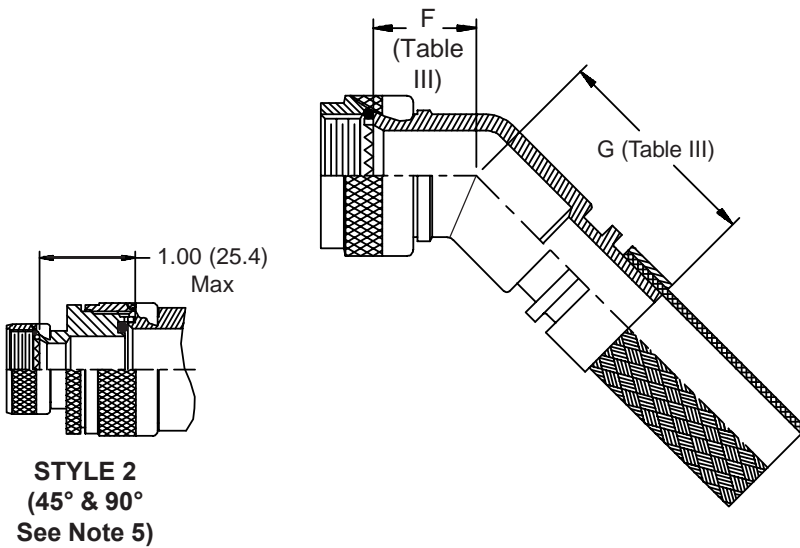
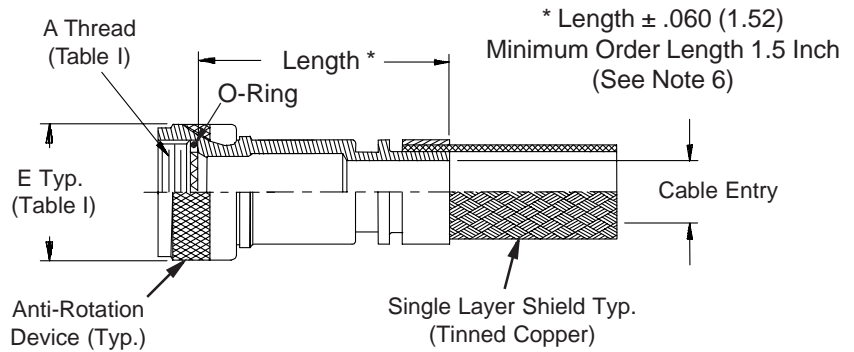
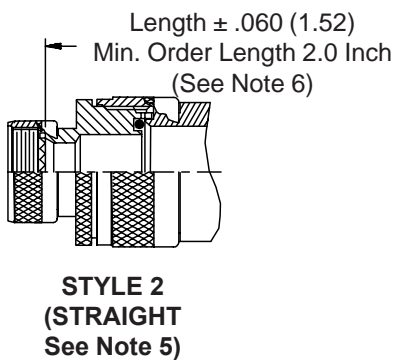
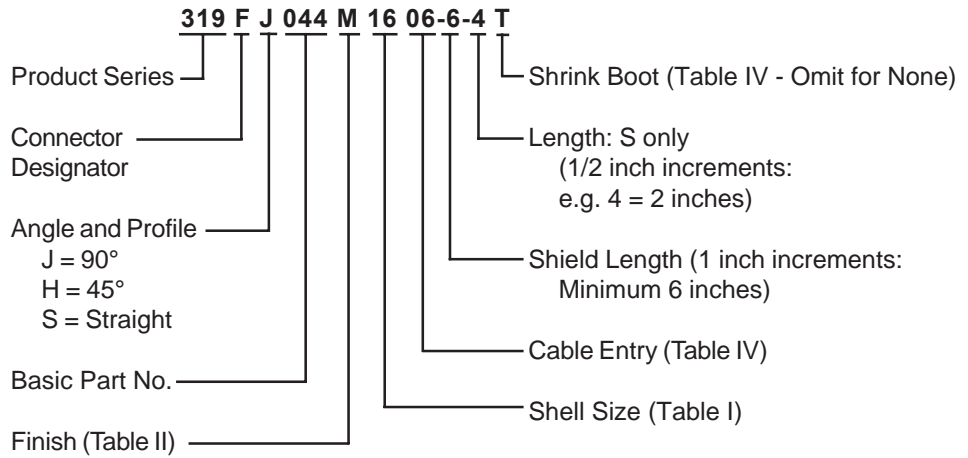


**CONNECTOR
 DESIGNATORS
 A-F-H-L-S
 SELF-LOCKING
 ROTATABLE
 COUPLING**



319-044
EMI/RFI Shield Sock Shrink Boot Adapter
 with Optional Shrink Boot
 Standard Profile - Self Locking - Rotatable Coupling



See inside back cover fold-out or
 pages 13 and 14 for unabridged Tables I and II.

TABLE III: DIMENSIONS

Shell Size		F Max	G Max	H Max	J Max
Conn. Desig. A-F-L-S	H				
08	09	.986 (25.0)	1.045 (26.5)	1.096 (27.8)	1.155 (29.3)
10	11	1.016 (25.8)	1.075 (27.3)	1.166 (29.6)	1.225 (31.1)
12	13	1.038 (26.4)	1.097 (27.9)	1.226 (31.1)	1.285 (32.6)
14	15	1.056 (26.8)	1.125 (28.6)	1.286 (32.7)	1.345 (34.2)
16	17	1.066 (27.1)	1.145 (29.1)	1.346 (34.2)	1.405 (35.7)
18	19	1.106 (28.1)	1.165 (29.6)	1.396 (35.5)	1.455 (37.0)
20	21	1.136 (28.9)	1.195 (30.4)	1.466 (37.2)	1.525 (38.7)
22	23	1.156 (29.4)	1.215 (30.9)	1.516 (38.5)	1.575 (40.0)
24	25	1.186 (30.1)	1.245 (31.6)	1.586 (40.3)	1.645 (41.8)

TABLE II: STANDARD FINISHES

GLENAIR SYMBOL	FINISH
B	Cadmium Plate, Olive Drab
M	Electroless Nickel
NF	Cadmium Plate, Olive Drab Over Electroless Nickel

See Back Cover for Complete Finish Information and Additional Finish Options

1. Cable Entry is defined as the accomodation range for the wire bundle or cable. Dimensions shown are not intended for inspection criteria.
2. See Shrink Boot Reference Information (page 40).
3. Metric dimensions (mm) are indicated in parentheses.
4. O-Ring not supplied with Connector Designator A.
5. When maximum entry (page 21) is exceeded, Style 2 will be supplied. Dimensions F, G, H & J will not apply. Please consult factory.
6. Consult factory for shorter lengths on straight backshells.

TABLE IV: CABLE ENTRY/SHRINK BOOT

Dash No.	Cable Entry	Shrink Boot *
01	.188 (4.8)	n/a
02	.250 (6.4)	n/a
03	.312 (7.9)	202K121-25-0
04	.375 (9.5)	202K121-25-0
05	.438 (11.1)	202K121-25-0
06	.500 (12.7)	202K132-25-0
07	.562 (14.3)	202K132-25-0
08	.625 (15.9)	202K132-25-0
09	.688 (17.5)	202K142-25-0
10	.750 (19.1)	202K142-25-0
11	.812 (20.6)	202K142-25-0
12	.875 (22.2)	202K1532-25-0
13	.938 (23.8)	202K153-25-0
14	1.000 (25.4)	202K153-25-0
15	1.250 (31.8)	202K163-25-0
16	1.500 (38.1)	202K174-25-0
17	1.750 (44.5)	n/a
18	2.000 (50.8)	n/a
19	1.125 (28.6)	n/a
20	1.375 (34.9)	n/a
21	1.625 (41.3)	n/a
22	1.062 (27.0)	n/a
23	1.188 (30.2)	n/a
24	1.875 (47.6)	n/a

* Raychem Shrink Boot Supplied with "T" Option (see Part Number Development)