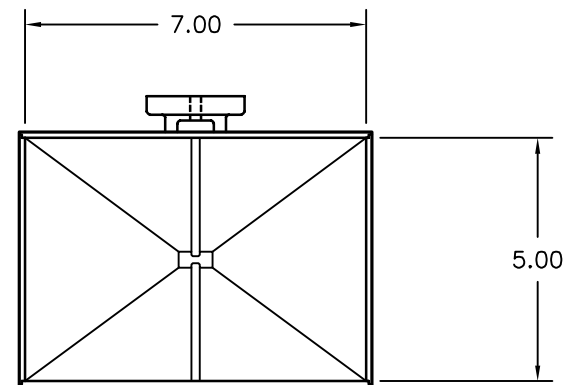
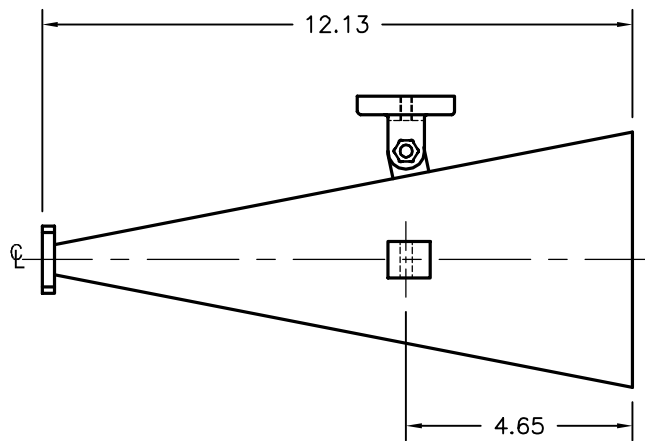
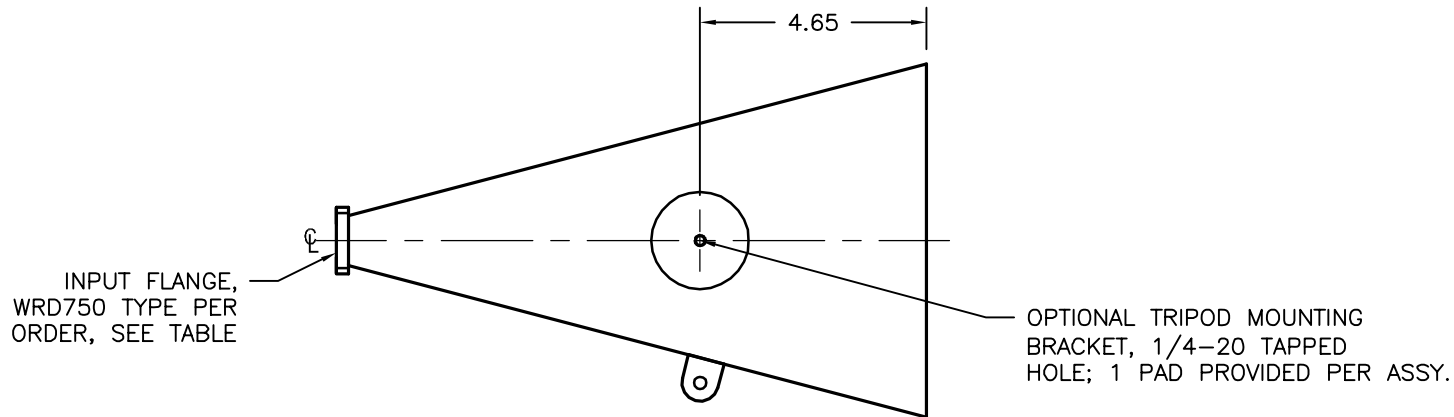


REV <b>A</b>	AUTH <b>RL</b>	DATE <b>03/20/06</b>	INITIAL RELEASE
REV <b>B</b>	AUTH <b>RL</b>	DATE <b>11/16/06</b>	UPDATED TO SHOW TRIPOD MOUNTING, MODEL NUMBER CORRECTED.



*DOUBLE RIDGE FLANGE TYPES		
DESIGNATION	TYPE	HOLE PATTERN
C1	COVER	ALL THRU/TAPPED
C2	COVER	ALL TAPPED
C3	COVER	ALL THROUGH
G1	GROOVE	ALL THRU/TAPPED
G2	GROOVE	ALL TAPPED
G3	GROOVE	ALL THROUGH

### MODEL SPECIFICATIONS

#### MECHANICAL

MODEL NUMBER: 750-442-XX\*  
 MATERIAL: 6061/T-6 ALUM.  
 FINISH: UNIQUE 316 STAINLESS STEEL  
 EPOXY COATING  
 FLANGES: WRD750 PER ORDER, \*SEE TABLE

#### ELECTRICAL

FREQ. RANGE: 8.0-18.0 GHz  
 GAIN: 20dB  
 VSWR: 1.85

THIRD ANGLE PROJECTION:		APPROVALS	DATE	<b>ADVANCED TECHNICAL MATERIALS, INC.</b> TEL: (631) 289-0363 FAX: (631) 289-0358 www.atmmicrowave.com	<small>THE INFORMATION IN THIS DRAWING IS PROPRIETARY AND SHALL NOT BE USED OR DISCLOSED WITHOUT THE PRIOR WRITTEN CONSENT OF ATM, INC. DO NOT SCALE DWG.</small>
UNLESS OTHERWISE NOTED, DIMENSIONS ARE IN INCHES, TOLERANCES ARE: FRACTIONS: ±1/64 ANGLES: ±1/2°		DRAWN <b>RL</b>	<b>03/20/06</b>		
BASIC DIMENSION	DECIMALS 2 PLACE   3 PLACE	CHKD.	APRVD.	<b>OUTLINE, WRD750 HORN ANTENNA</b>	
UNDER 6"	<b>±.02</b>   <b>±.005</b>	MATERIAL <b>ALUM.</b>			
6" - 12"	<b>±.03</b>   <b>±.010</b>	TREATMENT -			
OVER 12"	<b>±.06</b>   <b>±.015</b>	FINISH <b>SEE NOTES</b>		SIZE <b>A</b>	CAGE CODE OR8N4
				ATM DWG # <b>6678W</b>	REVISION <b>B</b>
				SCALE <b>1 : 4</b>	SHEET <b>1/1</b>