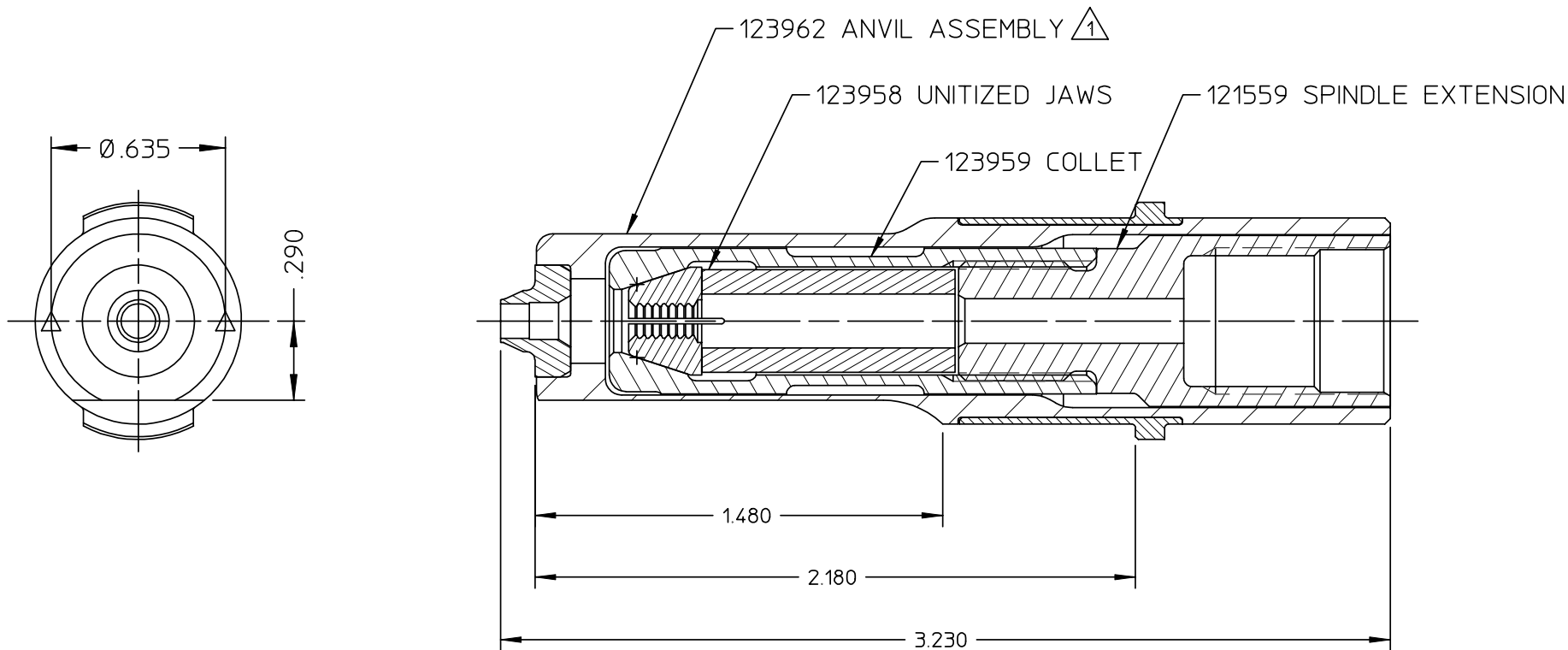


# DATA SHEET



**Alcoa Fastening Systems**

Commercial Products  
1 Corporate Drive, Kingston, NY 12401

NOSE TYPE: NON-SELF-RELEASING

FASTENER TYPE: -05 BB

TOOL(S): 202, 212, 352, 2400

Notes:

Product Revision: **B**

US Patent:

Date: 06/10/03

NOTES:

- 1 ANVIL ASSEMBLY 123962 CONSISTS OF:  
ANVIL HOLDER ASSEMBLY 123961 AND  
ANVIL INSERT 119375.
- 2 ANVIL HOLDER ASSEMBLY 123961 CONSISTS OF:  
ANVIL HOLDER 123960, (NOT AVAILABLE SEPARATELY),  
RETAINER 120738.

99-2701

Part Number