

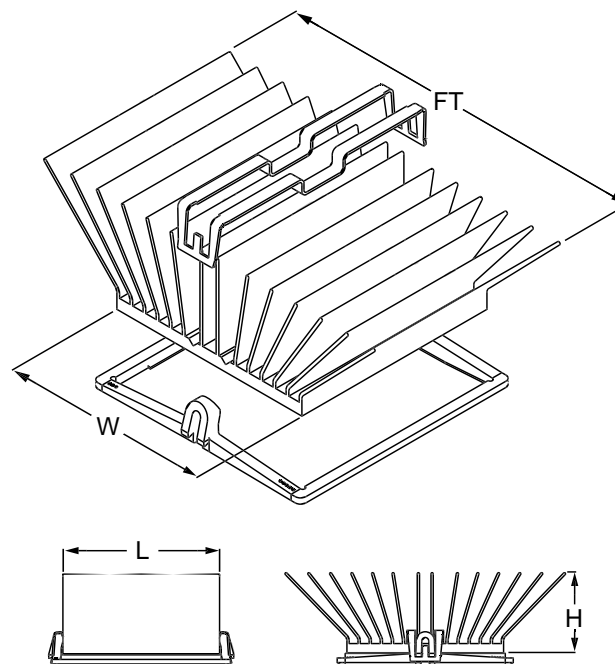


# High Performance BGA Cooling Solutions w/ superGRIP™ Attachment

**ATS PART # ATS-X50310B-C1-R0**

## Features & Benefits

- » Designed for 31 x 31 mm BGA components
- » Requires minimal space around the component's perimeter; ideal for densely populated PCBs
- » Allows the heat sink to be detached and reattached without damaging the component or the PCB, an important feature in the event a PCB may need to be reworked
- » Strong, uniform attachment force helps achieve maximum performance from phase-changing TIMs
- » Eliminates the need to drill mounting holes in the PCB
- » Assembly comes standard with a high performance maxiFLOW™ heat sink which maximizes convection (air) cooling
- » Comes standard with clean break, reworkable, Chomerics T-766 phase change material



*\*Image above is for illustration purposes only.*

## Thermal Performance

| AIR VELOCITY |     | THERMAL RESISTANCE   |                    |
|--------------|-----|----------------------|--------------------|
| FT/MIN       | M/S | °C/W (UNDUCTED FLOW) | °C/W (DUCTED FLOW) |
| 200          | 1.0 | 6.9                  | 5.3                |
| 300          | 1.5 | 5.5                  |                    |
| 400          | 2.0 | 4.7                  |                    |
| 500          | 2.5 | 4.2                  |                    |
| 600          | 3.0 | 3.9                  |                    |
| 700          | 3.5 | 3.6                  |                    |
| 800          | 4.0 | 3.3                  |                    |

## Product Details

| LENGTH | WIDTH | HEIGHT | FIN TIP to FIN TIP | INTERFACE MATERIAL | FINISH        |
|--------|-------|--------|--------------------|--------------------|---------------|
| 31 mm  | 31 mm | 7.5 mm | 44.4 mm            | CHOMERICS T766     | BLUE-ANODIZED |

### NOTES:

- 1) Length and width dimensions refer to the size of the component. Dimensions of the heat sink are subject to tolerances of up to .99 mm in order to accommodate the clip assembly
- 2) Thermal performance data are provided for reference only. Actual performance may vary by application
- 3) ATS reserves the right to update or change its products without notice to improve the design or performance
- 4) Additional tooling fees may be required
- 5) Typical lead time is a minimum of 4-6 weeks
- 6) Contact ATS to learn about custom options available



**ATS** ADVANCED THERMAL SOLUTIONS, INC.  
Innovations in Thermal Management®

**For more information, to find a distributor or to place an order, visit [www.qats.com](http://www.qats.com) or call: 781.769.2800 (North America); +31 (0) 3569 84715 (Europe).**