

The ECS-200 Series clock oscillator offers low current drain and is compatible with HCMOS/LSTTL logic. It is ideal for low power HCMOS applications. The metal package with pin #7 case ground acts as shielding to minimize radiation and conforms to FCC EMI specifications.

FEATURES

- HCMOS/LSTTL logic compatible
- Wide frequency range
- Low power consumption
- Resistance weld package
- 3.3V operation (optional)

PART NUMBERING GUIDE

PART NUMBER *	FREQUENCY STABILITY
ECS-200A	±100 PPM
ECS-200B	±50 PPM
ECS-200C	±25 PPM

* Complete part number to include frequency, i.e. ECS-200A-100 (100 = 10.000MHz)

OPERATING CONDITIONS/ELECTRICAL CHARACTERISTICS

PARAMETERS	FREQUENCY RANGE	CONDITIONS	MINIMUM	TYPICAL	MAXIMUM	UNITS
FREQUENCY RANGE (f_0)	1.000 ~ 150.000		1.000		150.000	MHz
OPERATING TEMP. RANGE (T_{OPR})	1.000 ~ 150.000		0		+70	°C
STORAGE TEMP. RANGE (T_{STG})	1.000 ~ 150.000		-55		+125	°C
FREQUENCY STABILITY	1.000 ~ 150.000	All conditions*	-100		+100	PPM
INPUT CURRENT (I_{DD})	1.000 ~ 20.000				12	mA
	20.000 ~ 25.000				15	mA
	25.000 ~ 150.000				30	mA
OUTPUT SYMMETRY		50% V_{DD} level	45	50 ±3	55	%
RISE TIME (T_R)	1.000 ~ 25.000	10% ~ 90% V_{DD} level			10	nS
	25.000 ~ 150.000	10% ~ 90% V_{DD} level			5	nS
FALL TIME (T_F)	1.000 ~ 25.000	90% ~ 10% V_{DD} level			10	nS
	25.000 ~ 150.000	90% ~ 10% V_{DD} level			5	nS
OUTPUT VOLTAGE (V_{OL}) (V_{OH})	1.000 ~ 150.000	$I_{OL} = 4$ mA			0.5	V
	1.000 ~ 150.000	$I_{OH} = -4$ mA	4.5			V
OUTPUT CURRENT (I_{OL}) (I_{OH})	1.000 ~ 150.000	$V_{OL} = 0.5$ V			4	mA
	1.000 ~ 150.000	$V_{OH} = 4.5$ V			-4	mA
OUTPUT LOAD	1.000 ~ 3.500	HCMOS/LSTTL			15	pF
	3.510 ~ 150.000	HCMOS/LSTTL			50	pF
START-UP TIME (T_s)	1.000 ~ 25.000				5	mS
	25.000 ~ 150.000				10	mS
SUPPLY VOLTAGE	1.000 ~ 150.000	+5.0 ±0.25				V _{DC}

* Inclusive of 25°C tolerance, operating temperature range, input voltage change, load change, aging, shock and vibration.

PACKAGE DIMENSIONS (mm)

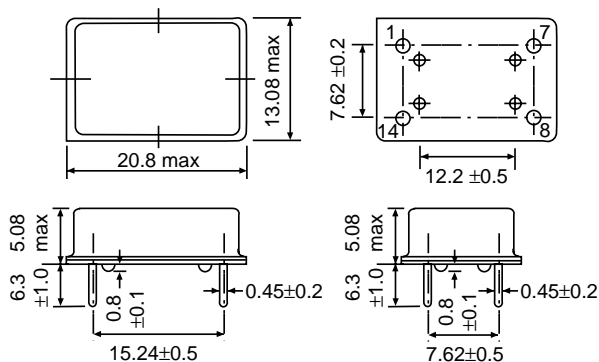


Figure 1) ECS-200 Series - Top, Bottom and Side views

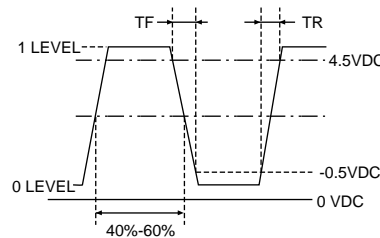


Figure 2) Output Wave Form

PIN CONNECTIONS	
#1	NC
#7	CASE GND
#8	OUTPUT
#14	+5 V DC

Figure 3) Pin Connection