

# 10Base-T Media Isolation Transformer with Common Mode Choke

## EPE6378S & EPE6378S-RC

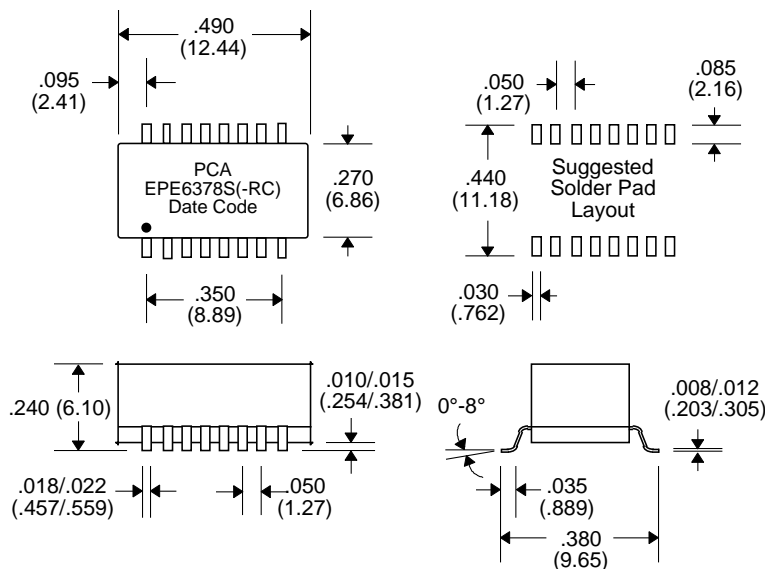


- Add "-RC" after part number for RoHS Compliant
- Optimized for Level One's LXT 905/908 10Base-T Transceiver Chips
- Complies with or exceeds IEEE 802.3 10Base-T Requirements
- Surface Mount Package
- 2000 Vrms Isolation

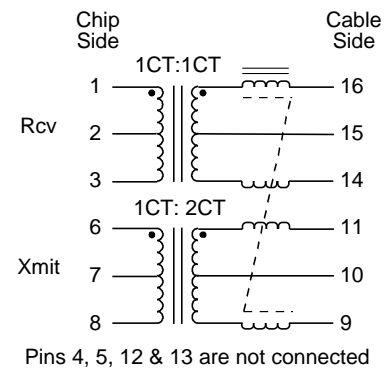
### Electrical Parameters @ 25° C

Primary Inductance ( $\mu$ H Min.)		Insertion Loss (dB Max.)	Return Loss (dB Min.)	Crosstalk (dB Min.)	CMRR (dB Min.)	
@ 100KHz, 20mVrms		1-10 MHz	1-10 MHz	1-10 MHz	10-30 MHz	30-100 MHz
Xmit	Rcv					
28	110	-1.0	-18	-40	-40	-30

### Package



### Schematic



Notes :	EPE6378S	EPE6378S-RC
1. Lead Finish	SnPb	Matte Tin
2. Peak Temperature Rating	225°C	260°C
3. Moisture Sensitive Levels	MSL = 3 (168 Hours, 30°C/60%RH)	MSL = 4 (72 Hours, 30°C/60%RH)
4. Weight	TBD grams	TBD grams
5. Packaging Information (*Add "TR" to end of part number when placing order)	(Tube)	TBD pieces/tube
	(Tape & Reel)	TBD pieces/13" reel (*EPE6378S-TR)
		TBD pieces/13" reel (*EPE6378S-RCTR)

Unless Otherwise Specified Dimensions are in Inches /mm  $\pm$  .010 / .25