



**Features**

- Surface mounting normally open switch
- Miniature size with 15.24mm x 2.66mm (0.600" x 0.105") glass envelope
- Capable of switching 200Vdc or 1A at up to 20W
- 10<sup>10</sup> Ohms insulation resistance
- Available sensitivity 17-38 AT
- Bulk or tape and reel packaging. See sheet 2

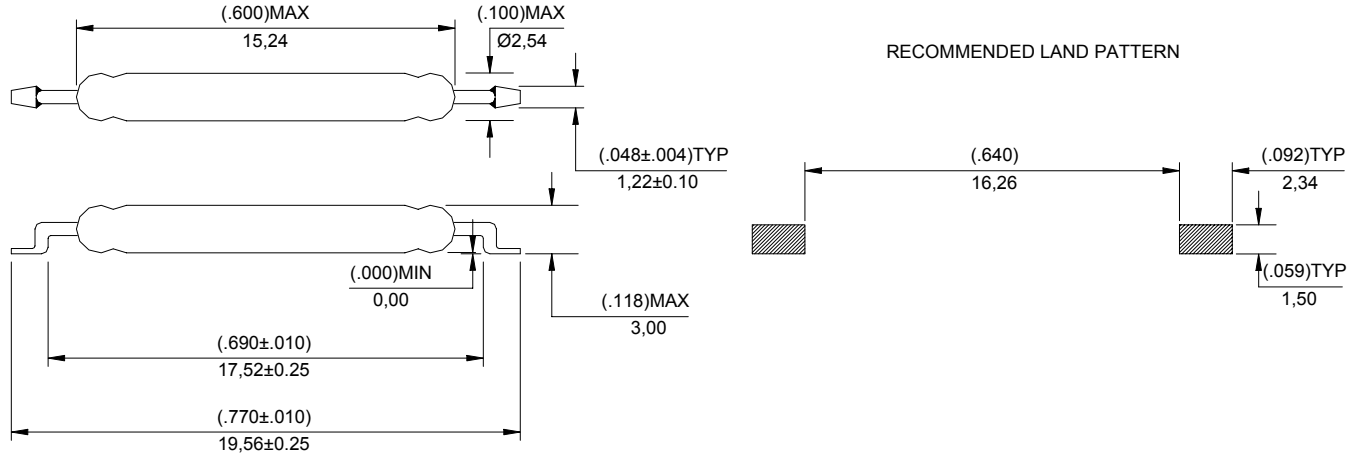
**Benefits**

- Hermetically sealed switch contacts are not affected by and have no effect on their external environment
- Low, stable contact resistance
- Very small space requirements
- Zero operating power required for contact closure
- Fit and forget durability

**Applications**

- Position sensing
- Level sensing
- Security
- Telecoms
- Office Equipment
- Light inductive loads

**SWITCH DIMENSIONS (in) mm**



**SWITCH TYPE** **MLSM-3**

**ELECTRICAL RATINGS** Contact Form A - Normally Open

Contact Rating (1)	Power	Watts - max	20
Voltage	Switching	Vdc - max.	200
	Breakdown	Vdc - min.	250
Current	Switching	A - max.	1.0
	Carry	A - max.	1.2
Resistance	Contact, Initial	Ohms - max.	0.10
	Insulation	Ohms - min.	10 <sup>10</sup>
Capacitance	Contact	pF - typ.	0.4
Temperature	Operating	°C	-40 to +125
	Storage (2)	°C	-65 to +125

**OPERATING CHARACTERISTICS**

Time	Operate (3)	ms - max.	0.7
	Release (3)	ms - max.	0.2
Shock	11ms ½ sine	G - max.	100
Vibration	50-2000 Hz.	G - max.	30
Resonant Frequency		kHz -typ.	6.0

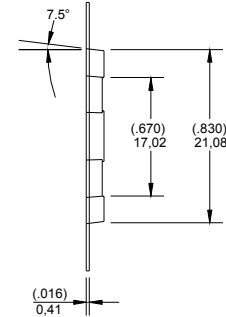
**MAGNETIC CHARACTERISTICS**

Pull-In Ranges Available	Switch AT before modification	Ampere Turns (AT)	17-23, 22-28, 27-33 & 32-38
Rating Sensitivity (4)		Ampere Turns (AT)	20
Test Coil			L4989

- Notes:-**
- 1) Contact Rating. Product of the switching voltage and current must never exceed the wattage rating. Contact Hamlin for additional load/life information.
  - 2) Storage Temperature. Long term exposure at elevated temperature may degrade solderability of the leads.
  - 3) Operate (including bounce) /Release Time. Tested per EIA/NARM RS421A with diode suppressed coil.
  - 4) Rating Sensitivity. The value at which the contact ratings and operating characteristics are determined. De-rating may be required below this value.

Packaging: - Bulk - 100 per Box or Tape and Reel - 3,000 per Reel

**TAPE DIMENSIONS (in) mm**



1. ALL TAPE & SPROCKET HOLE DIMENSIONS ARE PER FIA-481 UNLESS NOTED
2. ALL POCKET DIMENSIONS ARE ±(.004") 0,10mm
3. ALL DIMENSIONS ARE TO INSIDE OF POCKET

**REEL DIMENSIONS (in) mm**

