



Frontier Electronics Corp.

667 E. COCHRAN STREET, SIMI VALLEY, CA 93065

TEL: (805) 522-9998 FAX: (805) 522-9989

E-mail: frontiersales@frontierusa.com

Web: frontierusa.com

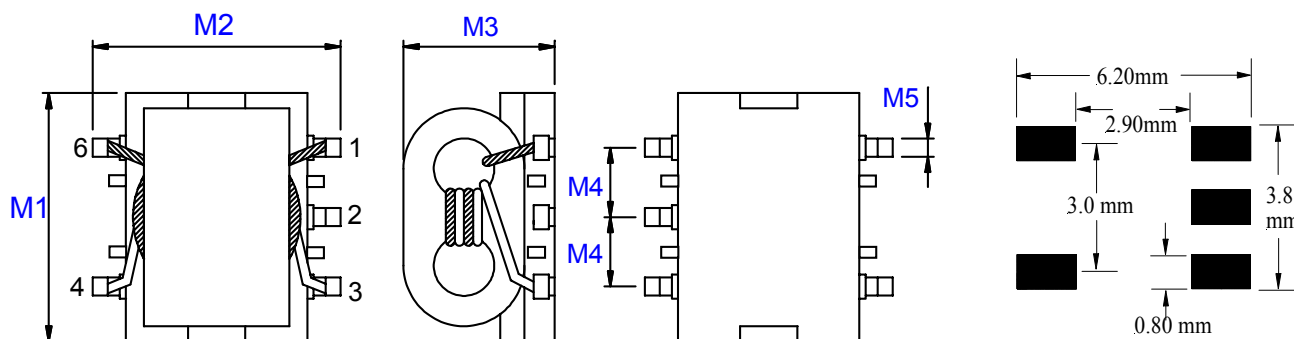
SMD Balun Transformer—SBT201-series

A. Electrical specifications:

Part No.	Winding Turns	Insertion Loss 2.5dB Max.
SBT201-02	2.5 Ts	@ 8.0~2000 MHz
SBT201-03	3.5 Ts	@ 6.0~2000 MHz
SBT201-04	4.5 Ts	@ 5.0~1900 MHz
SBT201-05	5.5 Ts	@ 3.0~1700 MHz

B. Mechanical dimensions: (Unit: mm)

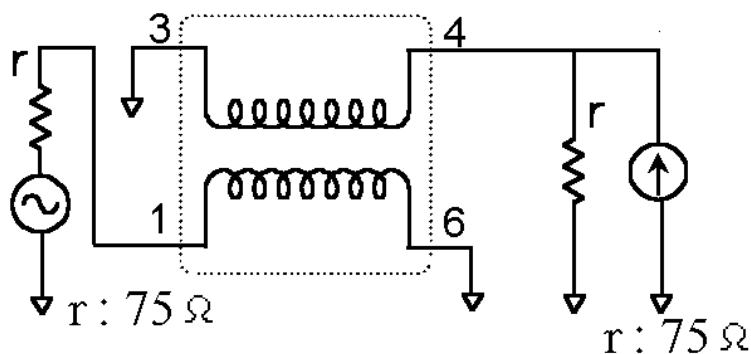
	M1	M2	M3	M4	M5
Dimension	4.4	5.50	3.20	1.50	0.50
Tolerance	Max.	Max.	Max.	± 0.30	± 0.15



Mechanical dimension

Land Pattern

C. Test configuration and connection:



D. Note: **RoHS** compliant; for the **ROHS** parts, we add “-LFR” at the end of the P/N.



Frontier Electronics Corp.

667 E. COCHRAN STREET, SIMI VALLEY, CA 93065

TEL: (805) 522-9998 FAX: (805) 522-9989

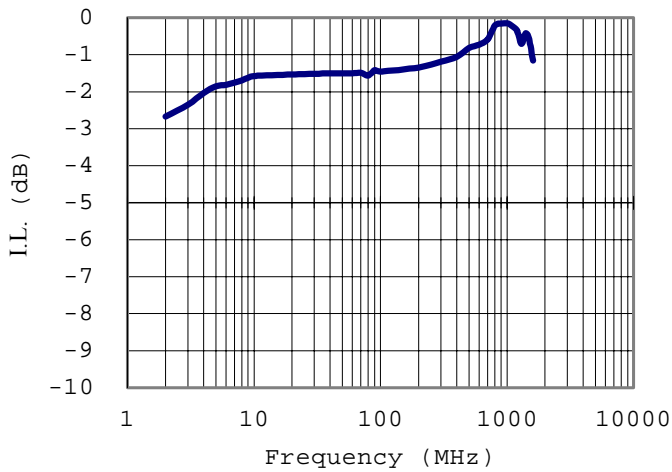
E-mail: frontiersales@frontierusa.com

Web: frontierusa.com

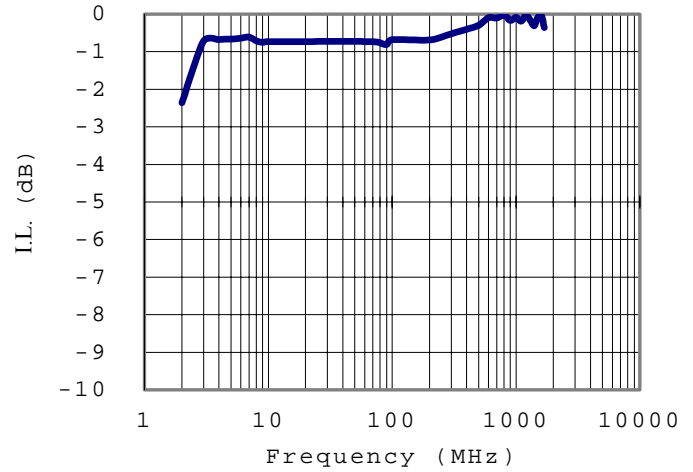
SMD Balun Transformer—SBT201-series

E. Characteristic curve:

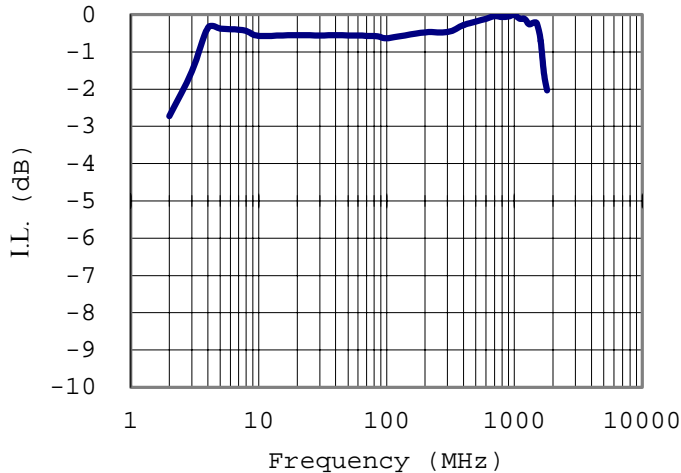
SBT201-02



SBT201-03



SBT201-04



SBT201-05

