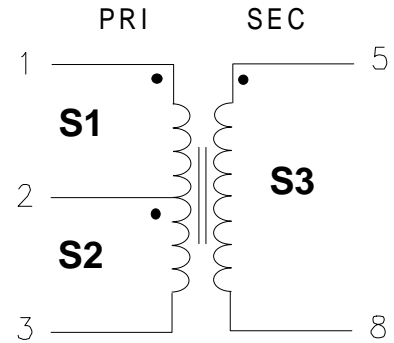


PARAMETER		UNITS
TURNS RATIO    1.3 : 1.3 : 1.0 +2% Pins 1-2 : 2-3 : 5-8		
<sup>1</sup> Inductance	7.3 Min.	mH
<sup>2</sup> Leakage Inductance	7.5 Max.	μH
<sup>3</sup> Interwinding Capacitance	25 Max.	pF
DCR Primary Pins 1-2 or 2-3	1.1 Max.	Ω
DCR Secondary pins 5 -8	0.6 Max.	Ω
Isolation (min) 1,2,3 to 5 & 8	1500 Min.	V <sub>RMS</sub>

# T-13806

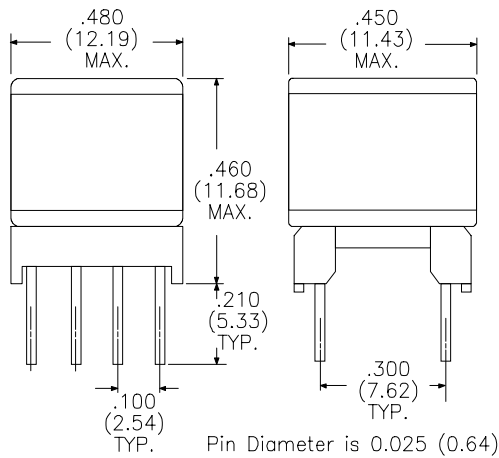
## T1/CEPT INTERFACE TRANSFORMER

Schematic Diagram



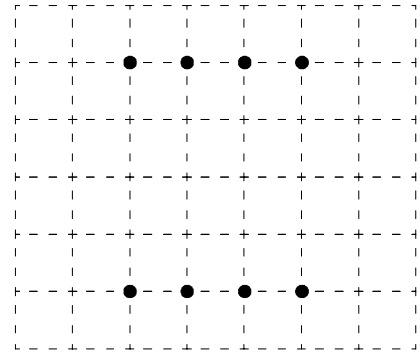
- 1) Tested @ 100 kHz and 100mV  
(Pins 1-3)
- 2) Tested @ 100 kHz and 100 mV  
(Pins 1-3, short 5-8)
- 3) Tested @ 100 kHz and 100 mV  
(Pins 1 & 5 to 3 & 8)

### Physical Dimensions inches (mm)

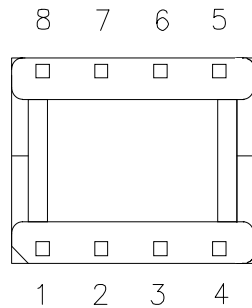


PIN POSITION GRID 0.100 (2.54)

● HOLES FOR BOBBIN PINS



BOTTOM VIEW



1/5/96