

**PLEASE CHECK WWW.MOLEX.COM FOR LATEST PART INFORMATION**

**Part Number:** [0002081201](#)  
**Status:** **Active**  
**Overview:** [disk drive power connector](#)  
**Description:** Disk Drive Power Connection System, Female Crimp Terminal, Reel, Phosphor Bronze, AWG 14-20

**Documents:**

[Drawing \(PDF\)](#) [RoHS Certificate of Compliance \(PDF\)](#)  
[Product Specification PS-8981-4M\\*/4P\\* \(PDF\)](#)

**General**

Product Family	Crimp Terminals
Series	<a href="#">8980</a>
Crimp Quality Equipment	Yes
Overview	<a href="#">disk drive power connector</a>
Product Name	Disk Drive Power

**Physical**

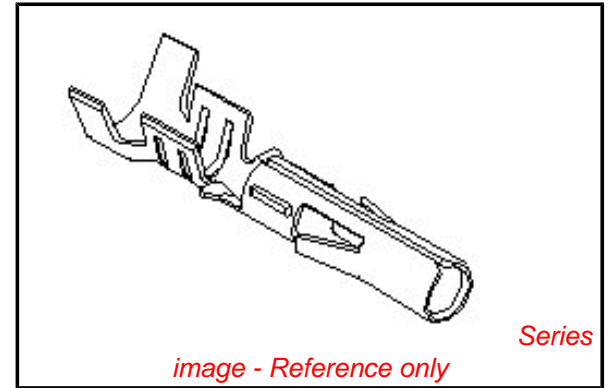
Durability (mating cycles max)	50
Gender	Female
Material - Metal	Phosphor Bronze
Material - Plating Mating	Tin
Material - Plating Termination	Tin
Packaging Type	Reel
Plating min: Mating (µin)	35
Plating min: Mating (µm)	0.89
Plating min: Termination (µin)	35
Plating min: Termination (µm)	0.89
Termination Interface: Style	Crimp or Compression
Wire Insulation Diameter	2.03-2.74mm (.080-.108")
Wire Size AWG	14, 16, 18, 20
Wire Size mm <sup>2</sup>	N/A

**Material Info**

Old Part Number 8980-3C

**Reference - Drawing Numbers**

Product Specification [PS-8981-4M\\*/4P\\*](#)  
 Sales Drawing [SD-8980-3\\*](#)



**EU RoHS**

**ELV and RoHS Compliant**  
**REACH SVHC**  
**Contains SVHC: No**  
**Halogen-Free Status**

**China RoHS**



**Halogen-Free**

**Need more information on product environmental compliance?**

Email [productcompliance@molex.com](mailto:productcompliance@molex.com)  
 For a multiple part number RoHS Certificate of Compliance, [click here](#)

Please visit the [Contact Us](#) section for any non-product compliance questions.

**Search Parts in this Series**

[8980Series](#)

**Use With**

[8981P](#)

**Application Tooling | FAQ**

*Tooling specifications and manuals are found by selecting the products below. Crimp Height Specifications are then contained in the Application Tooling Specification document.*

**Global**

Description	Product #
Mini-Mac™ Applicator for Disk Drive Power Connector System, Female 14-20 AWG	<a href="#">0638929000</a>
Hand Crimp Tool	<a href="#">0638117000</a>
Extraction Tool	<a href="#">0011030037</a>
Terminator Die	<a href="#">0011402282</a>

**Japan**

Description	Product #
-------------	-----------

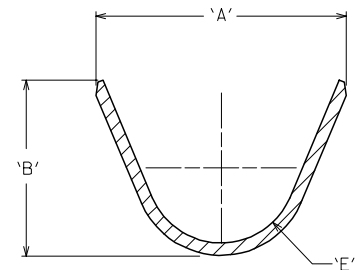
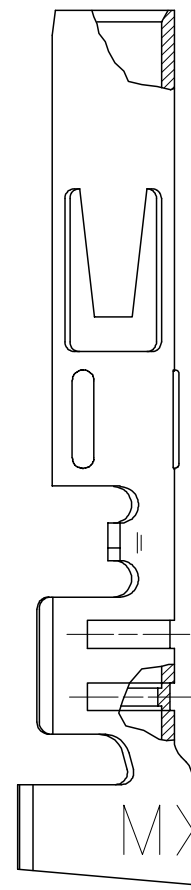
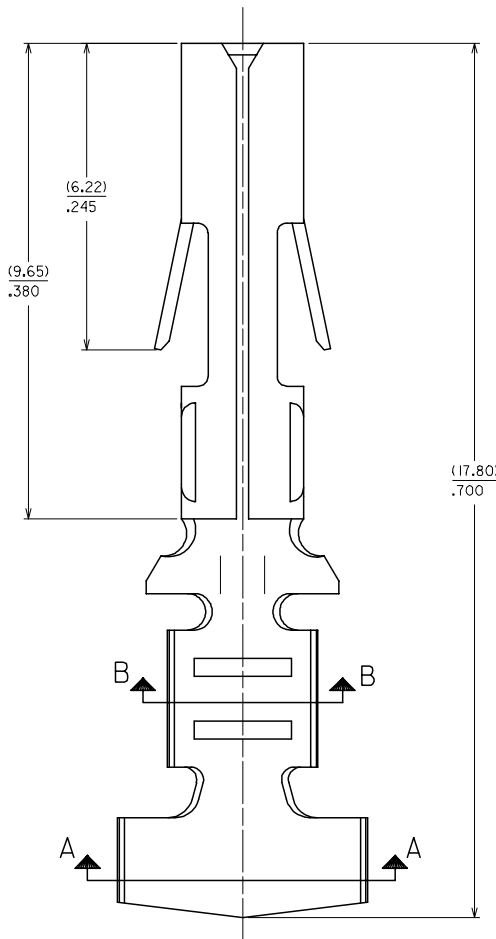
Applicator for M21 1A 0571023000  
Bench Press, 14-22  
AWG, for 8980-3C  
and 8980-3C1 Crimp  
Terminal

This document was generated on 05/17/2010

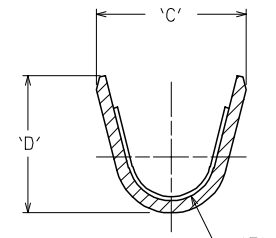
**PLEASE CHECK [WWW.MOLEX.COM](http://WWW.MOLEX.COM) FOR LATEST PART INFORMATION**

EDP NO.	ENG NO.	FORM	'A'	'B'	'C'	'D'	'E'	'F'
02-08-1201	8980-3C	CHAIN,14-20 AWG WIRE	(4.44)	(3.39)	(3.02)	(3.61)	(1.23)	(0.61)
02-08-1202	8980-3L	LOOSE,14-20 AWG WIRE	.175	.133	.119	.142	.048	.024

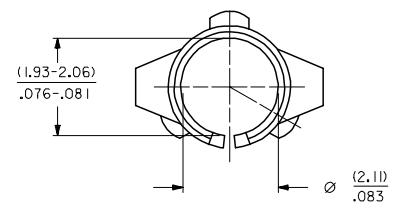
- NOTES:  
 1. FINISH: (.00089)/.000035 MN. TIN OVER  
 (.00051)/.000020 MIN COPPER (COPPER PLATE REFLOWED)  
 2. MATERIAL: (.025)/.010 THK PHOS  
 BRONZE, ALLOY CA 51000.



SECTION A-A



SECTION B-B



REV	DESCRIPTION
0	

QUALITY SYMBOLS  
 ▽=0  
 ▽=0

OBS060702  
 EC NO: S2007-0797  
 DRWN:GEMARLY 2007/03/30  
 CHKD:SKANG 2007/04/03  
 APPR:MLONG 2007/04/03

GENERAL TOLERANCES (UNLESS SPECIFIED)	
mm	INCH
4 PLACES ± .---	± .---
3 PLACES ± .---	± .010
2 PLACES ± 0.25	± .---
1 PLACE ± .---	± .---
ANGULAR ± 1 °	

DRAFT WHERE APPLICABLE  
 MUST REMAIN WITHIN DIMENSIONS

DIMENSION STYLE	
MM	IN
DRAWN BY TAY	DATE 1987/12/15
CHECKED BY AT	DATE 1987/12/15
APPROVED BY AB	DATE 1987/12/15
MATERIAL NO.	
SIZE A3	

SCALE	DESIGN UNITS	THIRD ANGLE PROJECTION
NTS	METRIC	
TITLE		
TERMINAL SOCKET DIA. (2.096)/.0825		
MOLEX INCORPORATED		
DOCUMENT NO. SD-8980-3*		SHEET NO. 1 OF 1