

PLEASE CHECK WWW.MOLEX.COM FOR LATEST PART INFORMATION

Part Number: [0015311036](#)
Status: **Active**
Overview: [standard_093](#)
Description: 2.36mm (.093") Diameter Standard .093" Pin and Socket Header, Vertical, with Beveled Plastic Peg, 3 Circuits

Documents:

[3D Model](#) [Product Specification PS-3191-003 \(PDF\)](#)
[Drawing \(PDF\)](#) [RoHS Certificate of Compliance \(PDF\)](#)

Agency Certification

CSA	LR19980
TUV	R72081037
UL	E29179

General

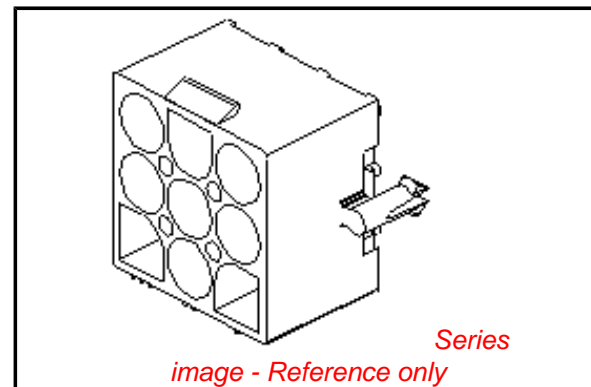
Product Family	PCB Headers
Series	5219
Application	Wire-to-Board
Overview	standard_093
Product Name	Standard .093"

Physical

Breakaway	No
Circuits (Loaded)	3
Circuits (maximum)	3
Color - Resin	Natural
Durability (mating cycles max)	30
First Mate / Last Break	No
Flammability	94V-2
Glow-Wire Compliant	No
Guide to Mating Part	No
Keying to Mating Part	None
Lock to Mating Part	Yes
Material - Plating Mating	Tin
Material - Plating Termination	Tin
Material - Resin	Nylon
Number of Rows	1
Orientation	Vertical
PCB Locator	Yes
PCB Retention	Yes
PCB Thickness Recommended (in)	0.062 In
PCB Thickness Recommended (mm)	1.60 mm
Packaging Type	Bag
Pitch - Mating Interface (in)	0.264 In
Pitch - Mating Interface (mm)	6.71 mm
Polarized to PCB	Yes
Shrouded	Fully
Stackable	No
Surface Mount Compatible (SMC)	No
Temperature Range - Operating	-40°C to +105°C
Termination Interface: Style	Through Hole

Electrical

Current - Maximum per Contact	11A
Voltage - Maximum	600V



EU RoHS

ELV and RoHS Compliant
REACH SVHC
 Not Reviewed
Halogen-Free Status
 Not Reviewed

China RoHS



Need more information on product environmental compliance?

Email productcompliance@molex.com
 For a multiple part number RoHS Certificate of Compliance, [click here](#)

Please visit the [Contact Us](#) section for any non-product compliance questions.

Search Parts in this Series

[5219Series](#)

Mates With

[3191 Pin and Socket Receptacle Housing](#)

Material Info

Old Part Number

5219-03A

Reference - Drawing Numbers

Packaging Specification

SPK-5219-001

Product Specification

PS-3191-003, RPS-3191-002

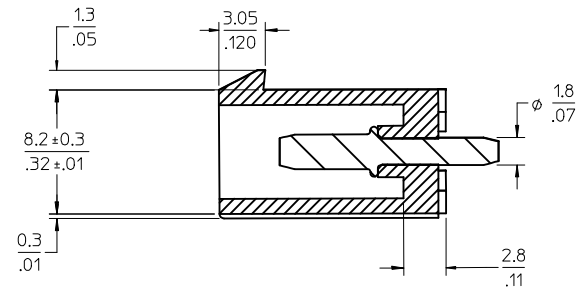
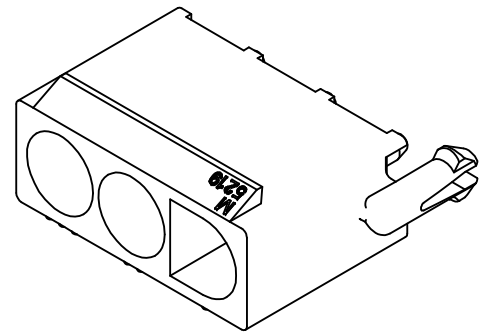
Sales Drawing

SD-5219-03A-*

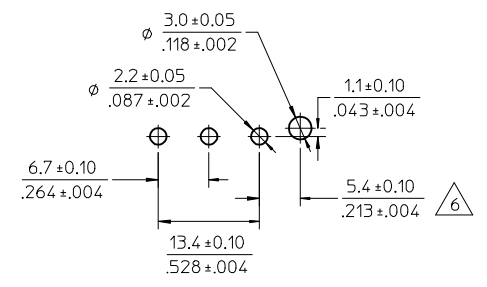
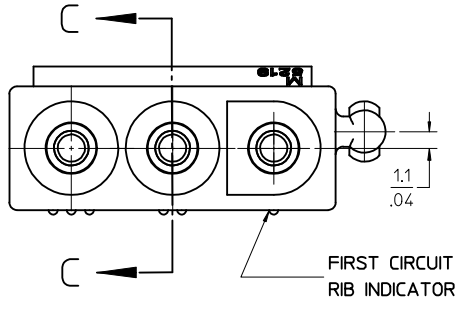
This document was generated on 05/24/2010

PLEASE CHECK WWW.MOLEX.COM FOR LATEST PART INFORMATION

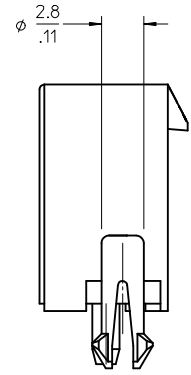
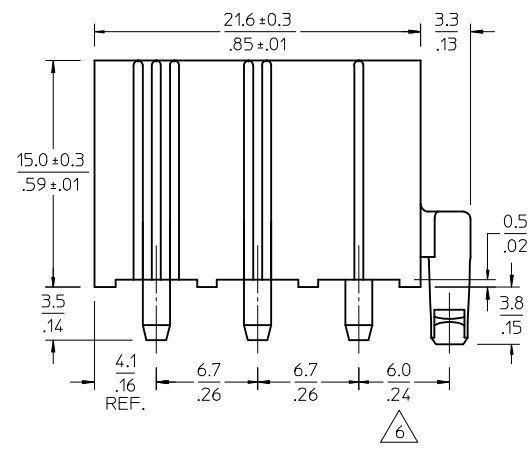
CIRCUITS	EDP NO.	ENG. NO.
3	39287038	5219-03A-201
	15311036	5219-03A



SECTION C-C

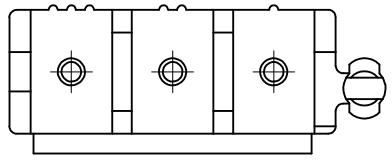


RECOMMENDED P.C. BOARD HOLE DIM. SCALE 2:1



NOTES:

- MATERIAL:
HOUSING: "BLANK" = NYLON 6/6, UL94V-2, COLOR: NATURAL
"201" = NYLON 6/6, UL94V-0, COLOR: NATURAL
TERMINAL: C2700W BRASS
- FINISH: 0.000003/(.0000001) MIN. TIN OVERALL OVER
0.000001/(.00000004) MIN. NICKEL OVERALL
- PRODUCT SPECIFICATION: PS-3191-003
- PACKAGING: NONE
- MATES WITH: 3191-03R SERIES
- DIFFERENCE OF DIMENSION TO PREVENT RISE FROM P.C.B.
- PARTS CONFORM TO CLASS 'B' REQUIREMENTS OF COSMETIC SPECIFICATION PS-45499-002.



REMOVED DIMENSION EC NO: UCP2009-2076 DRWN:TRBENES 2009/02/24 CHKD:AELHAG 2009/03/13 APPR:FSMITH 2009/04/15	QUALITY SYMBOLS ▽=0 ▽=0	GENERAL TOLERANCES (UNLESS SPECIFIED)		DIMENSION STYLE	SCALE	DESIGN UNITS	THIRD ANGLE PROJECTION	
		mm	INCH	MM/IN	4:1	METRIC		
		4 PLACES ± --- ± ---		DRAWN BY	DATE	TITLE		
		3 PLACES ± --- ± .005		TASAKAWA	1995/11/18	NEW INTERNATIONAL CONN. HEADER AND ASSY.		
2 PLACES ± 0.13 ± .010		CHECKED BY	DATE	MOLEX INCORPORATED				
1 PLACE ± 0.25 ± ---		HIRAMOT	1995/11/18					
ANGULAR ±1/2°		APPROVED BY	DATE	DOCUMENT NO. SD-5219-03A-*				
		FUKUSHIM	1995/11/18					
DRAFT WHERE APPLICABLE MUST REMAIN WITHIN DIMENSIONS		MATERIAL NO.		SHEET NO. 1 OF 1				
		SEE CHART		THIS DRAWING CONTAINS INFORMATION THAT IS PROPRIETARY TO MOLEX INCORPORATED AND SHOULD NOT BE USED WITHOUT WRITTEN PERMISSION				