

PLEASE CHECK WWW.MOLEX.COM FOR LATEST PART INFORMATION

Part Number: [0015311096](#)
Status: **Active**
Description: 2.36mm (.093") Diameter Standard .093" Pin and Socket Header, Vertical, with Beveled Plastic Peg, 9 Circuits

Documents:

[3D Model](#) [RoHS Certificate of Compliance \(PDF\)](#)
[Drawing \(PDF\)](#)

Agency Certification

UL E29179

General

Product Family PCB Headers
 Series [5219](#)
 Application Wire-to-Board
 Product Name Standard .093"

Physical

Breakaway No
 Circuits (Loaded) 9
 Circuits (maximum) 9
 Color - Resin Natural
 Durability (mating cycles max) 30
 Flammability 94V-2
 Glow-Wire Compliant No
 Material - Plating Mating Tin
 Material - Plating Termination Tin
 Material - Resin Nylon
 Number of Rows 3
 Orientation Vertical
 PCB Locator Yes
 PCB Retention Yes
 PCB Thickness Recommended (in) 0.062 In
 PCB Thickness Recommended (mm) 1.60 mm
 Packaging Type Bag
 Pitch - Mating Interface (in) 0.264 In
 Pitch - Mating Interface (mm) 6.71 mm
 Polarized to PCB Yes
 Shrouded Fully
 Stackable No
 Surface Mount Compatible (SMC) No
 Temperature Range - Operating -40°C to +105°C
 Termination Interface: Style Through Hole

Electrical

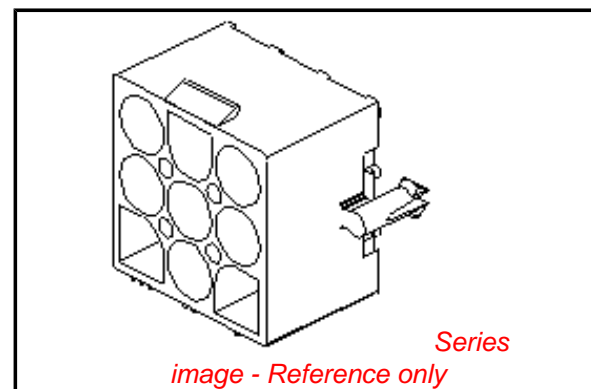
Current - Maximum per Contact 9A
 Voltage - Maximum 600V

Solder Process Data

Duration at Max. Process Temperature (seconds) 5
 Lead-free Process Capability Wave Capable (TH only)
 Max. Cycles at Max. Process Temperature 1
 Process Temperature max. C 235

Material Info

Old Part Number A521909B



EU RoHS

ELV and RoHS Compliant
REACH SVHC
 Not Reviewed
Halogen-Free Status

China RoHS



Not Reviewed

Need more information on product environmental compliance?

Email productcompliance@molex.com
 For a multiple part number RoHS Certificate of Compliance, [click here](#)

Please visit the [Contact Us](#) section for any non-product compliance questions.

Search Parts in this Series

[5219Series](#)

Mates With

[3191r](#)

Reference - Drawing Numbers

Sales Drawing

SDA-5219-09**

This document was generated on 04/20/2010

PLEASE CHECK WWW.MOLEX.COM FOR LATEST PART INFORMATION

ENG. NO.	ORDER NO.	PIN PLATING	HSG. MATERIAL
A-5219-09B	I5-31-1096	TIN	94V-2 NYLON
A-5219-09B-201	PRELIMINARY	TIN	94V-0 NYLON
A-5219-09BG	PRELIMINARY	GOLD	94V-2 NYLON
A-5219-09BG-201	PRELIMINARY	GOLD	94V-0 NYLON

HOUSING MATERIAL:


- 1 - NYLON TYPE 66, 94V-2, NATURAL
- 2 - NYLON TYPE 66, 94V-0, NATURAL

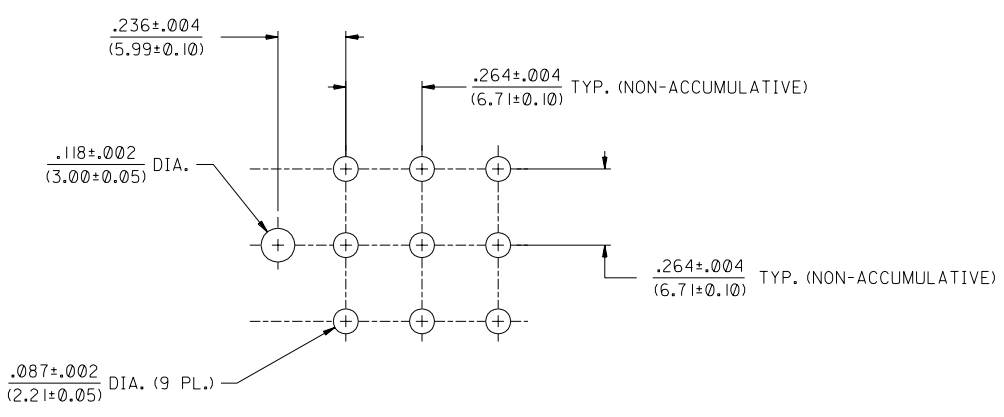
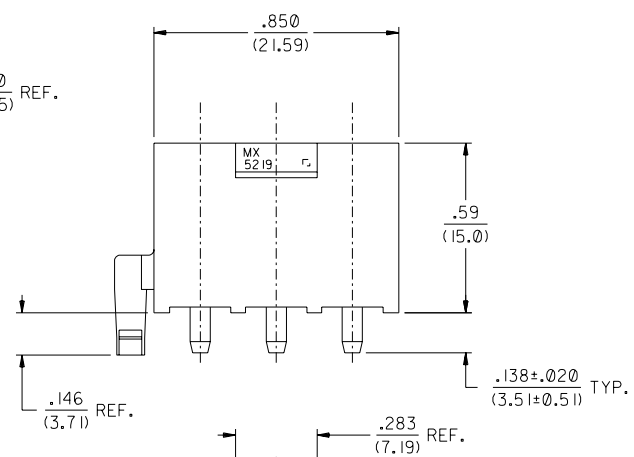
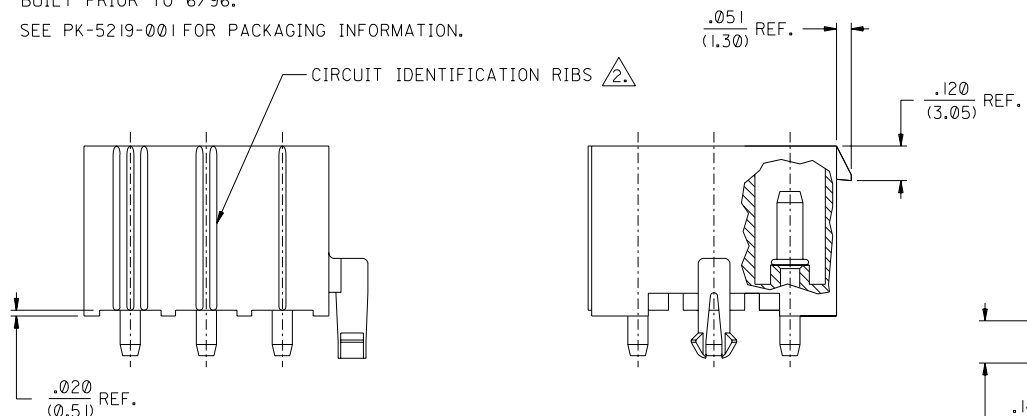
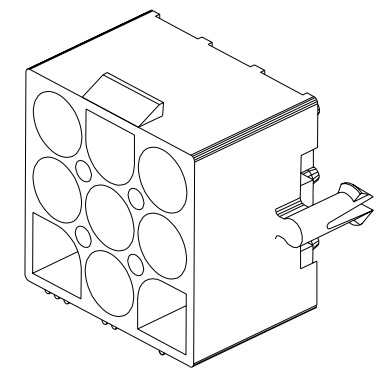
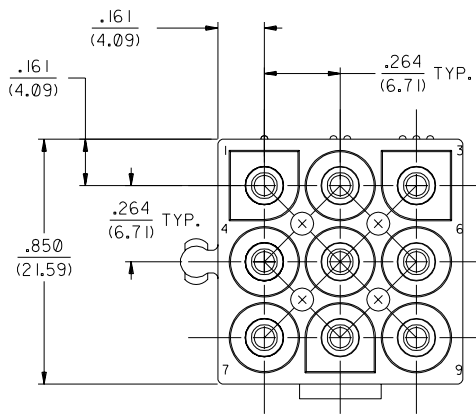
PIN MATERIAL: C27000 BRASS

PIN PLATING:

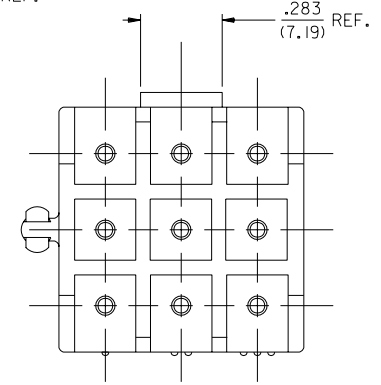
- 1 - POST PLATE .000120/(0.00305) MIN. TIN OVER .000040/(0.0010) MIN. NICKEL
- 2 - POST PLATE .000014/(0.00035) MIN. GOLD OVER .000080/(0.00200) MIN. NICKEL

NOTES:

1. THESE HEADERS ARE FOR USE ON .062/(1.57) THICK P.C. BOARDS AND MATE WITH 3191-9 SERIES RECEPTACLES.
2.  CIRCUIT I.D. RIBS NOT PRESENT ON PARTS FROM TOOLS BUILT PRIOR TO 6/96.
3. SEE PK-5219-001 FOR PACKAGING INFORMATION.



RECOMMENDED P.C. BOARD LAYOUT



CI	ADD PACK'G (NOTE 3) UCP2003-2012 03/25/2003 ELHAG
C	REDRAWN ON CAD PER ECN #161470 05/23/96 CM

DIMENSIONS SHOWN (METRIC) INCH		▽ = 0		◻ = 0		REVISE ONLY ON CAD SYSTEM	
UNLESS OTHERWISE SPECIFIED TOLERANCES: ANGULAR ± 1/2°							
		INCH		METRIC			
3 PLACE	± .010	---		---			
2 PLACE	± .014	± 0.25		---			
1 PLACE	---	± 0.35		---			
DRAFT WHERE APPLICABLE MUST REMAIN WITHIN DIMENSIONS							
DRWG. BY	CM	CHK'D. BY	RW	FILE NAME	SDP199	SHEET NO.	DATE
APPR'D. BY	RAS	SCALE	3 : 1	DRW. NO.	SEE CHART	U.S.A.	1 OF 1
				PART NO.		DRWG. NO.	
				SDA-5219-09		05/23/96	
THIS DRAWING CONTAINS INFORMATION THAT IS PROPRIETARY TO MOLEX INC. AND SHOULD NOT BE USED WITHOUT WRITTEN PERMISSION.							