

PLEASE CHECK WWW.MOLEX.COM FOR LATEST PART INFORMATION

Part Number: [0039000341](#)
Status: **Active**
Overview: [standard_062](#)
Description: 1.57mm (.062") Diameter, Standard .062" Pin and Socket Crimp Terminal, 3.68mm (.145") Pitch, Female, Gold (Au) Plated Brass Contact, 22-28 AWG, Bag

Documents:

[Drawing \(PDF\)](#) [RoHS Certificate of Compliance \(PDF\)](#)
[Product Specification PS-1855-001 \(PDF\)](#)

General

Product Family	Crimp Terminals
Series	1855
Crimp Quality Equipment	Yes
Overview	standard_062
Product Name	Standard .062"

Physical

Durability (mating cycles max)	30
Gender	Receptacle
Material - Metal	Brass
Material - Plating Mating	Gold
Material - Plating Termination	Gold
Packaging Type	Bag
Plating min: Mating (µin)	14
Plating min: Mating (µm)	0.35
Plating min: Termination (µin)	14
Plating min: Termination (µm)	0.35
Termination Interface: Style	Crimp or Compression
Wire Insulation Diameter	1.10-1.50mm (.043-.059")
Wire Size AWG	22, 24, 26, 28
Wire Size mm ²	0.08-0.32

Electrical

Current - Maximum per Contact	3A
Voltage - Maximum	250V

Material Info

Old Part Number	1855GL
-----------------	--------

Reference - Drawing Numbers

Product Specification	PS-1855-001
Sales Drawing	SD-1855*

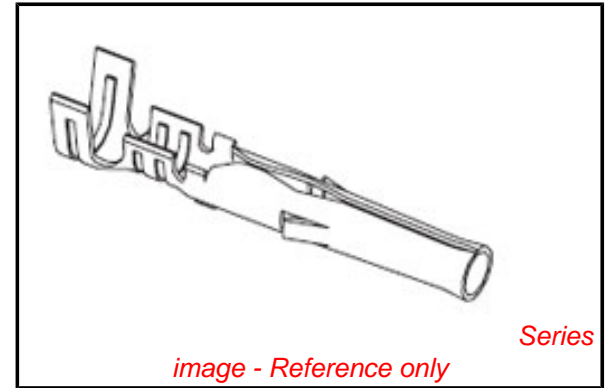


image - Reference only

EU RoHS

**ELV and RoHS
Compliant**
REACH SVHC
 Not Reviewed
**Halogen-Free
Status**

China RoHS



Not Reviewed

**Need more information on product
environmental compliance?**

Email productcompliance@molex.com
 For a multiple part number RoHS Certificate of Compliance, [click here](#)

Please visit the [Contact Us](#) section for any non-product compliance questions.

Search Parts in this Series

[1855Series](#)

Mates With

[1854 Crimp Terminal](#)

Use With

[1625nr Receptacle Housing](#), [1625np Plug Housing](#)

Application Tooling | FAQ

Tooling specifications and manuals are found by selecting the products below. Crimp Height Specifications are then contained in the Application Tooling Specification document.

Global

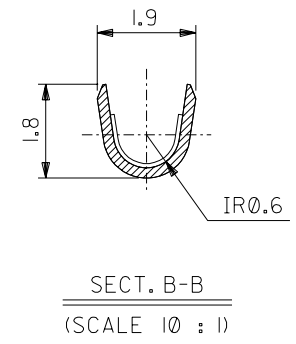
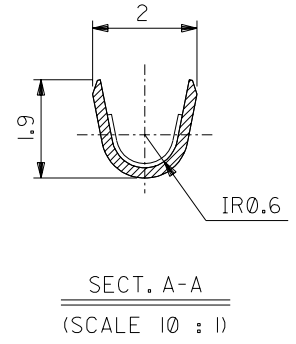
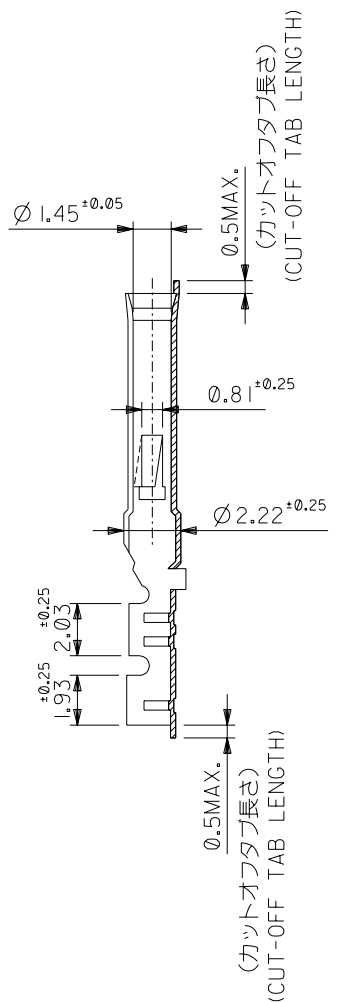
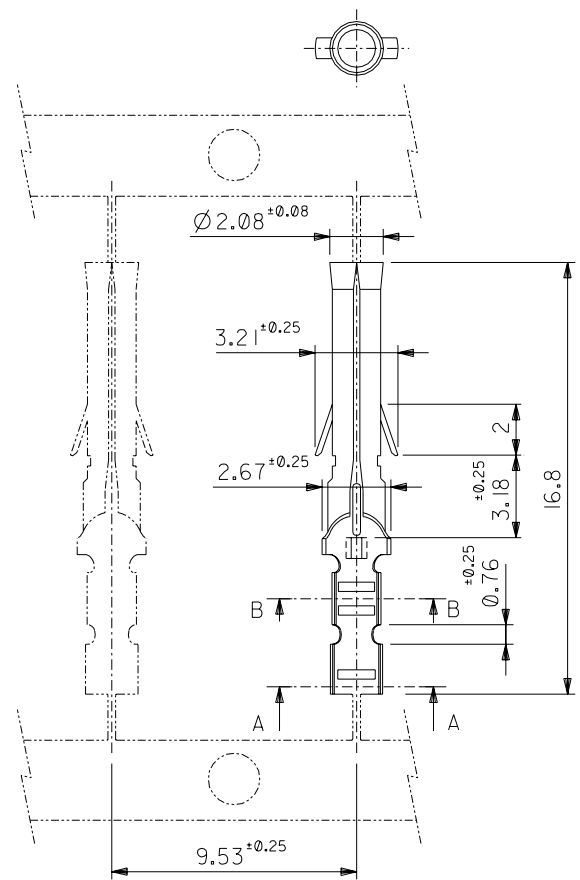
Description	Product #
Hand Crimp Tool	0638190800
Manual Extraction Tool	0011030002

Japan

Description	Product #
-------------	-----------

This document was generated on 05/19/2010

PLEASE CHECK WWW.MOLEX.COM FOR LATEST PART INFORMATION



注記 NOTES:
 1. 一般公差 : ± 0.4
 GENERAL TOLERANCES: ± 0.4

ニッケル (2 μm MIN.) 下地 金 (0.35 μm MIN.) GOLD (0.35 μm MIN.) OVER NICKEL (2 μm MIN.)	39-00-0341	1855GL	バラ端子 LOOSE
銅 (0.5 μm MIN.) 下地 錫 (0.9 μm MIN.) TIN (0.9 μm MIN.) OVER COPPER (0.5 μm MIN.)	39-00-0339	1855TL	バラ端子 LOOSE
メッキ PLATING	39-00-0338	1855T	連鎖状端子 CHAIN
	EDP.NO.	ENG.NO.	形状 FORM

材料 MATERIAL 黄銅 BRASS	0.2 t	molex MOLEX-JAPAN CO.,LTD. 日本モレックス株式会社
仕上げ FINISH	—	
適用電線範囲 WIRE RANGE	AWG#22-#28	REVISE ONLY ON CAD SYSTEM
被覆外径 INS. RANGE	$\varnothing 1.1 \sim 1.5$	TITLE 名称 .062 DIA. CRIMP FEMALE TERMINAL
DRAWN BY '93/07/09 H.HASEGAWA	CHK'D BY '93/07/09 H.HIRAMOTO	DWG. NO.
APP'D BY '93/07/09 M.FUKUSHIMA	尺度 SCALE	5 : 1
記号 LTR	変更内容 REVISION RECORD	DR. CHK.
	日付 DATE	REV

角度 ANGLE	± 30
30 以上 OVER	± 0.3
10 以上 30 未満 OVER UNDER	± 0.25
10 未満 UNDER	± 0.2
一般公差 GENERAL TOLERANCES	