

PLEASE CHECK WWW.MOLEX.COM FOR LATEST PART INFORMATION

Part Number: [0039000342](#)
Status: **Active**
Overview: [kk](#)
Description: 3.96mm (.156") Pitch KK® Crimp Terminal 2478, 18-24 AWG, Bag, Brass, 0.9µm (35µ") Pre-Plated Tin (Sn)

Documents:

[Drawing \(PDF\)](#) [RoHS Certificate of Compliance \(PDF\)](#)

General

Product Family	Crimp Terminals
Series	2478
Crimp Quality Equipment	Yes
Overview	kk
Product Name	KK®

Physical

Durability (mating cycles max)	25
Gender	Female
Material - Metal	Brass
Material - Plating Mating	Tin
Material - Plating Termination	Tin
Packaging Type	Bag
Plating min: Mating (µin)	35
Plating min: Mating (µm)	0.90
Plating min: Termination (µin)	35
Plating min: Termination (µm)	0.88
Termination Interface: Style	Crimp or Compression
Wire Insulation Diameter	1.30-2.50mm (.051-.098")
Wire Size AWG	18, 24
Wire Size mm²	0.21 TO 0.82

Material Info

Old Part Number	2478-TL
-----------------	---------

Reference - Drawing Numbers

Sales Drawing	SD-2478*
---------------	----------

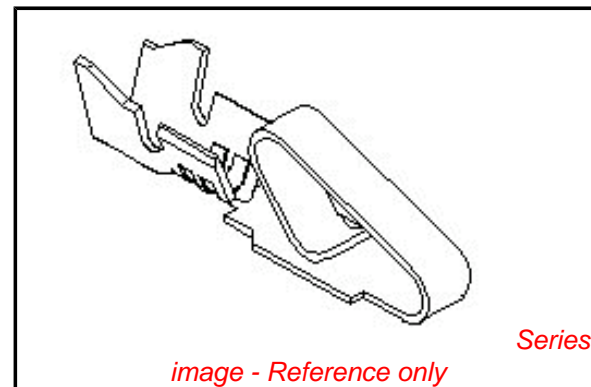


image - Reference only

EU RoHS

**ELV and RoHS
Compliant**
**REACH SVHC
Contains SVHC: No**
**Halogen-Free
Status**

China RoHS



**Need more information on product
environmental compliance?**

Email productcompliance@molex.com
 For a multiple part number RoHS Certificate of Compliance, [click here](#)

Please visit the [Contact Us](#) section for any non-product compliance questions.

Search Parts in this Series

[2478Series](#)

Use With

2574 , 2139 , 41695

Application Tooling | FAQ

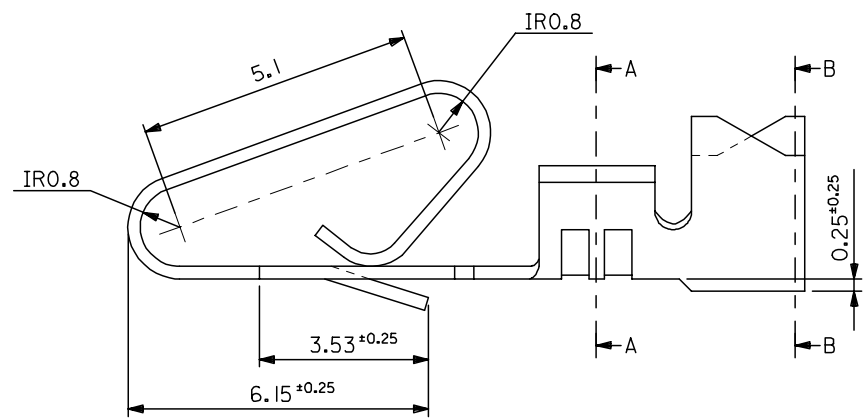
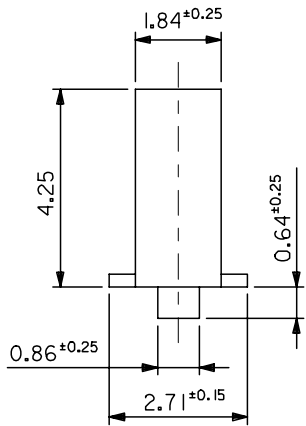
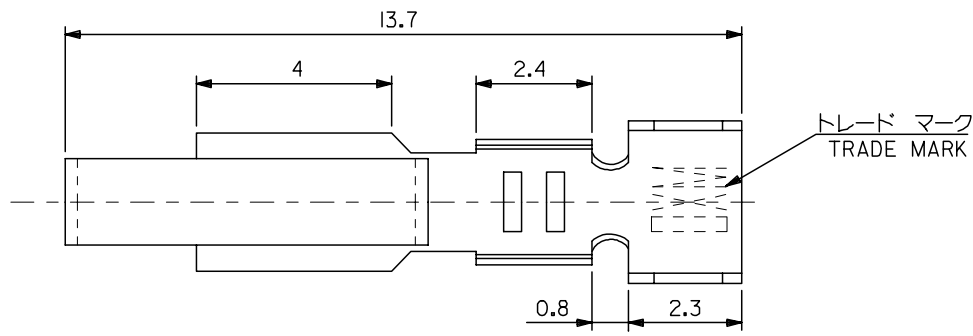
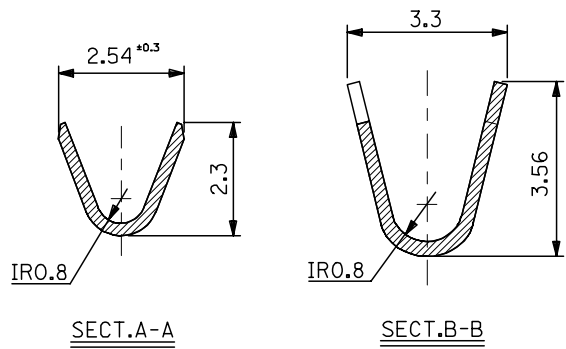
Tooling specifications and manuals are found by selecting the products below. Crimp Height Specifications are then contained in the Application Tooling Specification document.

Global

Description	Product #
Extraction Tool	0011030016

10 9 8 7 6 5 4 3 2 1

F
E
D
C
B
A



注記 NOTES :
1. 一般公差: ±0.4
GENERAL TOLERANCES: ±0.4

GOLD 0.35μmin OVER NICKEL 24μmin	39000342	2478TL	LOOSE
	39000286	2478T	CHAIN
ニッケル下地 2 μmMIN. 金 0.35 μmMIN.	39-00-0344	2478GL	バラ状 LOOSE
GOLD 0.35 μmMIN. OVER NICKEL 2 μmMIN.	39-00-0343	2478G	チェーン状 CHAIN
メッキ PLATING	EDP NO.	ENG.NO.	形状 FORM

MATERIAL
BRASS t = 0.254

ENTER DESCRIPTION	REV	DESCRIPTION
EC NO: I2007-0519 2007/07/09 DRWN: JIYER CHKD: DKUMAR APPR: DKUMAR 2007/07/11 2007/07/18		

QUALITY SYMBOLS	▽=0
	▽C=0

GENERAL TOLERANCES (UNLESS SPECIFIED)	
mm	INCH
4 PLACES ± 0.2	± ---
3 PLACES ± 0.25	± ---
2 PLACES ± 0.3	± ---
1 PLACE ± 0.01	± ---
ANGULAR ± 3°	

DIMENSION STYLE	
MM ONLY	
DRAWN BY	DATE
HHASEGAW	1993/04/23
CHECKED BY	DATE
HHIRAMOT	1996/01/30
APPROVED BY	DATE
MFUKUSHI	1996/01/30
MATERIAL NO.	
SEE CHART	

SCALE	DESIGN UNITS	THIRD ANGLE PROJECTION	
10:1	METRIC	◎ □	
STD KK CRIMP REC			
MOLEX INCORPORATED		SHEET NO.	
SD-2478*		1 OF 1	
THIS DRAWING CONTAINS INFORMATION THAT IS PROPRIETARY TO MOLEX INCORPORATED AND SHOULD NOT BE USED WITHOUT WRITTEN PERMISSION			

9 8 7 6 5 4 3 2 1