

PLEASE CHECK WWW.MOLEX.COM FOR LATEST PART INFORMATION

Part Number: [0089002022](#)
Status: **Active**
Description: Mounting Clip 100

Documents:
[Drawing \(PDF\)](#)

[RoHS Certificate of Compliance \(PDF\)](#)

General

Product Family	Accessories
Series	2589
Comments	Clip selection is based on clip type and tab angle. See sales drawing or contact Molex for explanation of clip differences
Component Type	Clip
Product Name	Range Receptacle

Physical

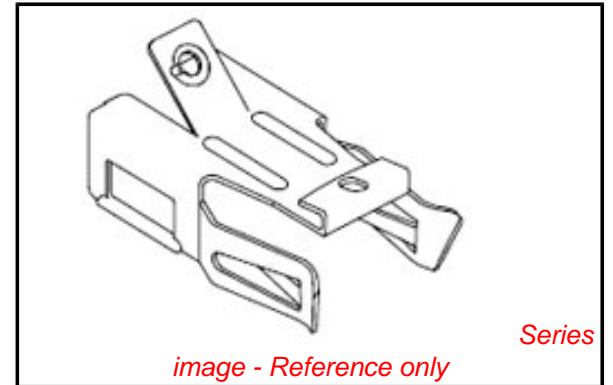
Circuits (Loaded)	N/A
Gender	N/A
Lock to Mating Part	Yes
Packaging Type	Bag

Material Info

Old Part Number	2589-02C
-----------------	----------

Reference - Drawing Numbers

Sales Drawing	SD-2589-*
---------------	-----------



EU RoHS

ELV and RoHS Compliant
REACH SVHC
Contains SVHC: No
Halogen-Free
Status
Not Reviewed

China RoHS



Need more information on product environmental compliance?

Email productcompliance@molex.com
 For a multiple part number RoHS Certificate of Compliance, [click here](#)

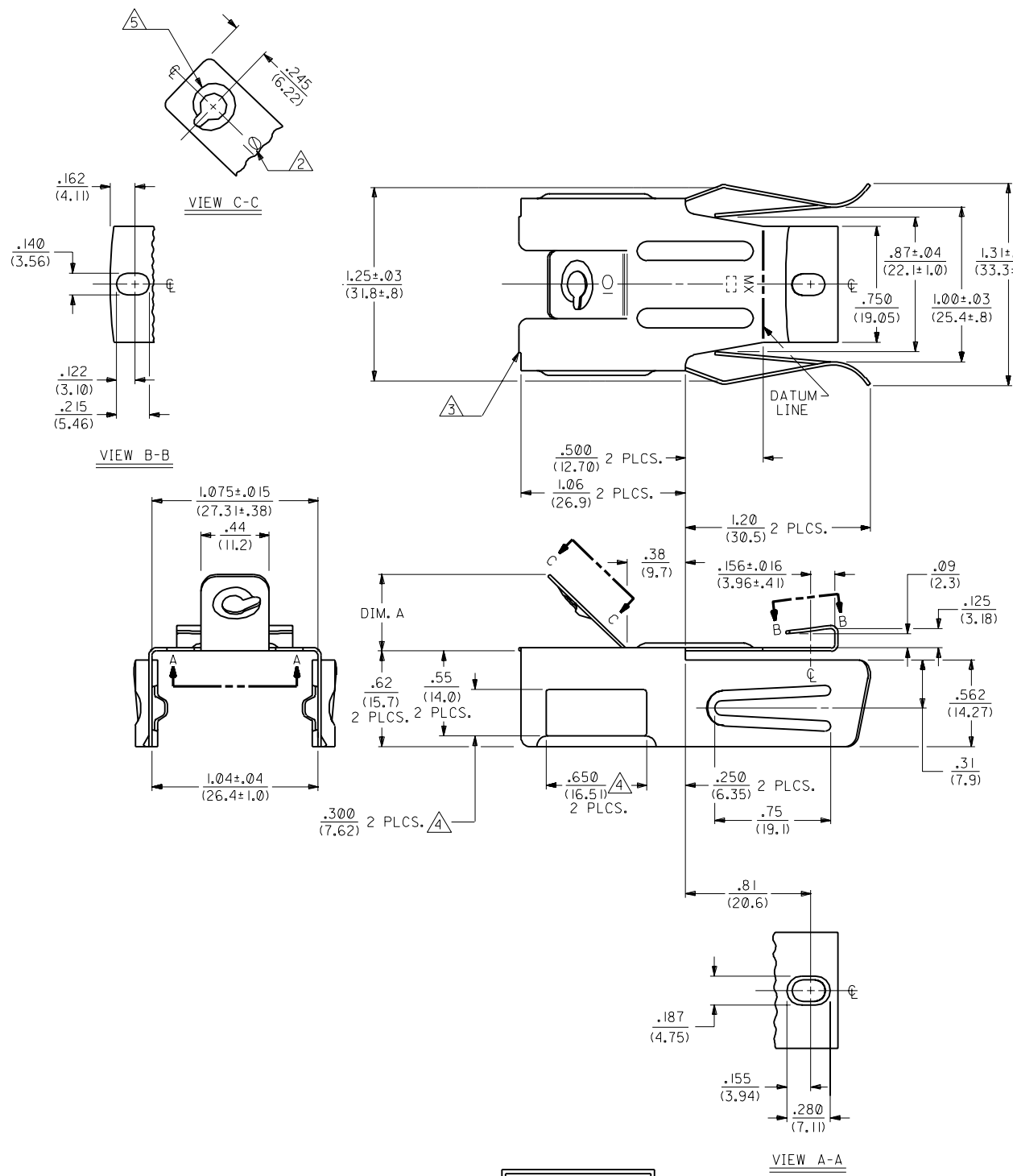
Please visit the [Contact Us](#) section for any non-product compliance questions.

Search Parts in this Series
[2589Series](#)

Use With
[2481 Phenolic Range Receptacle Housing](#)

NOTES:

- 1. THESE MOUNTING CLIPS ARE FOR HOLDING THE 2481 SERIES HOUSINGS TO THE MAIN PANEL TOPS OF ELECTRIC RANGES.
- △ SCREW SIZE INDICATION.
- △ .015/(.38) MAXIMUM CUT OFF.
- △ .010/(.25) MAXIMUM MISMATCH.
- △ THREAD FORM FOR A #10-32 SCREW.
- △ THIS SURFACE MAY BE FORMED IN THIS DIRECTION A MAXIMUM OF 5°.



2589-ID-10

MATERIAL:

STEEL, STAINLESS, TYPE 301, .020/(.5) THICK.

AC	OBSOLETED P/N UCR2002-0255 01/9/12 COMERCI
AB2	REMOVED NOTCH UCR2000-0104 8/11/99 COMERCI
AB1	REV. RADII UCR2000-0086 8/05/99 COMERCI
AB	REVISED UCR 1999-0818 6/03/99 ELHAG
AA	REVISED ECN U4 0744 6/16/94 RHR
Z	REVISED ECN U4 0213 2/14/94 RHR
Y	REVISED ECN U3 0739 5/13/93 RHR
X	REDRAWN & REDIM. ECN U2 1712 11/25/92 RHR

3	AB
2	Z
1	AC

DIMENSIONS SHOWN (METRIC) INCH
UNLESS OTHERWISE SPECIFIED
TOLERANCES ANGULAR ± DBC 5°

3 PLACE ± .010	---
2 PLACE ± .014	± 0.25
1 PLACE ---	± 0.35

DRAFT WHERE APPLICABLE MUST REMAIN WITHIN DIMENSIONS

DRWG. BY: RHR CHK'D. BY: ESS
APP'D. BY: RAS SCALE: 2: 1

FILE NAME: SD2589X1.DWG
MOLX INC. AND SHOULD NOT BE USED WITHOUT WRITTEN PERMISSION

PART NO. SD-2589-1
DRWG. NO. 1 of 3
DATE: 11/20/92
SHEET NO. 1 of 3
U.S.A.

MOLEX INCORPORATED
1151E, ILL. 60532 U.S.A.

SEE SHEET 3 SD-2589-*

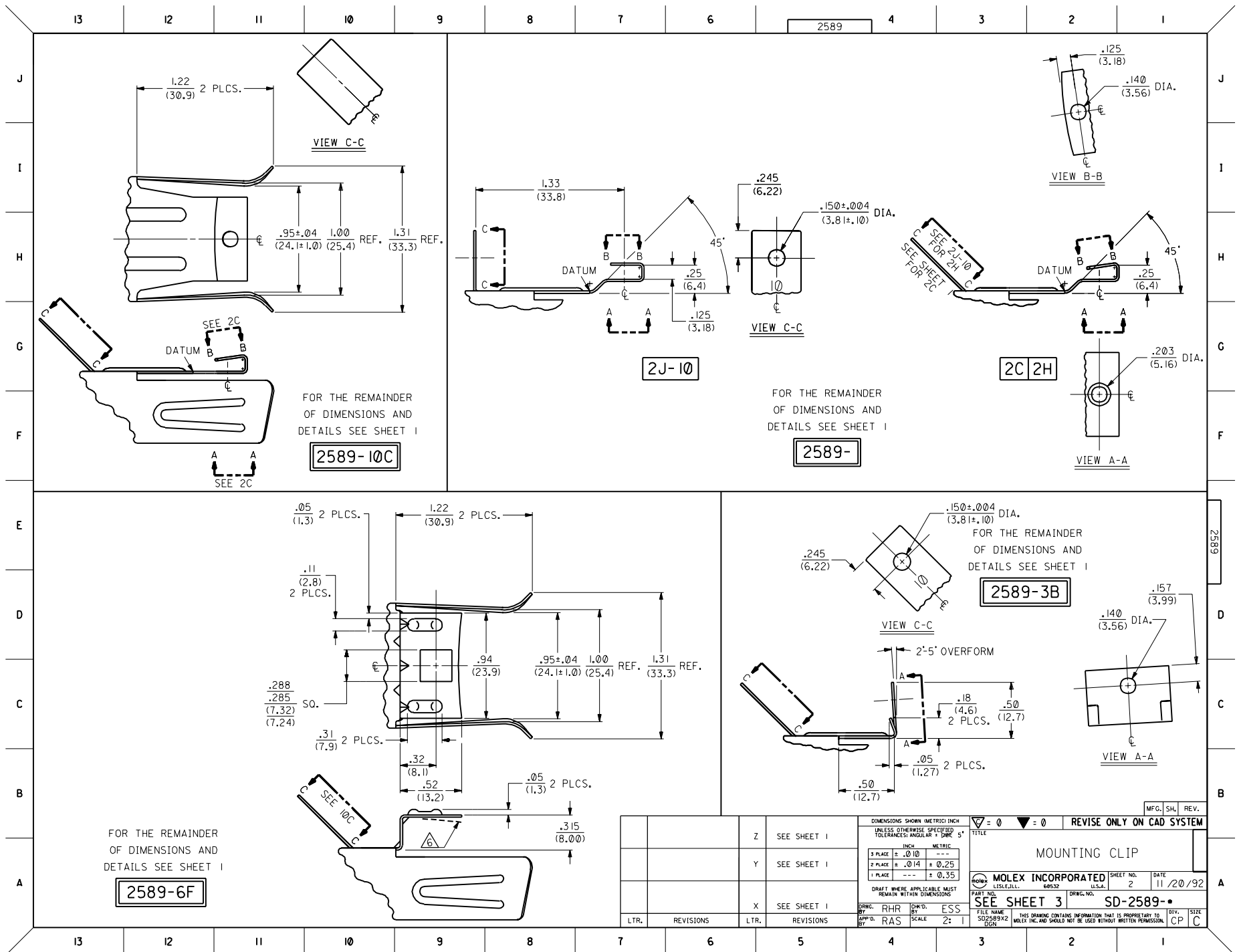
REVISIONS

MFG. SH. REV. LTR. REVISIONS

REVISE ONLY ON CAD SYSTEM

TITLE: MOUNTING CLIP

NO P.S.



FOR THE REMAINDER
OF DIMENSIONS AND
DETAILS SEE SHEET I

2589-10C

2J-10

FOR THE REMAINDER
OF DIMENSIONS AND
DETAILS SEE SHEET I

2589-

2C 2H

FOR THE REMAINDER
OF DIMENSIONS AND
DETAILS SEE SHEET I

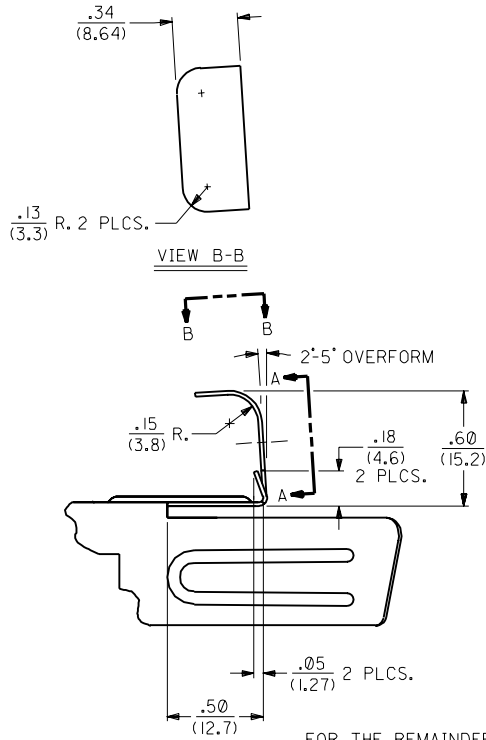
2589-3B

FOR THE REMAINDER
OF DIMENSIONS AND
DETAILS SEE SHEET I

2589-6F

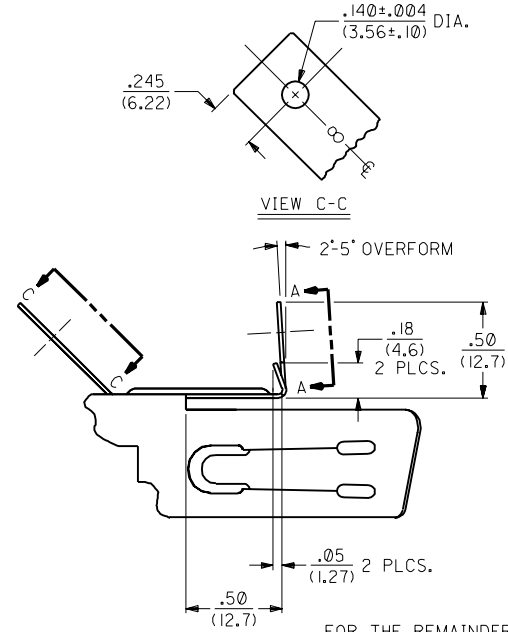
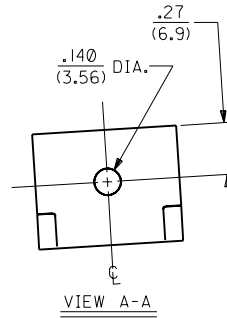
DIMENSIONS SHOWN METRIC INCH UNLESS OTHERWISE SPECIFIED TOLERANCES: ANGULAR ± .05°		▽ = 0 ▼ = 0		REVISE ONLY ON CAD SYSTEM	
INCH		METRIC		TITLE	
3 PLACE	± .010	---		MOUNTING CLIP	
2 PLACE	± .014	± 0.25		MOLEX INCORPORATED	
1 PLACE	---	± 0.35		LITTLE, JILL	
DRAFT WHERE APPLICABLE MUST REMAIN WITHIN DIMENSIONS		FILE NAME		SHEET NO. 2	
DRWG. BY: RHR	CHK'D. BY: ESS	SD2589X2		DATE 11/20/92	
APP'D. BY: RAS	SCALE 2:1	DGN		PART NO. SD-2589-6	
LTR. REVISIONS	LTR. REVISIONS	THIS DRAWING CONTAINS INFORMATION THAT IS PROPRIETARY TO MOLEX INC. AND SHOULD NOT BE USED WITHOUT WRITTEN PERMISSION.		DWN. SIZE CP C	

PART NO.	ENG. NO.	DIMENSION	
		A	
089-00-2006	2589-ID-10	.48±.025 (12.2±.64)	
089-00-2022	2589-2C	.53±.025 (13.5±.64)	
089-00-2025	2589-2H	.656±.025 (16.66±.64)	
089-00-2027	2589-2J-10	.562±.025 (14.27±.64)	
089-00-2041	2589-3B	.48±.025 (12.2±.64)	
089-00-2047	2589-6F	.375±.015 (9.53±.38)	
089-00-2100	2589-10C	.48±.025 (12.2±.64)	
089-00-2101	2589-21A	.62±.025 (15.7±.64)	OBSOLETE
089-00-2103	2589-23	.62±.025 (15.7±.64)	



FOR THE REMAINDER
OF DIMENSIONS AND
DETAILS SEE SHEET I

2589-23



FOR THE REMAINDER
OF DIMENSIONS AND
DETAILS SEE SHEET I

2589-21A **OBSOLETE**

LTR.		REVISIONS		LTR.		REVISIONS	
AA	SEE SHEET I	Z	SEE SHEET I	X	SEE SHEET I		
AB	SEE SHEET I						

DIMENSIONS SHOWN (METRIC) INCH UNLESS OTHERWISE SPECIFIED TOLERANCES: ANGULAR ± .5°		▽ = 0 ▼ = 0		REVISE ONLY ON CAD SYSTEM	
INCH METRIC		TITLE		MOUNTING CLIP	
3 PLACE ± .010	---	MOLEX INCORPORATED		SHEET NO. 3	DATE 2/24/93
2 PLACE ± .014 ± 0.25	---	L15LEJLL 69532 U.S.A.			
1 PLACE --- ± 0.35	---	PART NO. SD2589X3		DRWG. NO. SD-2589-*	
DRAWN BY RHR		CHK'D BY ESS		FILE NAME SD2589X3	
APP'D BY RAS		SCALE 2: 1		THIS DRAWING CONTAINS INFORMATION THAT IS PROPRIETARY TO MOLEX INC. AND SHOULD NOT BE USED WITHOUT WRITTEN PERMISSION.	
				CP	C

MFG. SH. REV.

CP C