

PLEASE CHECK WWW.MOLEX.COM FOR LATEST PART INFORMATION

Part Number: **0190740009**
Status: **Active**
Description: Krimptite™ Steel Star Ring Tongue Terminal for 18-22 AWG Wire, Stud Size 6

Documents:

[Drawing \(PDF\)](#) [RoHS Certificate of Compliance \(PDF\)](#)

Agency Certification

CSA LR18689
 UL E32244

General

Product Family Ring and Spade Terminals
 Series 19074
 Crimp Quality Equipment Yes
 Mil-Spec N/A
 Product Name Krimptite™
 Type Ring

Physical

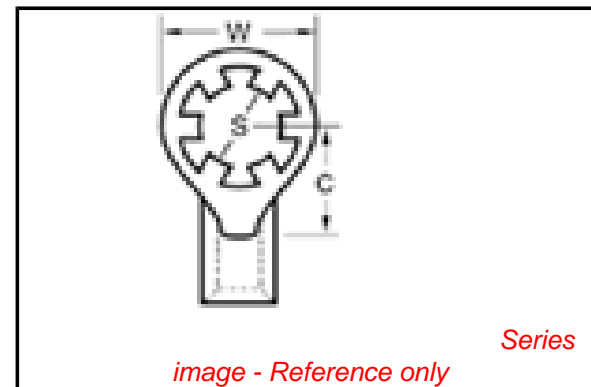
Barrel Type Closed
 Insulation None
 Material - Plating Mating Tin
 Packaging Type Bag
 Stud Size 6 (M3.5)
 Wire Size AWG 18, 20, 22
 Wire Size mm² 0.30 - 1.00

Material Info

Old Part Number SRA-S-129-06

Reference - Drawing Numbers

Sales Drawing CD1115



EU RoHS

ELV and RoHS Compliant
REACH SVHC Contains SVHC: No
Halogen-Free Status
Not Reviewed

China RoHS



Need more information on product environmental compliance?

Email productcompliance@molex.com
 For a multiple part number RoHS Certificate of Compliance, [click here](#)

Please visit the [Contact Us](#) section for any non-product compliance questions.

Search Parts in this Series

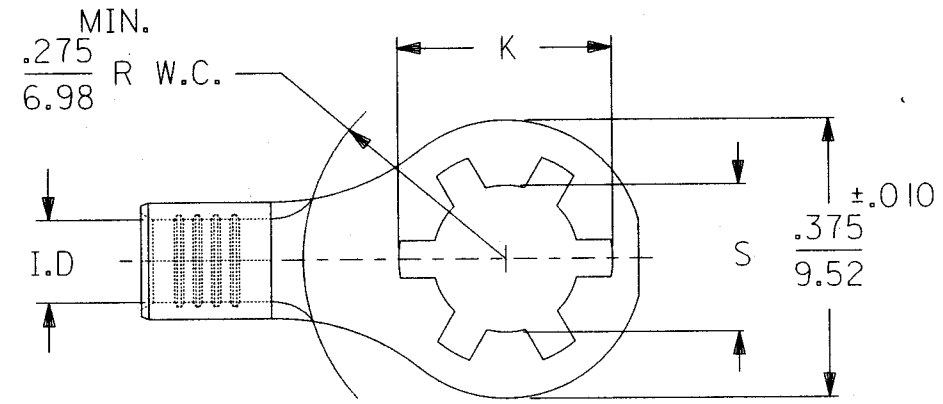
19074Series

Application Tooling | [FAQ](#)

Tooling specifications and manuals are found by selecting the products below. Crimp Height Specifications are then contained in the Application Tooling Specification document.

Global

| Description | Product # |
|--|----------------------------|
| Hand Crimp Tool | 0640031200 |
| Crimp Head for the AT-200™ Pneumatic Hand Tool | 0640071200 |



| STUD SIZE | ±.007 "S" DIA. | REF. "K" DIA. |
|-----------|----------------|---------------|
| #6 | .146 | .236 |
| #8 | .173 | .263 |
| #10 | .198 | .288 |

D

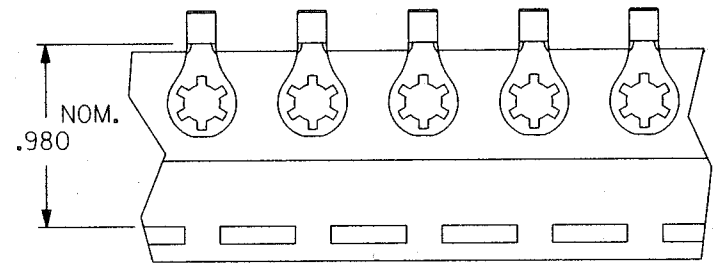
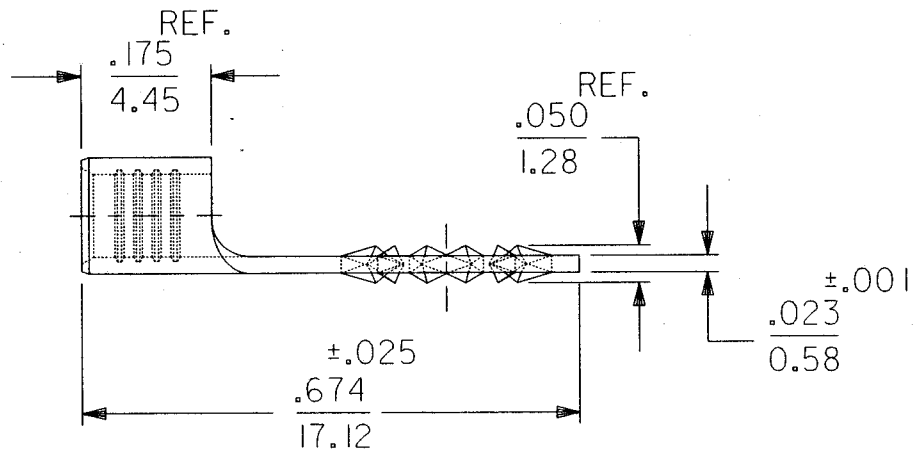
D

C

C

B

B



TO ORDER PARTS ON TAPE ADD A "T" TO THE END OF THE PART NUMBER

TERMINAL MATERIAL: SEE CHART
TERMINAL PLATING: ELECTRO-TIN

| PART NO. BRASS | PART NO. STEEL | WIRE RANGE AWG / MM ² | I.D. MIN. |
|----------------|----------------|----------------------------------|---------------|
| SRA-129- | SRA-S-129- | 22-18/.25-1.3 | .073/1.85 (B) |
| SRB-129- | SRB-S-129- | 16-14/1.0-2.6 | .100/2.54 (B) |

| | |
|------|---|
| B | ETC2005-1112 ID TYPO RWD 05/01/05 |
| A | SEE DCN# 764 10/07/91 RCM |
| LTR. | REVISIONS |

A

A

REVISE ONLY ON CAD SYSTEM

TITLE
KRIMPTITE
STAR RING TONGUE
TERMINALS

SALES
DRAWING

| | |
|-----------|-------|
| DRWG. BY | RCM |
| CHK'D. BY | JM |
| APP'D. BY | FP |
| SCALE | NO:NE |

moLEX ETC INC.
PINELLAS PARK, FLA. 34665 U.S.A.

PART NO. SEE TABLE

DRWG. NO. CD-1115

SHEET NO. DATE 09/05/91

FILE NAME CD1115 THIS DRAWING CONTAINS INFORMATION THAT IS PROPRIETARY TO MOLEX-ETC INC. AND SHOULD NOT BE USED WITHOUT WRITTEN PERMISSION. DIV. SIZE A