

**PLEASE CHECK WWW.MOLEX.COM FOR LATEST PART INFORMATION**

**Part Number:** [0190740018](#)  
**Status:** **Active**  
**Description:** Krimptite™ Star Ring Tongue Terminal for 14-16 AWG Wire, Stud Size 8, Mylar Tape Carrier

**Documents:**

[Drawing \(PDF\)](#) [RoHS Certificate of Compliance \(PDF\)](#)

**Agency Certification**

CSA LR18689  
 UL E32244

**General**

Product Family Ring and Spade Terminals  
 Series [19074](#)  
 Crimp Quality Equipment Yes  
 Mil-Spec N/A  
 Product Name Krimptite™  
 Type Ring

**Physical**

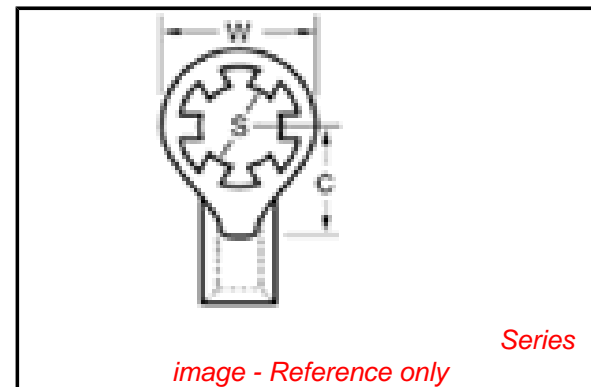
Barrel Type Closed  
 Insulation None  
 Material - Plating Mating Tin  
 Packaging Type Adhesive Tape on Reel  
 Stud Size 8 (M4)  
 Termination Interface: Style Crimp or Compression  
 Wire Size AWG 14, 16  
 Wire Size mm<sup>2</sup> 1.00 - 2.60

**Material Info**

Old Part Number SRB-129-08T

**Reference - Drawing Numbers**

Sales Drawing SD-19074-001



**EU RoHS**

**ELV and RoHS Compliant**  
**REACH SVHC**  
 Not Reviewed  
**Halogen-Free Status**  
 Not Reviewed

**China RoHS**



**Need more information on product environmental compliance?**

Email [productcompliance@molex.com](mailto:productcompliance@molex.com)  
 For a multiple part number RoHS Certificate of Compliance, [click here](#)

Please visit the [Contact Us](#) section for any non-product compliance questions.

**Search Parts in this Series**

[19074Series](#)

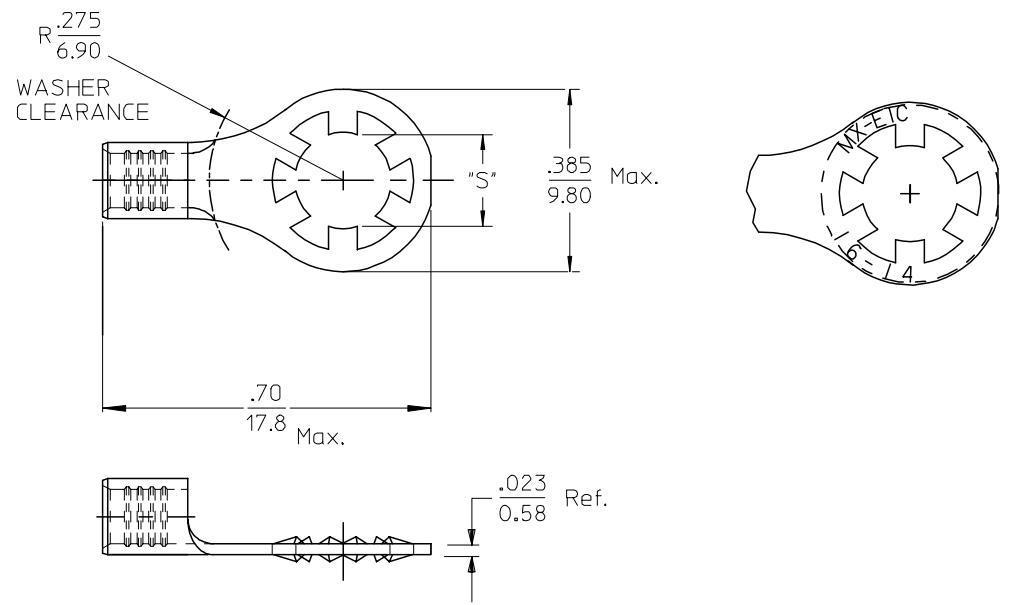
**Application Tooling | [FAQ](#)**

*Tooling specifications and manuals are found by selecting the products below. Crimp Height Specifications are then contained in the Application Tooling Specification document.*

**Global**

Description	Product #
ATP Perishable Tool Kit used in ATP presses that process product on tape	<a href="#">0190270184</a>

MATERIAL NO.	ENG. NO.	STUD SIZE	"S" DIA.
190740015	SRB-129-06	6	.146
190740017	SRB-129-08	8	.173
190740019	SRB-129-10	10	.198



MATERIAL: BRASS  
FINISH: ELECTRO-TIN PLATING

INITIAL RELEASE  
EC NO: ETC2006-0358  
DRWN: JSCHOOLEY 2006/04/10  
CHKDR: DEROSS 2006/04/12  
APPR: RDEROSS 2006/04/13

REV	DESCRIPTION
A	

	QUALITY SYMBOLS	
4 PLACES	± .010	± .005
3 PLACES	± .013	± .01
2 PLACES	± 0.25	± .01
1 PLACE	± 0.25	± .01
ANGULAR ±1/2°		

GENERAL TOLERANCES (UNLESS SPECIFIED)	
mm	INCH
± .010	± .005
± .013	± .01
± 0.25	± .01

DIMENSION STYLE	SCALE	DESIGN UNITS	THIRD ANGLE PROJECTION
IN/MM	4:1	INCH	
DRAWN BY	DATE	TITLE	
JBS	2006/04/05	LOCKING RING TONGUE TERMINAL 16-14 AWG	
CHECKED BY	DATE	MOLEX INCORPORATED	
R DEROSS	2006/04/05	MATERIAL NO. SEE CHART	
APPROVED BY	DATE	DOCUMENT NO.	SHEET NO.
R DEROSS	2006/04/05	SD-19074-001	1 OF 1
THIS DRAWING CONTAINS INFORMATION THAT IS PROPRIETARY TO MOLEX INCORPORATED AND SHOULD NOT BE USED WITHOUT WRITTEN PERMISSION			