

PLEASE CHECK WWW.MOLEX.COM FOR LATEST PART INFORMATION

Part Number: [0190750021](#)
Status: **Active**
Description: InsulKrimp™ Steel Star Ring Tongue Terminal for 14-16 AWG Wire, Stud Size 8

Documents:

[Drawing \(PDF\)](#) [RoHS Certificate of Compliance \(PDF\)](#)

Agency Certification

CSA LR18689
 UL E32244

General

Product Family Ring and Spade Terminals
 Series [19075](#)
 Crimp Quality Equipment Yes
 Mil-Spec N/A
 Product Name InsulKrimp™
 Type Ring

Physical

Barrel Type Closed
 Color - Resin Natural
 Flammability 94V-2
 Insulation PVC
 Material - Plating Mating Tin
 Packaging Type Bag
 Stud Size 8 (M4)
 Wire Insulation Diameter 4.45mm (.175")
 Wire Size AWG 14, 16
 Wire Size mm² 1.00 - 2.60

Material Info

Old Part Number SRB-S-229-08X

Reference - Drawing Numbers

Sales Drawing CD2115

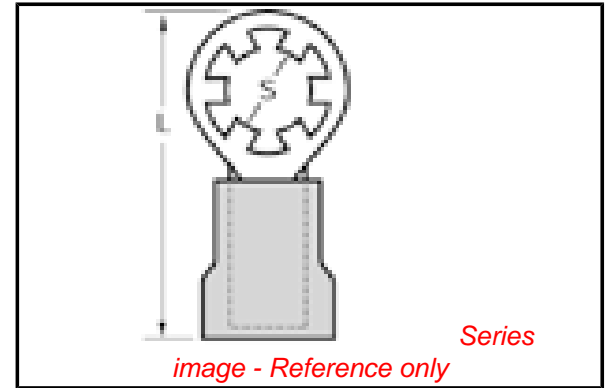


image - Reference only

EU RoHS

ELV and RoHS Compliant
REACH SVHC
 Not Reviewed
Halogen-Free Status
 Not Reviewed

China RoHS



Need more information on product environmental compliance?

Email productcompliance@molex.com
 For a multiple part number RoHS Certificate of Compliance, [click here](#)

Please visit the [Contact Us](#) section for any non-product compliance questions.

Search Parts in this Series

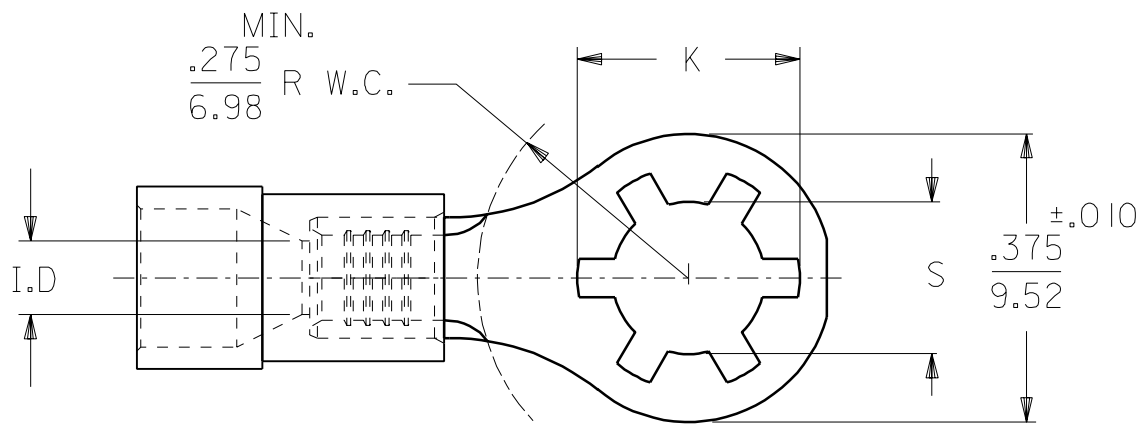
[19075Series](#)

Application Tooling | [FAQ](#)

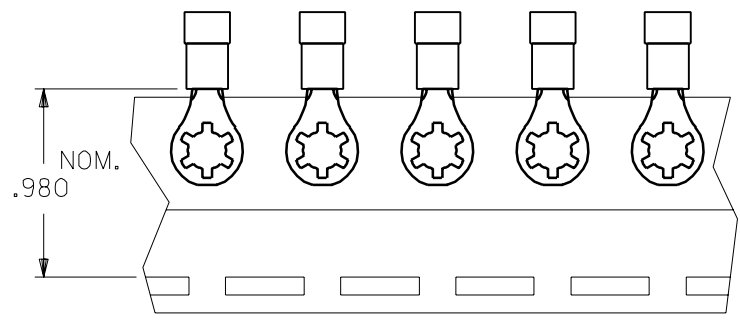
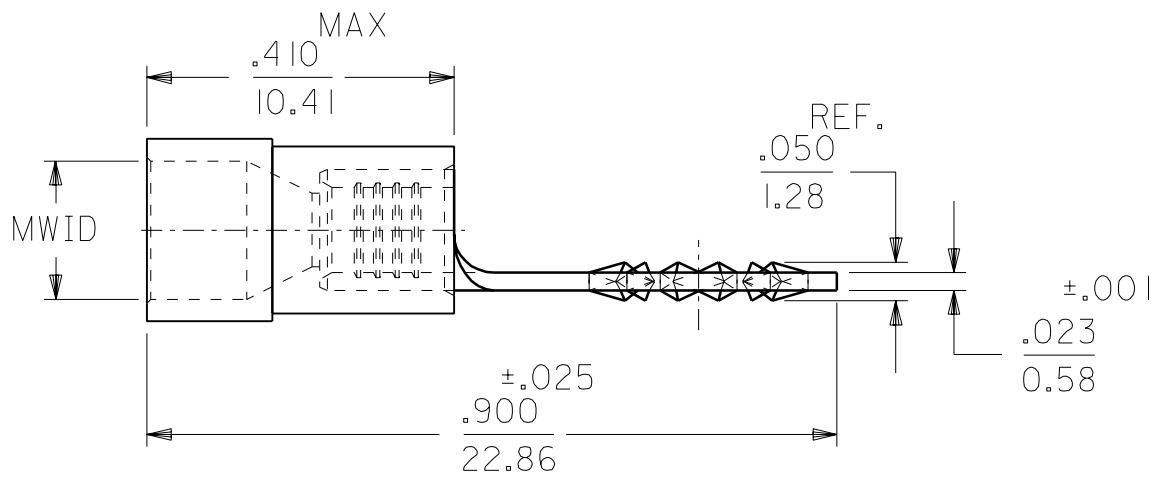
Tooling specifications and manuals are found by selecting the products below. Crimp Height Specifications are then contained in the Application Tooling Specification document.

Global

| Description | Product # |
|--|----------------------------|
| Hand Crimp Tool | 0640011900 |
| Crimp Head for the AT-200™ Pneumatic Hand Tool | 0640051900 |



| STUD SIZE | ±.007 "S" DIA. | REF. "K" DIA. |
|-----------|----------------|---------------|
| #6 | .146 | .236 |
| #8 | .173 | .263 |
| #10 | .198 | .288 |



TO ORDER PARTS ON TAPE ADD A "T" TO THE END OF THE PART NUMBER

INSULATION MATERIAL: PVC
 INSULATION COLOR: SEE TABLE
 TERMINAL MATERIAL: SEE CHART
 TERMINAL PLATING: ELECTRO-TIN

MWID=MAXIMUM WIRE INSULATION DIAMETER

| PART NO. BRASS | PART NO. STEEL | WIRE RANGE AWG / MM ² | INSULATION COLOR | I.D. MIN. | MWID * |
|----------------|----------------|----------------------------------|------------------|-----------|-----------|
| SRA-229- | SRA-S-229- | 22-18/.25-1.3 | RED | .062/1.57 | .145/3.68 |
| SRB-229- | SRB-S-229- | 16-14/1.0-2.6 | BLUE | .086/2.18 | .175/4.42 |

| | |
|------|---------------------------------|
| A | SEE DCN# 764 10/07/91 RCM |
| LTR. | REVISIONS |

REVISE ONLY ON CAD SYSTEM
 TITLE
 INSULKRIMP
 STAR RING TONGUE
 TERMINALS

**CUSTOMER
DRAWING**

| | | | |
|--------------|---|--|-------------|
| DRWG. BY RCM | molex ETC INC. PINELLAS PARK, FLA. 34665 U.S.A. | SHEET NO. | DATE |
| CHK'D. BY JM | | | 09/05/91 |
| APP'D. BY FP | PART NO. SEE TABLE | DRWG. NO. CD-2115 | |
| SCALE NO:NE | FILE NAME CD2115 | THIS DRAWING CONTAINS INFORMATION THAT IS PROPRIETARY TO MOLEX-ETC INC. AND SHOULD NOT BE USED WITHOUT WRITTEN PERMISSION. | DIV. SIZE A |