

PLEASE CHECK WWW.MOLEX.COM FOR LATEST PART INFORMATION

Part Number: [0365040049](#)
Status: **Active**
Overview: [din_41612](#)
Description: 2.54mm (.100") Pitch C Style Male Header, Right Angle, Through Hole, 0.3 μm(12μ") Selective Gold (Au), 96 Circuits, First-Mate-Last-Break Pins, with Mounting Clips, Lead Free

Documents:

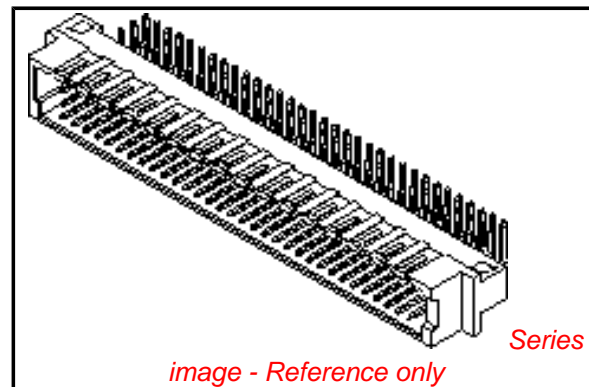
[3D Model](#) [Product Specification PS-36502-001 \(PDF\)](#)
[Drawing \(PDF\)](#) [RoHS Certificate of Compliance \(PDF\)](#)

General

Product Family	Backplane Connectors
Series	36504
Application	Daughtercard
Comments	With Mounting Clips, with Premating Contact Positions
Component Type	PCB Header
Overview	din_41612
Product Name	IEC 603-2/DIN 41612
Style	C

Physical

Circuits (Loaded)	96
Circuits (maximum)	96
Circuits Detail	Standard Contacts at: a2-a31; b2-b31; c2-c31 . Premating Contacts at:a1,a32,c1,c32
Color - Resin	Gray
Durability (mating cycles max)	50
First Mate / Last Break	No
Guide to Mating Part	No
Keying to Mating Part	Yes
Material - Metal	Brass
Material - Plating Mating	Gold
Material - Plating Termination	Tin
Material - Resin	Polyester
Number of Columns	32
Number of Pairs	Open Pin Field
Number of Rows	3
Orientation	Right Angle
PC Tail Length (in)	0.118 In
PC Tail Length (mm)	3.00 mm
PCB Locator	No
PCB Retention	Yes
PCB Thickness Recommended (in)	0.062 In
PCB Thickness Recommended (mm)	1.60 mm
Packaging Type	Carton
Pitch - Mating Interface (in)	0.100 In
Pitch - Mating Interface (mm)	2.54 mm
Pitch - Term. Interface (in)	0.100 In
Pitch - Term. Interface (mm)	2.54 mm
Plating min: Mating (μin)	12
Plating min: Mating (μm)	0.30
Plating min: Termination (μin)	98
Plating min: Termination (μm)	2.5
Polarized to PCB	Yes
Stackable	No



EU RoHS

**ELV and RoHS
Compliant**
**REACH SVHC
Not Reviewed**
**Halogen-Free
Status
Not Reviewed**

China RoHS



**Need more information on product
environmental compliance?**

Email productcompliance@molex.com
For a multiple part number RoHS Certificate of Compliance, [click here](#)

Please visit the [Contact Us](#) section for any non-product compliance questions.

Search Parts in this Series

36504Series

Surface Mount Compatible (SMC)	No
Temperature Range - Operating	-55°C to +125°C
Termination Interface: Style	Through Hole

Electrical

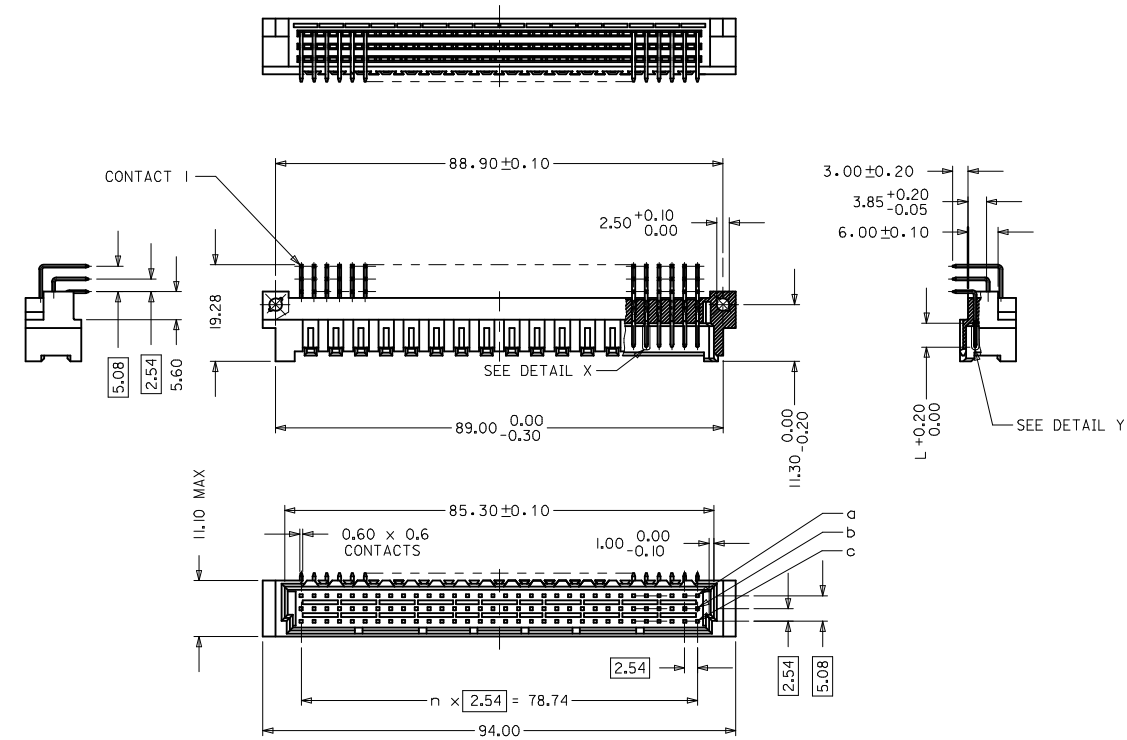
Current - Maximum per Contact	1.5A
Data Rate	622.0 Mbps
Voltage - Maximum	250V AC (RMS)

Material Info**Reference - Drawing Numbers**

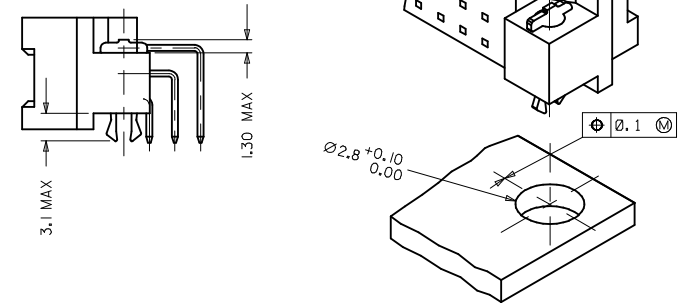
Packaging Specification	PK-36504-001
Product Specification	PS-36502-001
Sales Drawing	SD-36504-004

This document was generated on 05/13/2010

PLEASE CHECK WWW.MOLEX.COM FOR LATEST PART INFORMATION



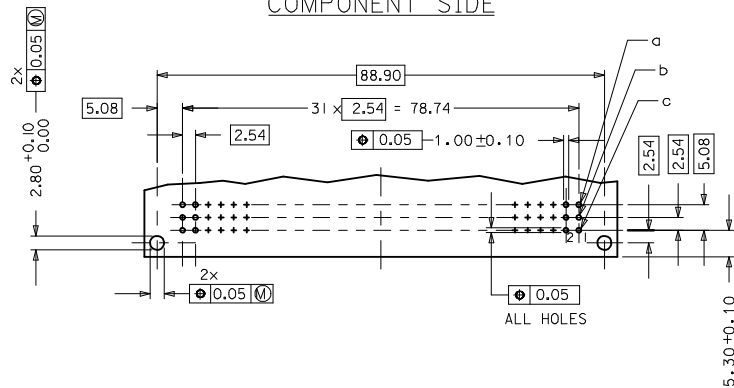
WITH MOUNTING CLIPS



NOTES:

- 1) MATERIAL : THERMOPLASTIC POLYESTER, GLASS FILLED
UL94 V-0, COLOR : PEBBLE GREY RAL 7032
TERMINAL - BRASS
MOUNTING CLIP : STEEL
- 2) FINISH : TERMINAL CONTACT AREA
1) PERFORMANCE LEVEL 3: SELECTIVE GOLD (Au), THICKNESS = 0.3 MICROMETER
OVER NICKEL, THICKNESS = 1.25 MICROMETER
TERMINATION AREA:
SELECTIVE TIN, THICKNESS = 2.5 MICROMETER
OVER NICKEL, THICKNESS = 1.25 MICROMETER OVERALL
- 3) MOUNTING CLIP :
TIN (Sn), THICKNESS = 5-10 MICROMETER
OVER NICKEL (Ni) THICKNESS = 2.5 MICROMETER
- 4) FOR NON MOUNTING CLIP OPTION, CONNECTOR TO BE SECURED WITH RIVETS : 2 TUBULAR RIVETS 2.5 X 0.3 ... DIN 7340
SCREWS : 2 CHEESEHEAD SCREWS M2.5 X ... DIN 84 AND HEXAGONAL NUTS M2.5 DIN 934
- 5) MATERIAL NUMBER, BATCH CODE, UL AND CSA MARKING TO BE PRINTED ON THE CONNECTOR
- 6) CUT FACE OF TIP WITHOUT PLATING PERMITTED
- 7) PRODUCT SPECIFICATION PS: 36502-001

RECOMMENDED PCB LAYOUT
COMPONENT SIDE

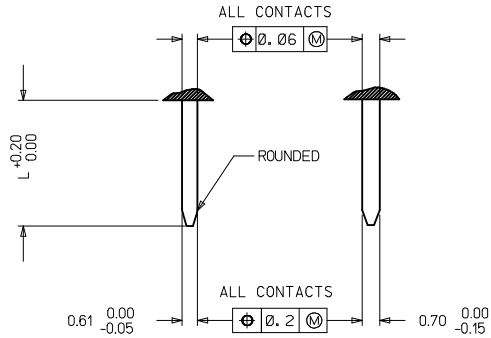


RoHS COMPLIANT

EC NO: I2009-0311 DRAWN BY: DRWNPJT CHKD BY: HARSR APPR: SPANDI DATE: 2009/02/03	QUALITY SYMBOLS ▽ 0 ▽ - 0	GENERAL TOLERANCES (UNLESS SPECIFIED)		SCALE: 1:1	DESIGN UNITS: METRIC	THIRD ANGLE PROJECTION	REVISE ON CAD ONLY
		DIMENSION STYLE: MM ONLY		TITLE: ASSEMBLY, DIN 41612 C MALE, 96 POS CODING	MATERIAL NO. MOLEX INCORPORATED		
B2	DESCRIPTION	4 PLACES ± --- ± ---	DRAWN BY: SHIVA	DATE: 2004/05/17	MATERIAL NO. MOLEX INCORPORATED		
		3 PLACES ± --- ± ---	CHECKED BY: KPRASAD	DATE: 2004/05/17	DOCUMENT NO. SD-36504-004		
		2 PLACES ± 0.15 ± ---	APPROVED BY: DATHA	DATE: 2004/05/17	SHEET NO. 1 OF 2		
		1 PLACE ± 0.2 ± ---	DRAFT WHERE APPLICABLE		THIS DRAWING CONTAINS INFORMATION THAT IS PROPRIETARY TO MOLEX INCORPORATED AND SHOULD NOT BE USED WITHOUT WRITTEN PERMISSION		
		ANGULAR ± 2 °	MUST REMAIN WITHIN DIMENSIONS		A1		

20	19	18	17	16	15	14	13	12	11	10	9	8	7	6	5	4	3	2	1
MATERIAL NUMBER	PERF LEVEL	PLATING	STD. CONTACT SEQUENCE/ROW	PREMATING CONTACT POS.	MOUNTING CLIP														
36504-0049	3	Au+Ni	a2-31, b1-32, c2-31	a1, a32, c1, c32	YES														

DETAILY DETAILX



PRE MATING CONTACTS	5.4
NORMAL CONTACTS	4.8
	L

RoHS COMPLIANT

EC NO: 12009-0311 DRAWN BY: DRWNPJT 2009/02/02 CHKD BY: HARSRANI 2009/02/02 APPR: SPANDI 2009/02/03	QUALITY SYMBOLS ▽ 0 ▽ -0	GENERAL TOLERANCES (UNLESS SPECIFIED)		SCALE 1:1	DESIGN UNITS METRIC	THIRD ANGLE PROJECTION	REVISE ON CAD ONLY
		mm	INCH	DIMENSION STYLE MM ONLY		TITLE ASSEMBLY, DIN 41612 C MALE, 96 POS CODING	
B2	DESCRIPTION	4 PLACES ± --- ± ---	DRAWN BY SHIVA	DATE 2004/05/17	MATERIAL NO. 36504-0049		
		3 PLACES ± --- ± ---	CHECKED BY KPRASAD	DATE 2004/05/17	DOCUMENT NO. SD-36504-004		
		2 PLACES ± 0.15 ± ---	APPROVED BY DATHA	DATE 2004/05/17	SHEET NO. 2 OF 2		
		1 PLACE ± 0.2 ± ---	ANGULAR ± 2 °		THIS DRAWING CONTAINS INFORMATION THAT IS PROPRIETARY TO MOLEX INCORPORATED AND SHOULD NOT BE USED WITHOUT WRITTEN PERMISSION		
		DRAFT WHERE APPLICABLE		MUST REMAIN WITHIN DIMENSIONS			