

PLEASE CHECK WWW.MOLEX.COM FOR LATEST PART INFORMATION

Part Number: [0395272006](#)
Status: **Active**
Description: 5.00mm (.197") Pitch Eurostyle™ Vertical Plug, with Retention Screws, Rear Wire Entry, 6 Circuits

Documents:

[3D Model](#) [Product Specification PS-39500-001 \(PDF\)](#)
[Drawing \(PDF\)](#) [RoHS Certificate of Compliance \(PDF\)](#)

General

| | |
|-----------------------------|---------------------------|
| Product Family | Terminal Blocks |
| Series | 39527 |
| Application | Wire-to-Board |
| Comments | Rear Wire Entry |
| Component Type | Plug |
| Product Literature Order No | USA-355 |
| Product Name | ESE, Eurostyle™ Pluggable |
| Type | Euro Block |

Physical

| | |
|-------------------------------|--------------------------------|
| Circuits (Loaded) | 6 |
| Entry Angle | Horizontal |
| Lock to Mating Part | Yes |
| Number of Rows | 1 |
| Orientation | Vertical |
| Panel Mount | No |
| Pitch - Mating Interface (in) | 0.197 In |
| Pitch - Mating Interface (mm) | 5.00 mm |
| Polarized to Mating Part | Yes |
| Stackable | No |
| Temperature Range - Operating | -40°C to +105°C |
| Wire Size AWG | 12, 14, 16, 18, 20, 22, 24, 26 |
| Wire Size mm² | 0.13 - 3.31 |

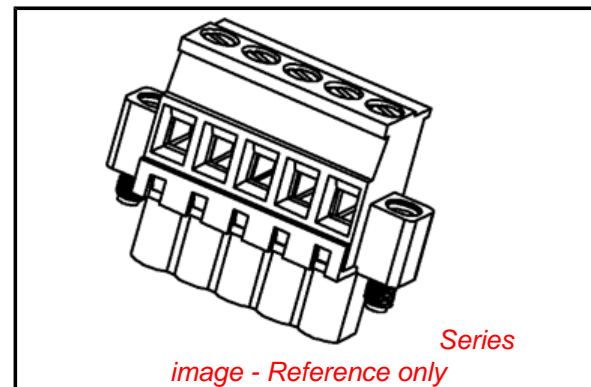
Electrical

| | |
|-------------------------------|------|
| Current - Maximum per Contact | 10A |
| Voltage - Maximum | 300V |

Material Info

Reference - Drawing Numbers

| | |
|-----------------------|--------------|
| Product Specification | PS-39500-001 |
| Sales Drawing | SD-39527-002 |



EU RoHS

**ELV and RoHS
Compliant**
REACH SVHC
 Not Reviewed
**Halogen-Free
Status**
 Not Reviewed

China RoHS



**Need more information on product
environmental compliance?**

Email productcompliance@molex.com
 For a multiple part number RoHS Certificate of Compliance, [click here](#)

Please visit the [Contact Us](#) section for any non-product compliance questions.

Search Parts in this Series

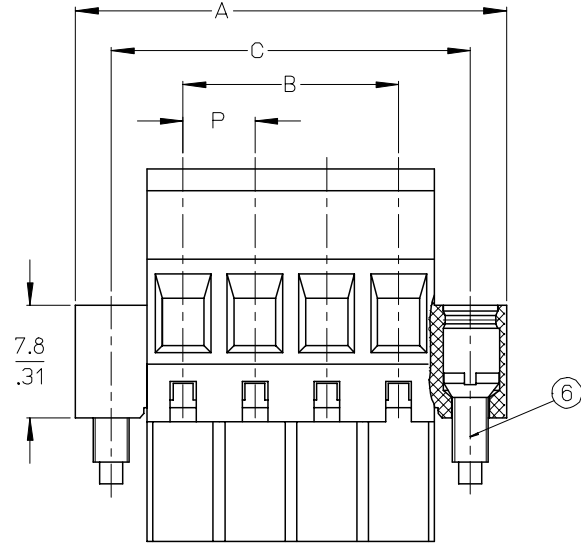
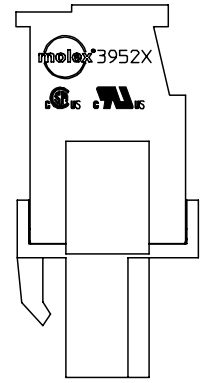
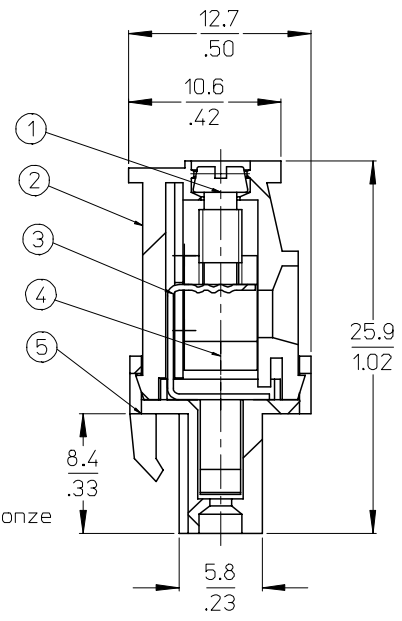
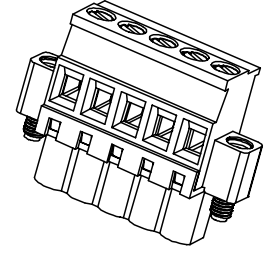
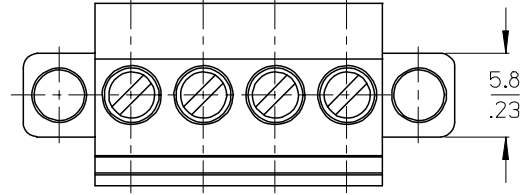
[39527Series](#)

Mates With

Most 5.00mm (.197") Pitch Industry Standard PCB Headers, [39525](#) Vertical PCB Header with Threaded Retention Inserts, [39526](#) Horizontal PCB Header with Threaded Retention Inserts

10 9 8 7 6 5 4 3 2 1

F
E
D
C
B
A



SPECIFICATIONS

1. Material:
 - (1). Screw: Steel
 - (2). Body: PA66
 - (3). Terminal: Phosphor Bronze
 - (4). Cage: Brass
 - (5). Cover: PA66
 - (6). Screw: Steel
2. Wire range: 12 - 26AWG
3. Electrical rating: 300V, 10A.
4. Wire strip length: 5.0mm.
5. Operating temperature: -40°C to +105°C.
6. Max torque: 3 in-lbs.
7. Insulation resistance: DC 500V, 500 Megohms.
8. Dielectric withstand: AC 2500V for 1 minute
9. Breakdown voltage: 4000V
10. Contact resistance: <10 milliohms
11. DIM. A = (N + 2)X P
12. DIM. B = (N - 1)X P
13. DIM. C = (N + 1)X P
14. DIM. P (PITCH) = 5.00mm (.197")
15. N = Number of positions available 2 through 24.
16. ALL COMPONENTS ARE ROHS COMPLIANT.

| | | | | | | | | | | |
|--|-------------------------------|---|------------|-----------------|--------------------|------------|---|------------------------|--------|--|
| RELEASE TO PROD ETC NO: ETC2006-0308 DRWN: C.YORK 2006/03/23 CHKD: R.ROSS 2006/03/24 APPR: R.ROSS 2006/03/24 | QUALITY SYMBOLS ▽=0 ▽=0 | GENERAL TOLERANCES (UNLESS SPECIFIED) | | DIMENSION STYLE | | SCALE | DESIGN UNITS | THIRD ANGLE PROJECTION | | |
| | | | mm | INCH | MM/IN | | 3:1 | INCH | | |
| | | 4 PLACES | ± --- | ±.0015 | DRAWN BY | DATE | TITLE | | | |
| | | 3 PLACES | ±0.038 | ±.005 | C. YORK | 2006/03/16 | 5.0MM, EURO PLUG, VERTICAL, FRONT WIRE ENTRY WITH MOUNTING ENDS | | | |
| 2 PLACES | ±0.13 | ±.01 | CHECKED BY | DATE | | | | | | |
| 1 PLACE | ±0.3 | ± --- | R. DEROSS | 2006/03/16 | MOLEX INCORPORATED | | | | | |
| ANGULAR ± 2 ° | | APPROVED BY | | DATE | DOCUMENT NO. | | | | | |
| DRAFT WHERE APPLICABLE MUST REMAIN WITHIN DIMENSIONS | | R. DEROSS | | 2006/03/16 | SEE SHT. 2 | | SD-39527-002 | SHEET NO. | | |
| SIZE B | | THIS DRAWING CONTAINS INFORMATION THAT IS PROPRIETARY TO MOLEX INCORPORATED AND SHOULD NOT BE USED WITHOUT WRITTEN PERMISSION | | | | | | | 1 OF 2 | |

9 8 7 6 5 4 3 2 1

10 9 8 7 6 5 4 3 2 1

F

E

D

C

B

A

| Description | Circuit size | Material Numbers | | | | | | | | | | | Dimensional Information | | | | | | | | |
|---|--------------|------------------|-----------|-----------|------------|-----------|------------------|-----------|-----------|-----------|------------|------------------|-------------------------|-------|------|-------|------|-------|-------|------|----|
| | | Black | | | | | | Green | | | | | Dim A | | | Dim B | | | Dim C | | |
| | | 100% Tin | | | 30 u' Gold | | | 100% Tin | | | 30 u' Gold | | mm | | inch | | mm | | inch | | |
| | | Printing Options | | None | 10AV | 11AV | Printing Options | | None | 10AV | 11AV | Printing Options | | None | 10AV | 11AV | mm | inch | mm | inch | mm |
| 5.0mm, Euro Plug, Vertical FWE, Mounting Ends | 2 | 395272002 | 395272302 | 395272402 | 395272502 | 395272602 | 395272902 | 395277002 | 395277302 | 395277402 | 395277502 | 395277602 | 395277902 | 20.0 | 0.79 | 5.0 | 0.20 | 15.0 | 0.59 | | |
| 5.0mm, Euro Plug, Vertical FWE, Mounting Ends | 3 | 395272003 | 395272303 | 395272403 | 395272503 | 395272603 | 395272903 | 395277003 | 395277303 | 395277403 | 395277503 | 395277603 | 395277903 | 25.0 | 0.98 | 10.0 | 0.39 | 20.0 | 0.79 | | |
| 5.0mm, Euro Plug, Vertical FWE, Mounting Ends | 4 | 395272004 | 395272304 | 395272404 | 395272504 | 395272604 | 395272904 | 395277004 | 395277304 | 395277404 | 395277504 | 395277604 | 395277904 | 30.0 | 1.18 | 15.0 | 0.59 | 25.0 | 0.98 | | |
| 5.0mm, Euro Plug, Vertical FWE, Mounting Ends | 5 | 395272005 | 395272305 | 395272405 | 395272505 | 395272605 | 395272905 | 395277005 | 395277305 | 395277405 | 395277505 | 395277605 | 395277905 | 35.0 | 1.38 | 20.0 | 0.79 | 30.0 | 1.18 | | |
| 5.0mm, Euro Plug, Vertical FWE, Mounting Ends | 6 | 395272006 | 395272306 | 395272406 | 395272506 | 395272606 | 395272906 | 395277006 | 395277306 | 395277406 | 395277506 | 395277606 | 395277906 | 40.0 | 1.58 | 25.0 | 0.98 | 35.0 | 1.38 | | |
| 5.0mm, Euro Plug, Vertical FWE, Mounting Ends | 7 | 395272007 | 395272307 | 395272407 | 395272507 | 395272607 | 395272907 | 395277007 | 395277307 | 395277407 | 395277507 | 395277607 | 395277907 | 45.0 | 1.77 | 30.0 | 1.18 | 40.0 | 1.58 | | |
| 5.0mm, Euro Plug, Vertical FWE, Mounting Ends | 8 | 395272008 | 395272308 | 395272408 | 395272508 | 395272608 | 395272908 | 395277008 | 395277308 | 395277408 | 395277508 | 395277608 | 395277908 | 50.0 | 1.97 | 35.0 | 1.38 | 45.0 | 1.77 | | |
| 5.0mm, Euro Plug, Vertical FWE, Mounting Ends | 9 | 395272009 | 395272309 | 395272409 | 395272509 | 395272609 | 395272909 | 395277009 | 395277309 | 395277409 | 395277509 | 395277609 | 395277909 | 55.0 | 2.17 | 40.0 | 1.58 | 50.0 | 1.97 | | |
| 5.0mm, Euro Plug, Vertical FWE, Mounting Ends | 10 | 395272010 | 395272310 | 395272410 | 395272510 | 395272610 | 395272910 | 395277010 | 395277310 | 395277410 | 395277510 | 395277610 | 395277910 | 60.0 | 2.36 | 45.0 | 1.77 | 55.0 | 2.17 | | |
| 5.0mm, Euro Plug, Vertical FWE, Mounting Ends | 11 | 395272011 | 395272311 | 395272411 | 395272511 | 395272611 | 395272911 | 395277011 | 395277311 | 395277411 | 395277511 | 395277611 | 395277911 | 65.0 | 2.56 | 50.0 | 1.97 | 60.0 | 2.36 | | |
| 5.0mm, Euro Plug, Vertical FWE, Mounting Ends | 12 | 395272012 | 395272312 | 395272412 | 395272512 | 395272612 | 395272912 | 395277012 | 395277312 | 395277412 | 395277512 | 395277612 | 395277912 | 70.0 | 2.76 | 55.0 | 2.17 | 65.0 | 2.56 | | |
| 5.0mm, Euro Plug, Vertical FWE, Mounting Ends | 13 | 395272013 | 395272313 | 395272413 | 395272513 | 395272613 | 395272913 | 395277013 | 395277313 | 395277413 | 395277513 | 395277613 | 395277913 | 75.0 | 2.95 | 60.0 | 2.36 | 70.0 | 2.76 | | |
| 5.0mm, Euro Plug, Vertical FWE, Mounting Ends | 14 | 395272014 | 395272314 | 395272414 | 395272514 | 395272614 | 395272914 | 395277014 | 395277314 | 395277414 | 395277514 | 395277614 | 395277914 | 80.0 | 3.15 | 65.0 | 2.56 | 75.0 | 2.95 | | |
| 5.0mm, Euro Plug, Vertical FWE, Mounting Ends | 15 | 395272015 | 395272315 | 395272415 | 395272515 | 395272615 | 395272915 | 395277015 | 395277315 | 395277415 | 395277515 | 395277615 | 395277915 | 85.0 | 3.35 | 70.0 | 2.76 | 80.0 | 3.15 | | |
| 5.0mm, Euro Plug, Vertical FWE, Mounting Ends | 16 | 395272016 | 395272316 | 395272416 | 395272516 | 395272616 | 395272916 | 395277016 | 395277316 | 395277416 | 395277516 | 395277616 | 395277916 | 90.0 | 3.54 | 75.0 | 2.95 | 85.0 | 3.35 | | |
| 5.0mm, Euro Plug, Vertical FWE, Mounting Ends | 17 | 395272017 | 395272317 | 395272417 | 395272517 | 395272617 | 395272917 | 395277017 | 395277317 | 395277417 | 395277517 | 395277617 | 395277917 | 95.0 | 3.74 | 80.0 | 3.15 | 90.0 | 3.54 | | |
| 5.0mm, Euro Plug, Vertical FWE, Mounting Ends | 18 | 395272018 | 395272318 | 395272418 | 395272518 | 395272618 | 395272918 | 395277018 | 395277318 | 395277418 | 395277518 | 395277618 | 395277918 | 100.0 | 3.94 | 85.0 | 3.35 | 95.0 | 3.74 | | |
| 5.0mm, Euro Plug, Vertical FWE, Mounting Ends | 19 | 395272019 | 395272319 | 395272419 | 395272519 | 395272619 | 395272919 | 395277019 | 395277319 | 395277419 | 395277519 | 395277619 | 395277919 | 105.0 | 4.13 | 90.0 | 3.54 | 100.0 | 3.94 | | |
| 5.0mm, Euro Plug, Vertical FWE, Mounting Ends | 20 | 395272020 | 395272320 | 395272420 | 395272520 | 395272620 | 395272920 | 395277020 | 395277320 | 395277420 | 395277520 | 395277620 | 395277920 | 110.0 | 4.33 | 95.0 | 3.74 | 105.0 | 4.13 | | |
| 5.0mm, Euro Plug, Vertical FWE, Mounting Ends | 21 | 395272021 | 395272321 | 395272421 | 395272521 | 395272621 | 395272921 | 395277021 | 395277321 | 395277421 | 395277521 | 395277621 | 395277921 | 115.0 | 4.53 | 100.0 | 3.94 | 110.0 | 4.33 | | |
| 5.0mm, Euro Plug, Vertical FWE, Mounting Ends | 22 | 395272022 | 395272322 | 395272422 | 395272522 | 395272622 | 395272922 | 395277022 | 395277322 | 395277422 | 395277522 | 395277622 | 395277922 | 120.0 | 4.72 | 105.0 | 4.13 | 115.0 | 4.53 | | |
| 5.0mm, Euro Plug, Vertical FWE, Mounting Ends | 23 | 395272023 | 395272323 | 395272423 | 395272523 | 395272623 | 395272923 | 395277023 | 395277323 | 395277423 | 395277523 | 395277623 | 395277923 | 125.0 | 4.92 | 110.0 | 4.33 | 120.0 | 4.72 | | |
| 5.0mm, Euro Plug, Vertical FWE, Mounting Ends | 24 | 395272024 | 395272324 | 395272424 | 395272524 | 395272624 | 395272924 | 395277024 | 395277324 | 395277424 | 395277524 | 395277624 | 395277924 | 130.0 | 5.12 | 115.0 | 4.53 | 125.0 | 4.92 | | |

| | | | | | | | | | |
|---|-------------------------------|---------------------------------------|------------------------------|--------------------------|--------------------|--|----------------------|------------------------|--|
| SEE SHEET 1 EC NO: ETC2006-0308 DRWNG: YORK 2006/03/12 CHKD: RDEROSS 2006/03/14 APPR: RDEROSS 2006/03/14 | QUALITY SYMBOLS ▽=0 ▽=0 | GENERAL TOLERANCES (UNLESS SPECIFIED) | | DIMENSION STYLE MM/IN | | SCALE 3:1 | DESIGN UNITS INCH | THIRD ANGLE PROJECTION | |
| | | 4 PLACES ± --- ±.0015 | 3 PLACES ±0.038 ±.005 | DRAWN BY C. YORK | DATE 2006/03/16 | TITLE 5.0MM, EURO PLUG, VERTICAL, FRONT WIRE ENTRY WITH MOUNTING ENDS | | | |
| | | 2 PLACES ±0.13 ±.01 | 1 PLACE ±0.3 ± --- | CHECKED BY R. DEROSS | DATE 2006/03/16 | | | | |
| | | ANGULAR ± 2 ° | | APPROVED BY R. DEROSS | DATE 2006/03/16 | MOLEX MOLEX INCORPORATED | | | |
| DRAFT WHERE APPLICABLE MUST REMAIN WITHIN DIMENSIONS | | MATERIAL NO. SEE CHART | DOCUMENT NO. SD-39527-002 | SHEET NO. 2 OF 2 | | | | | |
| THIS DRAWING CONTAINS INFORMATION THAT IS PROPRIETARY TO MOLEX INCORPORATED AND SHOULD NOT BE USED WITHOUT WRITTEN PERMISSION | | | | | | | | | |

9 8 7 6 5 4 3 2 1